

Table of Contents

Safety	2	Maintenance	10
Specifications	6	Parts List and Diagram	14
Setup	6	Warranty	16
Operation.....	7		



SAFETY

SETUP

OPERATION

MAINTENANCE

WARNING SYMBOLS AND DEFINITIONS	
	This is the safety alert symbol. It is used to alert you to potential personal injury hazards. Obey all safety messages that follow this symbol to avoid possible injury or death.
	Indicates a hazardous situation which, if not avoided, will result in death or serious injury.
	Indicates a hazardous situation which, if not avoided, could result in death or serious injury.
	Indicates a hazardous situation which, if not avoided, could result in minor or moderate injury.
	Addresses practices not related to personal injury.

IMPORTANT SAFETY INFORMATION

General Tool Safety Warnings

WARNING

Read all safety warnings and instructions.
Failure to follow the warnings and instructions may result in electric shock, fire and/or serious injury.
Save all warnings and instructions for future reference.

1. KEEP GUARDS IN PLACE and in working order.
2. REMOVE ADJUSTING KEYS AND WRENCHES. Form habit of checking to see that keys and adjusting wrenches are removed from tool before turning it on.
3. KEEP WORK AREA CLEAN. Cluttered areas and benches invite accidents.
4. DON'T USE IN DANGEROUS ENVIRONMENT. Don't use power tools in damp or wet locations, or expose them to rain. Keep work area well lighted.
5. KEEP CHILDREN AWAY. All visitors should be kept safe distance from work area.
6. MAKE WORKSHOP KID PROOF with padlocks, master switches, or by removing starter keys.
7. DON'T FORCE TOOL. It will do the job better and safer at the rate for which it was designed.
8. USE RIGHT TOOL. Don't force tool or attachment to do a job for which it was not designed.

General Tool Safety Warnings (cont.)

Table A: RECOMMENDED MINIMUM WIRE GAUGE FOR EXTENSION CORDS (120 VOLT)

NAMEPLATE AMPERES (at full load)	EXTENSION CORD LENGTH			
	25'	50'	100'	150'
0 – 6	18	16	16	14
6.1 – 10	18	16	14	12
10.1 – 12	16	16	14	12
12.1 – 16	14	12	Do not use.	

9. **USE PROPER EXTENSION CORD.** Make sure your extension cord is in good condition. When using an extension cord, be sure to use one heavy enough to carry the current your product will draw. An undersized cord will cause a drop in line voltage resulting in loss of power and overheating. Table A shows the correct size to use depending on cord length and nameplate ampere rating. If in doubt, use the next heavier gauge. The smaller the gauge number, the heavier the cord.
10. **WEAR PROPER APPAREL.** Do not wear loose clothing, neckties, rings, bracelets, or other jewelry which may get caught in moving parts. Nonslip footwear is recommended. Wear protective hair covering to contain long hair.
11. **ALWAYS USE SAFETY GLASSES.** Also use face or dust mask if cutting operation is dusty. Everyday eyeglasses only have impact resistant lenses, they are NOT safety glasses.
12. **SECURE WORK.** Use clamps or a vise to hold work when practical. It's safer than using your hand and it frees both hands to operate tool.
13. **DON'T OVERREACH.** Keep proper footing and balance at all times.
14. **MAINTAIN TOOLS WITH CARE.** Keep tools sharp and clean for best and safest performance. Follow instructions for lubricating and changing accessories.
15. **DISCONNECT TOOLS** before servicing; when changing accessories, such as blades, bits, cutters, and the like.
16. **REDUCE THE RISK OF UNINTENTIONAL STARTING.** Make sure switch is in off position before plugging in.
17. **USE RECOMMENDED ACCESSORIES.** Consult the owner's manual for recommended accessories. The use of improper accessories may cause risk of injury to persons.
18. **NEVER STAND ON TOOL.** Serious injury could occur if the tool is tipped or if the cutting tool is unintentionally contacted.
19. **CHECK DAMAGED PARTS.** Before further use of the tool, a guard or other part that is damaged should be carefully checked to determine that it will operate properly and perform its intended function – check for alignment of moving parts, binding of moving parts, breakage of parts, mounting, and any other conditions that may affect its operation. A guard or other part that is damaged should be properly repaired or replaced.
20. **NEVER LEAVE TOOL RUNNING UNATTENDED. TURN POWER OFF.** Don't leave tool until it comes to a complete stop.

Grounding Instructions



⚠️ WARNING

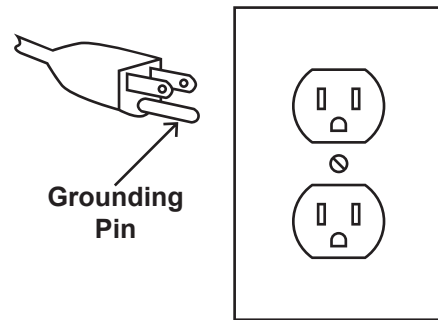
TO PREVENT ELECTRIC SHOCK AND DEATH FROM INCORRECT GROUNDING WIRE CONNECTION

READ AND FOLLOW THESE INSTRUCTIONS:

110-120 V~ Grounded Tools: Tools with Three Prong Plugs

1. In the event of a malfunction or breakdown, grounding provides a path of least resistance for electric current to reduce the risk of electric shock. This tool is equipped with an electric cord having an equipment-grounding conductor and a grounding plug. The plug must be plugged into a matching outlet that is properly installed and grounded in accordance with all local codes and ordinances.
2. Do not modify the plug provided – if it will not fit the outlet, have the proper outlet installed by a qualified electrician.
3. Improper connection of the equipment-grounding conductor can result in a risk of electric shock. The conductor with insulation having an outer surface that is green with or without yellow stripes is the equipment-grounding conductor. If repair or replacement of the electric cord or plug is necessary, do not connect the equipment-grounding conductor to a live terminal.
4. Check with a qualified electrician or service personnel if the grounding instructions are not completely understood, or if in doubt as to whether the tool is properly grounded.
5. Use only 3-wire extension cords that have 3-prong grounding plugs and 3-pole receptacles that accept the tool's plug.

6. Repair or replace damaged or worn cord immediately.



**125 V~ 3-Prong Plug and Outlet
(for up to 125 V~ and up to 15 A)**

7. This tool is intended for use on a circuit that has an outlet that looks like the one illustrated above in **125 V~ 3-Prong Plug and Outlet**. The tool has a grounding plug that looks like the plug illustrated above in **125 V~ 3-Prong Plug and Outlet**.
8. The outlet must be properly installed and grounded in accordance with all codes and ordinances.
9. Do not use an adapter to connect this tool to a different outlet.

Cut-Off Saw Safety Warnings

For Your Own Safety Read Instruction Manual Before Operating Grinder

1. Wear eye protection.
2. Use grinding wheel suitable for speed of grinder.
3. Replace cracked wheel immediately.
4. Always use guards and eye shields.
5. Do not overtighten wheel nut.
6. Use only flanges furnished with the grinder.
7. Frequently clean grinding dust from beneath grinder.
8. Wear a full face shield over ANSI-approved safety goggles during use.
9. Do not grind with side of wheel unless wheel is specifically designed for that type of grinding.
10. **DO NOT OPERATE WITH ANY GUARD DISABLED, DAMAGED, OR REMOVED. Moving guards must move freely and close instantly.**
11. The use of accessories or attachments not recommended by the manufacturer may result in a risk of injury to persons.
12. When servicing use only identical replacement parts.
13. Only use safety equipment that has been approved by an appropriate standards agency. Unapproved safety equipment may not provide adequate protection. Eye protection must be ANSI-approved and breathing protection must be NIOSH-approved for the specific hazards in the work area.

Cut-Off Saw Safety Warnings (cont.)

14. Stay alert, watch what you are doing and use common sense when operating a power tool. Do not use a power tool while you are tired or under the influence of drugs, alcohol or medication. A moment of inattention while operating power tools may result in serious personal injury.
15. Industrial applications must follow OSHA guidelines.
16. Maintain labels and nameplates on the tool. These carry important safety information. If unreadable or missing, contact Harbor Freight Tools for a replacement.
17. Avoid unintentional starting. Prepare to begin work before turning on the tool.
18. People with pacemakers should consult their physician(s) before use. Electromagnetic fields in close proximity to heart pacemaker could cause pacemaker interference or pacemaker failure.
19. **WARNING:** Some dust created by power sanding, sawing, grinding, drilling, and other construction activities, contains chemicals known [to the State of California] to cause cancer, birth defects or other reproductive harm. Some examples of these chemicals are:
 - Lead from lead-based paints
 - Crystalline silica from bricks and cement or other masonry products
 - Arsenic and chromium from chemically treated lumberYour risk from these exposures varies, depending on how often you do this type of work. To reduce your exposure to these chemicals: work in a well ventilated area, and work with approved safety equipment, such as those dust masks that are specially designed to filter out microscopic particles. (California Health & Safety Code § 25249.5, *et seq.*)
20. **WARNING:** Handling the cord on this product will expose you to lead, a chemical known to the State of California to cause cancer, and birth defects or other reproductive harm. Wash hands after handling. (California Health & Safety Code § 25249.5, *et seq.*)
21. The warnings, precautions, and instructions discussed in this instruction manual cannot cover all possible conditions and situations that may occur. It must be understood by the operator that common sense and caution are factors which cannot be built into this product, but must be supplied by the operator.

Vibration Safety

This tool vibrates during use. Repeated or long-term exposure to vibration may cause temporary or permanent physical injury, particularly to the hands, arms and shoulders. To reduce the risk of vibration-related injury:

1. Anyone using vibrating tools regularly or for an extended period should first be examined by a doctor and then have regular medical check-ups to ensure medical problems are not being caused or worsened from use. Pregnant women or people who have impaired blood circulation to the hand, past hand injuries, nervous system disorders, diabetes, or Raynaud's Disease should not use this tool. If you feel any medical or physical symptoms related to vibration (such as tingling, numbness, and white or blue fingers), seek medical advice as soon as possible.
2. Do not smoke during use. Nicotine reduces the blood supply to the hands and fingers, increasing the risk of vibration-related injury.
3. Use tools with the lowest vibration when there is a choice between different processes.
4. Include vibration-free periods each day of work.
5. Grip tool as lightly as possible (while still keeping safe control of it). Let the tool do the work.
6. To reduce vibration, maintain the tool as explained in this manual. If any abnormal vibration occurs, stop use immediately.



SAVE THESE INSTRUCTIONS.

Specifications

Electrical Rating	120VAC / 60Hz / 5.5A
Motor No Load Speed	5,000 RPM
Max. Accessory Diameter	6"
Arbor Size	7/8"



Setup - Before Use:



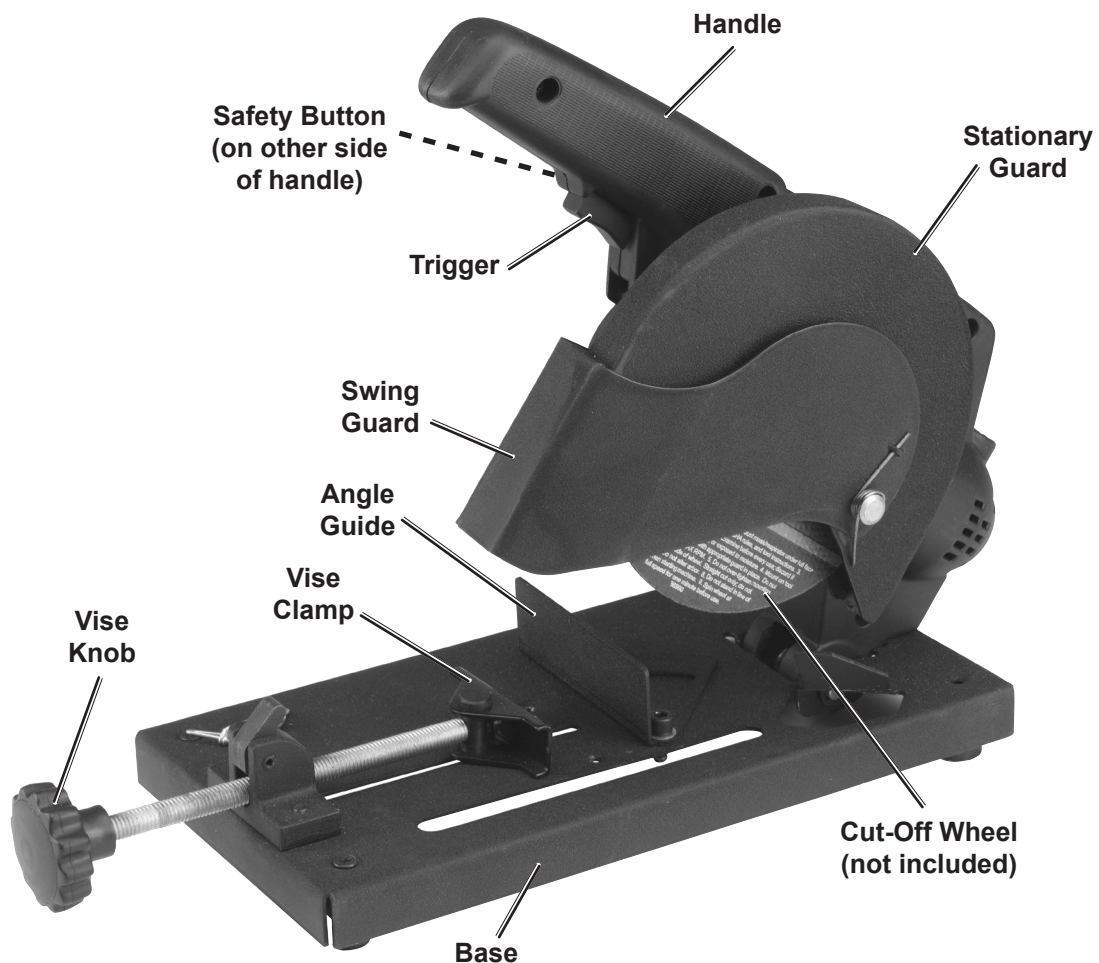
Read the **ENTIRE IMPORTANT SAFETY INFORMATION** section at the beginning of this manual including all text under subheadings therein before set up or use of this product.

WARNING

TO PREVENT SERIOUS INJURY FROM ACCIDENTAL OPERATION:
Release the Trigger and unplug the tool from its electrical outlet before assembling or making any adjustments to the tool.

Note: For additional information regarding the parts listed in the following pages, refer to the Assembly Diagram near the end of this manual.

Functions



Operating Instructions



Read the **ENTIRE IMPORTANT SAFETY INFORMATION** section at the beginning of this manual including all text under subheadings therein before set up or use of this product.

Tool Set Up

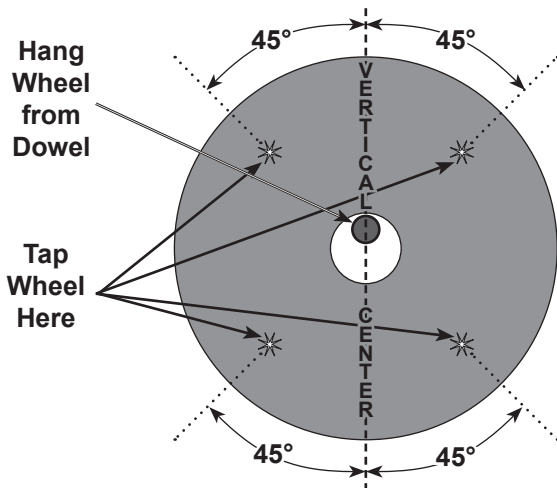
WARNING

TO PREVENT SERIOUS INJURY FROM ACCIDENTAL OPERATION:
Release the pressure and unplug the tool from its electrical outlet before assembling or making any adjustments to the tool.

TO PREVENT SERIOUS INJURY:
DO NOT OPERATE WITH ANY GUARD DISABLED, DAMAGED, OR REMOVED.

Installing a Cut-Off (Grinding) Wheel

1. The Grinding Wheel **MUST** be:
 - rated to at least 5,000 RPM.
 - no larger than 6" in diameter.
 - fitted with a 7/8" round arbor hole.
 - suitable for edge grinding, not surface grinding.
 - dry and clean.
 - proven undamaged by inspection and by the ring-test explained below.
2. Closely inspect the new wheel before mounting it. Perform a ring-test on the wheel (unless wheel is smaller than 4") as follows:
 - a. Suspend wheel using a dowel or finger through the arbor hole.



- b. Tap the flat side of the wheel with a light non-metallic object, such as a screwdriver handle, at a point 45° from the vertical center line on each side of the wheel and 1 – 2 inches from the edge of the wheel (see Illustration).
- c. Rotate the wheel 90° and repeat the test until the entire wheel has been checked.
- d. An undamaged wheel will ring with a clear tone. If cracked, there will be a dead sound and not a clear ring.

3. Release the Safety Chain from the securing pin (see **Figure A**) and guide the Housing to rest at its full upward position.

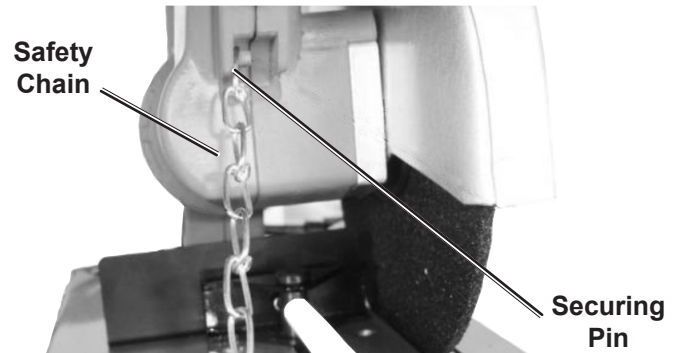


Figure A: Safety Chain

4. Open the Swing Guard (25) all the way, exposing the Grinding Wheel, Outer Flange (29) and Arbor Bolt (30).
5. As shown in **Figure B**, use the supplied Flat Wrench (44) to hold the Spindle in place and use the supplied Sleeve Wrench (45) to loosen the Arbor Bolt.

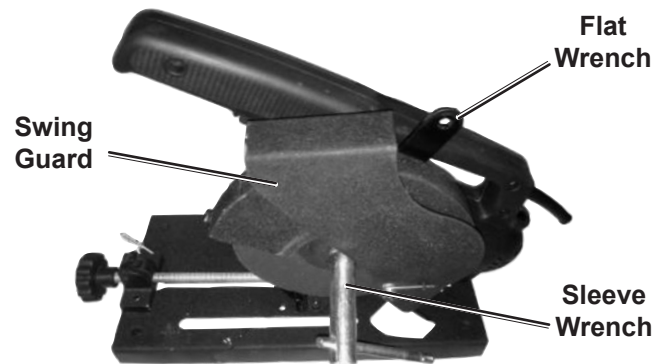


Figure B: Removing the Arbor Bolt

6. Remove the Arbor Bolt, the Outer Flange and the old Grinding Wheel, noting the orientation of each.

- Install the new Grinding Wheel onto the Spindle. Replace the Outer Flange onto the Spindle; thread the Arbor Bolt onto the Spindle and tighten them in place with the Sleeve Wrench.

- For wheels with paper gaskets (blotters) or metal gaskets: Slip the grinding wheel onto the Arbor with the gasket first. The gasket should be centered on the grinding wheel and the wheel and gasket should rest flat against the Inner Flange.

⚠WARNING: To prevent serious injury, gaskets must be used for all grinding wheels they are provided with. Gaskets help prevent grinding wheel damage and wheel slippage, causes of wheel failure.

- Lower the Housing and replace the Safety Chain.

Adjusting Cut Angle

- To cut at various angles (up to 45°), adjust the Angle Guide by loosening the two Bolts that attach the Guide to the Base.
- Adjust the Angle Guide to the desired setting and then tighten both Bolts.
- To reposition the Angle Guide for a different-sized workpiece, remove both of the Bolts, and reattach the Angle Guide at the other set of screw holes. See **Figure C**.

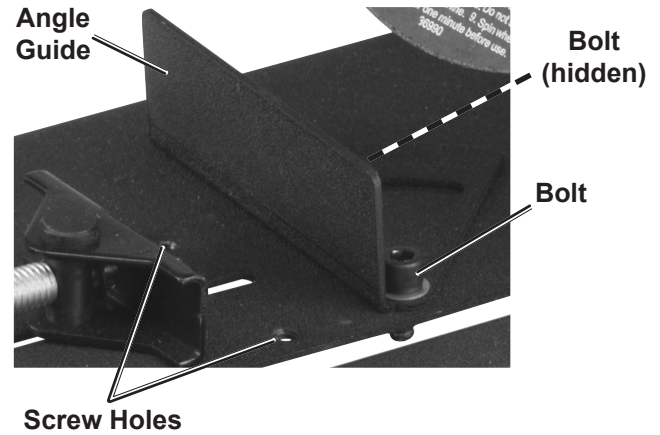


Figure C: Repositioning the Angle Guide

Work Piece and Work Area Set Up

- Designate a work area that is clean and well-lit. The work area must not allow access by children or pets to prevent distraction and injury.
- Route the power cord along a safe route to reach the work area without creating a tripping hazard or exposing the power cord to possible damage. The power cord must reach the work area with enough extra length to allow free movement while working.
- There must not be objects, such as utility lines, nearby that will present a hazard while working.

Using the Vise

Secure loose work pieces using the Vise to prevent movement while working: See **Figure D**.

- Turn the Vise Knob counterclockwise a quarter turn and lift up the Quick Release.
- Slide the Vise Clamp open as far as needed.
- Position the workpiece against the Angle Guide.
- Push the Quick Release down onto the Vise threads.
- Push the Vise Knob until the Vise Clamp is up against the workpiece.
- Tighten the Vise Knob clockwise to secure the workpiece.

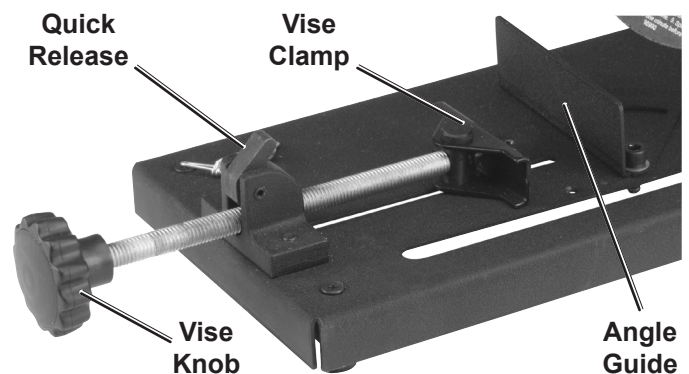


Figure D: Vise Components

General Operating Instructions

CAUTION! Friction from cutting will heat both the Wheel and the workpiece. Be careful when handling the workpiece and do not overwork the Cut-Off Saw as the Wheel can become damaged from overheating.

1. Release the Safety Chain and guide the Housing to rest at its full upward position.
2. Adjust the Angle Guide as needed.
3. Place the workpiece against the Angle Guide and clamp in place using the Vise.
4. Plug the Power Cord into a grounded, 120VAC electrical outlet.
5. Press the Safety Button, then squeeze and hold the Trigger to start the Saw. Allow the Grinding Wheel to attain full speed.
6. With one hand on the Handle and the other hand clear, slowly bring the Saw down, letting the Saw do the work. Do not apply excessive force.
7. After making the cut, release the Trigger and raise the Saw.
8. Wait until the Wheel comes to a complete stop, then remove the workpiece.
9. To prevent accidents, turn off the tool and disconnect its power supply after use. Lower the Saw and secure with the Safety Chain. Clean, then store the tool indoors out of children's reach.

SAFETY

SETUP

OPERATION

MAINTENANCE



Maintenance and Servicing



Procedures not specifically explained in this manual must be performed only by a qualified technician.

WARNING

TO PREVENT SERIOUS INJURY FROM ACCIDENTAL OPERATION:
Release the Trigger and unplug the tool from its electrical outlet before performing any inspection, maintenance, or cleaning procedures.

TO PREVENT SERIOUS INJURY FROM TOOL FAILURE:
Do not use damaged equipment. If abnormal noise or vibration occurs, have the problem corrected before further use.

Cleaning, Maintenance, and Lubrication

1. **BEFORE EACH USE**, inspect the general condition of the tool. Check for:
 - loose hardware,
 - misalignment or binding of moving parts,
 - cracked or broken parts,
 - damaged electrical wiring, and
 - any other condition that may affect its safe operation.
2. **AFTER USE**, wipe external surfaces of the tool with clean cloth.
3. Periodically, wear ANSI-approved safety goggles and NIOSH-approved breathing protection and blow dust and grit out of the motor vents using dry compressed air.
4. **WARNING!** If the supply cord of this power tool is damaged, it must be replaced only by a qualified service technician.

Cut-Off Wheel Storage and Handling

1. Handle Cut-Off Wheels carefully to prevent dropping or bumping. Do not use wheels that have been dropped or bumped.
2. Store Cut-Off Wheels in shelves, racks, boxes, or drawers. Storage area must be kept dry, and above freezing. Any grinding or Cut-Off Wheels exposed to humidity or freezing temperatures must not be used.

Troubleshooting

Problem	Possible Causes	Likely Solutions
Tool will not start.	<ol style="list-style-type: none"> 1. Cord not connected. 2. No power at outlet. 3. Internal damage or wear. (Carbon Brushes or switch, for example.) 	<ol style="list-style-type: none"> 1. Check that cord is plugged in. 2. Check power at outlet. If outlet is unpowered, turn off tool and check circuit breaker. If breaker is tripped, make sure circuit is right capacity for tool and circuit has no other loads. 3. Have technician service tool.
Tool operates slowly.	Extension cord too long or wire size too small.	Eliminate use of extension cord. If an extension cord is needed, use one with the proper diameter for its length and load. See Table A on page 3.
Performance decreases over time.	<ol style="list-style-type: none"> 1. Wheel worn or dull. 2. Carbon brushes worn or damaged. 	<ol style="list-style-type: none"> 1. Keep cutting accessories sharp. Replace wheel as needed. 2. Have technician replace brushes.
Excessive noise or rattling.	Internal damage or wear. (Carbon Brushes or bearings, for example.)	Have technician service tool.
Overheating.	<ol style="list-style-type: none"> 1. Forcing machine to work too fast. 2. Wheel worn or dull. 3. Blocked motor housing vents. 4. Motor being strained by long or small diameter extension cord. 	<ol style="list-style-type: none"> 1. Allow machine to work at its own rate. 2. Keep cutting accessories sharp. Replace wheel as needed. 3. Wear ANSI-approved safety goggles and NIOSH-approved dust mask/respirator while blowing dust out of motor using compressed air. 4. Eliminate use of extension cord. If an extension cord is needed, use one with the proper diameter for its length and load. See Table A on page 3.



Follow all safety precautions whenever diagnosing or servicing the tool. Disconnect power supply before service.

PLEASE READ THE FOLLOWING CAREFULLY

SAFETY

THE MANUFACTURER AND/OR DISTRIBUTOR HAS PROVIDED THE PARTS LIST AND ASSEMBLY DIAGRAM IN THIS MANUAL AS A REFERENCE TOOL ONLY. NEITHER THE MANUFACTURER OR DISTRIBUTOR MAKES ANY REPRESENTATION OR WARRANTY OF ANY KIND TO THE BUYER THAT HE OR SHE IS QUALIFIED TO MAKE ANY REPAIRS TO THE PRODUCT, OR THAT HE OR SHE IS QUALIFIED TO REPLACE ANY PARTS OF THE PRODUCT. IN FACT, THE MANUFACTURER AND/OR DISTRIBUTOR EXPRESSLY STATES THAT ALL REPAIRS AND PARTS REPLACEMENTS SHOULD BE UNDERTAKEN BY CERTIFIED AND LICENSED TECHNICIANS, AND NOT BY THE BUYER. THE BUYER ASSUMES ALL RISK AND LIABILITY ARISING OUT OF HIS OR HER REPAIRS TO THE ORIGINAL PRODUCT OR REPLACEMENT PARTS THERETO, OR ARISING OUT OF HIS OR HER INSTALLATION OF REPLACEMENT PARTS THERETO.

SETUP

OPERATION

MAINTENANCE

Record Product's Serial Number Here: _____

Note: If product has no serial number, record month and year of purchase instead.

Note: Some parts are listed and shown for illustration purposes only, and are not available individually as replacement parts.

Parts List and Diagram

Parts List

Part	Description	Qty
1	Power Cord	1
2	Cord Protector	1
3	Cord Clamp	1
4	Trigger	1
5	Left Housing	1
6	Right Housing	1
7	Stator	1
8	Carbon Brush Cap	2
9	Carbon Brush Holder	2
10	Carbon Brush	2
11	Rotor	1
12	Fan	1
13	Roll Pin	1
14	Drive Gear	1
15	Bearing 627	1
16	Bearing 609	1
17	Bearing 607	1
18	Bearing 6201	1
19	Spindle	1
20	Driven Gear	1
21	Bearing Cover	1
22	Key	1
23	Gear Housing Cap	1
24	Wheel Cover	1
25	Swing Guard	1
26	Spring	1
27	Inner Flange	1
28	Cut-Off Wheel (not included)	1
29	Outer Flange	1
30	Arbor Bolt	1

Part	Description	Qty
31	Spring	1
32	Roll Pin	1
33	Angle Guide	1
34	Hinge Bolt	1
35	Vise Clamp	1
36	Clip Pin	1
37	Vise Feed Screw	1
38	Vise Lock Handle	1
39	Vise Mount	1
40	Roll Pin	1
41	Vise Knob	1
42	Base	1
43	Rubber Foot	4
44	Flat Wrench	1
45	Sleeve Wrench	1
46	Hex Wrench	1
47	Screw	1
48	Flat Washer	1
49	Spring Washer	1
50	Nut	1
51	Screw	7
52	Flat Washer	4
53	Spring Washer	4
54	Screw	4
55	Flat Washer	4
56	Spring Washer	4
57	Bolt	2
58	Bolt	2
59	Screw	2
60	Safety Chain (not shown)	1

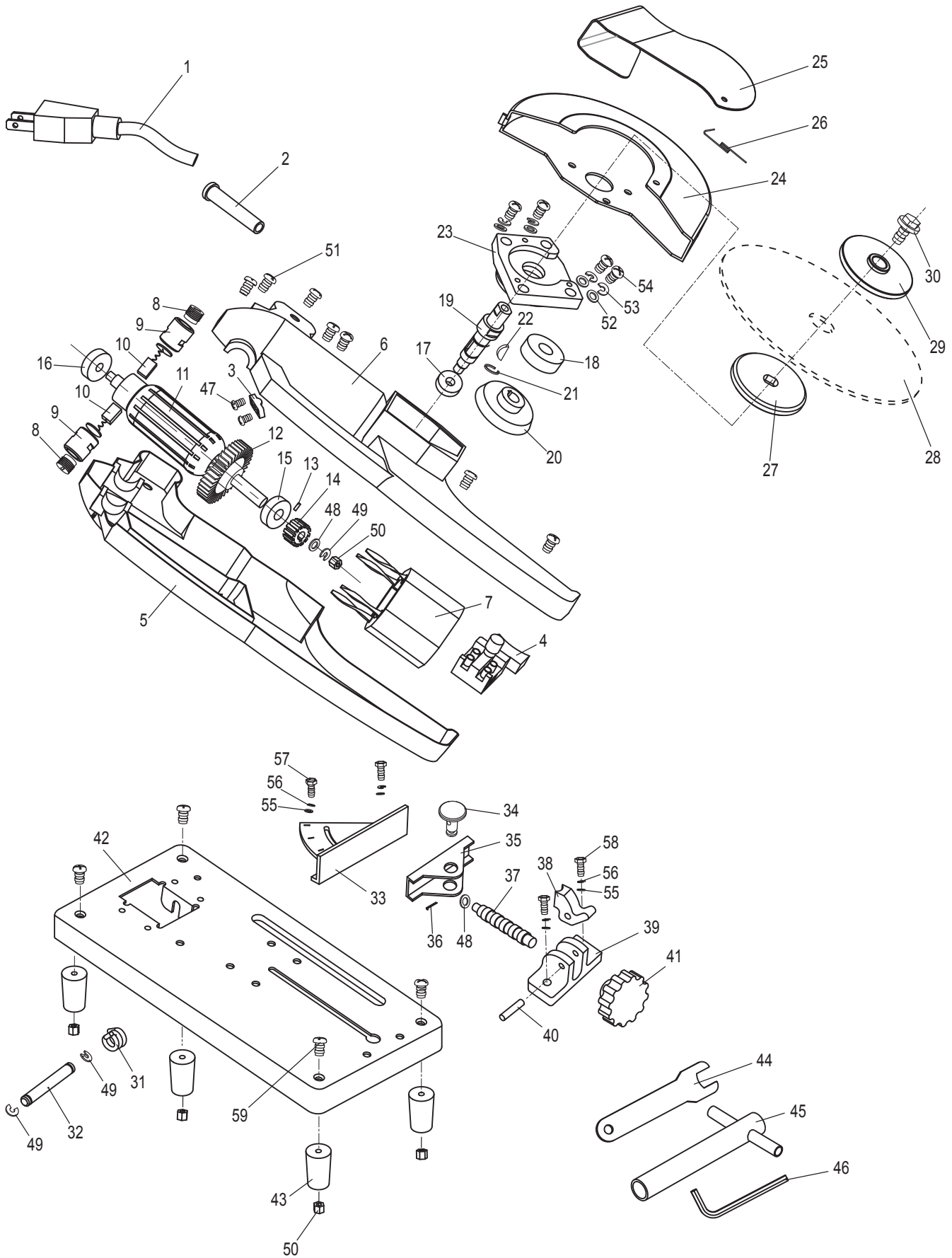
SAFETY

SETUP

OPERATION

MAINTENANCE

Assembly Diagram



SAFETY

SETUP

OPERATION

MAINTENANCE

Limited 90 Day Warranty

Harbor Freight Tools Co. makes every effort to assure that its products meet high quality and durability standards, and warrants to the original purchaser that this product is free from defects in materials and workmanship for the period of 90 days from the date of purchase. This warranty does not apply to damage due directly or indirectly, to misuse, abuse, negligence or accidents, repairs or alterations outside our facilities, criminal activity, improper installation, normal wear and tear, or to lack of maintenance. We shall in no event be liable for death, injuries to persons or property, or for incidental, contingent, special or consequential damages arising from the use of our product. Some states do not allow the exclusion or limitation of incidental or consequential damages, so the above limitation of exclusion may not apply to you. THIS WARRANTY IS EXPRESSLY IN LIEU OF ALL OTHER WARRANTIES, EXPRESS OR IMPLIED, INCLUDING THE WARRANTIES OF MERCHANTABILITY AND FITNESS.

To take advantage of this warranty, the product or part must be returned to us with transportation charges prepaid. Proof of purchase date and an explanation of the complaint must accompany the merchandise. If our inspection verifies the defect, we will either repair or replace the product at our election or we may elect to refund the purchase price if we cannot readily and quickly provide you with a replacement. We will return repaired products at our expense, but if we determine there is no defect, or that the defect resulted from causes not within the scope of our warranty, then you must bear the cost of returning the product.

This warranty gives you specific legal rights and you may also have other rights which vary from state to state.



3491 Mission Oaks Blvd. • PO Box 6009 • Camarillo, CA 93011 • (888) 866-5797