

Owner's Manual & Safety Instructions

Save This Manual Keep this manual for the safety warnings and precautions, assembly, operating, inspection, maintenance and cleaning procedures. Write the product's serial number in the back of the manual near the assembly diagram (or month and year of purchase if product has no number). Keep this manual and the receipt in a safe and dry place for future reference.

21d

PITTSBURGH MOTORCYCLE

61670

1800 LB. CAPACITY MOTORCYCLE STAND/ WHEEL CHOCK



Specifications

Weight Capacity	1,800 Pounds
Wheel Size	15" to 22" (80-127W)
Maximum Motorcycle Wheel Footprint*	3" to 5" W

Visit our website at: <http://www.harborfreight.com>
Email our technical support at: productsupport@harborfreight.com

When unpacking, make sure that the product is intact and undamaged. If any parts are missing or broken, please call 1-888-866-5797 as soon as possible.

Copyright© 2021 by Harbor Freight Tools®. All rights reserved.
No portion of this manual or any artwork contained herein may be reproduced in any shape or form without the express written consent of Harbor Freight Tools. Diagrams within this manual may not be drawn proportionally. Due to continuing improvements, actual product may differ slightly from the product described herein.
Tools required for assembly and service may not be included.

⚠ WARNING

Read this material before using this product.
Failure to do so can result in serious injury.
SAVE THIS MANUAL.

IMPORTANT SAFETY INFORMATION

Assembly Precautions

1. Assemble only according to these instructions. Improper assembly can create hazards.
2. Wear ANSI-approved safety goggles, NIOSH-approved dust mask/respirator, and heavy-duty work gloves during assembly.
3. Keep assembly area clean and well lit.
4. Keep bystanders out of the area during assembly.
5. Do not assemble when tired or when under the influence of alcohol, drugs or medication.
6. Weight capacity and other product capabilities apply to properly and completely assembled product only.

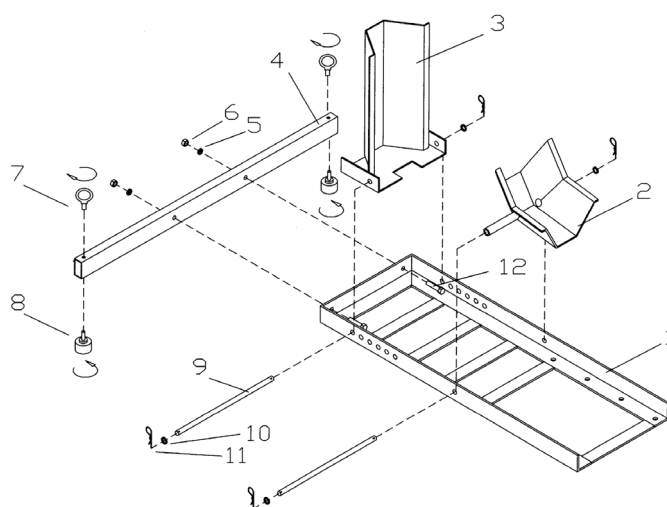
Use Precautions

Failure to heed these warnings may result in personal injury and/or property damage:

1. Study, understand, and follow all instructions before operating this device.
2. Do not exceed 1800 lb. rated capacity.
3. Use only on hard, level surfaces.
4. Secure chock and strap down motorcycle before transporting.
5. Wear ANSI-approved safety goggles and heavy-duty work gloves during setup and use.
6. Keep clear of stand/chock and wheel while loading and unloading.
7. Load and unload wheel slowly.
8. Use for motorcycle tires only. Do not use for aircraft purposes.
9. Adjust for tire size before use.
10. Use kickstand also if equipped.
11. Do not ride a motorcycle onto the Stand.
12. Do not sit on the motorcycle while it is loaded on the Stand.
13. Inspect before every use; do not use if parts loose or damaged.
14. The warnings, precautions, and instructions discussed in this manual cannot cover all possible conditions and situations that may occur. The operator must understand that common sense and caution are factors which cannot be built into this product, but must be supplied by the operator.

Parts List and Diagram

Part	Description	Qty
1	Base	1
2	Wheel Adapter	1
3	Cradle Stop	1
4	Support Arm	1
5	Washer Ø 10	2
6	Nut M10	2
7	Eyelet	2
8	Pad	2
9	Pin	2
10	Washer Ø 12	4
11	R-pin	4
12	Bolt M10x45	2



Record Serial Number Here:

Note: If product has no serial number, record month and year of purchase instead.

Note: Some parts are listed and shown for illustration purposes only, and are not available individually as replacement parts. Specify UPC 792363616706 when ordering parts.

Assembly Instructions

Assembly

1. Measure the motorcycle wheel prior to assembly so that the Motorcycle Stand can be adjusted to fit the wheel length. The Motorcycle Stand will fit most standard motorcycles currently on the market. However, some models with especially wide tires or custom low-profile front fenders will not fit.
2. Mount the Support Arm (4) to the front of the Base using 2 Bolts (12), Washers (5), and Nuts (6).
3. Insert Pin (9) through the mounting holes and Cradle Stop (3); secure with Washer (10) and R Pin (11).
4. Insert Pin (9) through the mounting holes and Wheel Adapter (2); secure with Washer (10) and R Pin (11).
5. Securely tighten all hardware before use.

Note: Mount the Motorcycle Stand securely before use.

Mounting in Concrete

1. Choose a location to install the Motorcycle Stand that is flat, level, and capable of bearing the combined weight of the Motorcycle Stand and the motorcycle being secured. The location should not obstruct walkways and provide enough room to retrieve the motorcycle after it is mounted. The surface of the location should be one suitable for the mounting of heavy equipment.
2. Use the mounting holes in the Base (1) as a template. Arrange the Base in the chosen location and mark where the holes are to be drilled.
3. Use concrete anchors (not included) to secure the Base to the concrete floor. Using the correct size concrete drill bit (not included), drill mounting holes.
4. Insert the concrete anchors in the holes. Secure the Base to the floor using concrete anchors.

Truck Bed/Motorcycle Lift Mounting

1. Place the Base in the desired location of the truck bed or motorcycle lift. Use the holes in the Base as a pattern to mark where to drill the holes for the hardware to mount the Stand.
2. Use a power drill (not included) and a steel cutting drill bit (not included) to drill holes in the truck bed or motorcycle lift.
3. Attach the Base to the truck bed utilizing the appropriate hardware (not included).

WARNING! Verify that the installation surface has no hidden wires, brake lines, etc. before drilling.

Operating Instructions

1. Select the correct mounting hole for the motorcycle being loaded on the Stand, and adjust the location of the Cradle Stop to fit the tire length properly.
2. To load a motorcycle, lower the Wheel Adapter to the horizontal position and simply push the motorcycle into the Stand. The Wheel Adapter will close on the motorcycle tire, securing the bike in an upright position.
3. Secure the motorcycle with belts or straps (not included).
4. To dismount the motorcycle, pull back firmly and steadily until the motorcycle rolls free of the Stand.

CAUTION! Do not sit on the motorcycle when it is loaded in the Motorcycle Stand.

Maintenance and Servicing

⚠️ WARNING Damaged products can fail, causing personal injury. Do not use a damaged product. If abnormal noise or vibration occurs, have the problem corrected before further use.

Cleaning, maintenance, and lubrication

1. **BEFORE EACH USE**, inspect the general condition of the product. Check for loose screws, misalignment or binding of moving parts, cracked or broken parts, and any other condition that may affect its safe operation.
2. **AFTER USE**, clean external surfaces of the product with clean, moist cloth.

PLEASE READ THE FOLLOWING CAREFULLY

THE MANUFACTURER AND/OR DISTRIBUTOR HAS PROVIDED THE PARTS LIST AND ASSEMBLY DIAGRAM IN THIS DOCUMENT AS A REFERENCE TOOL ONLY. NEITHER THE MANUFACTURER OR DISTRIBUTOR MAKES ANY REPRESENTATION OR WARRANTY OF ANY KIND TO THE BUYER THAT HE OR SHE IS QUALIFIED TO MAKE ANY REPAIRS TO THE PRODUCT, OR THAT HE OR SHE IS QUALIFIED TO REPLACE ANY PARTS OF THE PRODUCT. IN FACT, THE MANUFACTURER AND/OR DISTRIBUTOR EXPRESSLY STATES THAT ALL REPAIRS AND PARTS REPLACEMENTS SHOULD BE UNDERTAKEN BY CERTIFIED AND LICENSED TECHNICIANS, AND NOT BY THE BUYER. THE BUYER ASSUMES ALL RISK AND LIABILITY ARISING OUT OF HIS OR HER REPAIRS TO THE ORIGINAL PRODUCT OR REPLACEMENT PARTS THERETO, OR ARISING OUT OF HIS OR HER INSTALLATION OF REPLACEMENT PARTS THERETO.

Limited 90 Day Warranty

Harbor Freight Tools Co. makes every effort to assure that its products meet high quality and durability standards, and warrants to the original purchaser that this product is free from defects in materials and workmanship for the period of 90 days from the date of purchase. This warranty does not apply to damage due directly or indirectly, to misuse, abuse, negligence or accidents, repairs or alterations outside our facilities, criminal activity, improper installation, normal wear and tear, or to lack of maintenance. We shall in no event be liable for death, injuries to persons or property, or for incidental, contingent, special or consequential damages arising from the use of our product. Some states do not allow the exclusion or limitation of incidental or consequential damages, so the above limitation of exclusion may not apply to you. THIS WARRANTY IS EXPRESSLY IN LIEU OF ALL OTHER WARRANTIES, EXPRESS OR IMPLIED, INCLUDING THE WARRANTIES OF MERCHANTABILITY AND FITNESS.

To take advantage of this warranty, the product or part must be returned to us with transportation charges prepaid. Proof of purchase date and an explanation of the complaint must accompany the merchandise. If our inspection verifies the defect, we will either repair or replace the product at our election or we may elect to refund the purchase price if we cannot readily and quickly provide you with a replacement. We will return repaired products at our expense, but if we determine there is no defect, or that the defect resulted from causes not within the scope of our warranty, then you must bear the cost of returning the product.

This warranty gives you specific legal rights and you may also have other rights which vary from state to state.

PITTSBURGH[®] MOTORCYCLE

26541 Agoura Road • Calabasas, CA 91302 • 1-888-866-5797