

# Owner's Manual & Safety Instructions

**Save This Manual** Keep this manual for the safety warnings and precautions, assembly, operating, inspection, maintenance and cleaning procedures. Write the product's serial number in the back of the manual near the assembly diagram (or month and year of purchase if product has no number). Keep this manual and the receipt in a safe and dry place for future reference.



**CENTRAL  
MACHINERY®**

## **30" PEDESTAL SHOP FAN**



REV 14e

Visit our website at: <http://www.harborfreight.com>  
Email our technical support at: [productsupport@harborfreight.com](mailto:productsupport@harborfreight.com)

**ITEM 61845**

When unpacking, make sure that the product is intact and undamaged. If any parts are missing or broken, please call 1-888-866-5797 as soon as possible.

Copyright© 2013 by Harbor Freight Tools®. All rights reserved.  
No portion of this manual or any artwork contained herein may be reproduced in any shape or form without the express written consent of Harbor Freight Tools. Diagrams within this manual may not be drawn proportionally. Due to continuing improvements, actual product may differ slightly from the product described herein. Tools required for assembly and service may not be included.

### **⚠WARNING**

**Read this material before using this product.  
Failure to do so can result in serious injury.  
SAVE THIS MANUAL.**

## **⚠ CAUTION**

Read Rules for Safe Operation and Instructions Carefully.

## **⚠ WARNING**

1. To reduce the risk of fire or electric shock, do not use this Fan with any solid-state speed control device.
2. This appliance has a polarized plug (one blade is wider than the other). To reduce the risk of electric shock, this plug is intended to fit into a polarized outlet only one way. If the plug does not fit fully in the outlet, reverse the plug. If it still does not fit, contact a qualified electrician. Do not change the plug in any way. Do not attempt to defeat this safety feature.
3. Do not leave Fan running while unattended.

---

## **RULES FOR SAFE OPERATION**

---

1. Do not leave Fan running while unattended.
2. Never insert fingers, pencils, or any other object through Front or Rear Blade Guards.
3. Disconnect Fan when moving it from one location to another.
4. Disconnect Fan before removing grilles for cleaning.
5. Be sure fan is on a stable surface when operating to avoid overturning.
6. DO NOT use fan in window. Rain may create electrical hazard.
7. Complete the assembly of the fan before switching on the fan.



## **SAVE THESE INSTRUCTIONS.**

### **Safety Symbols**

In this manual, on the labeling, and all other information provided with this product:



This is the safety alert symbol. It is used to alert you to potential personal injury hazards. Obey all safety messages that follow this symbol to avoid possible injury or death.

### **⚠ DANGER**

**DANGER** indicates a hazardous situation which, if not avoided, will result in death or serious injury.

### **⚠ WARNING**

**WARNING** indicates a hazardous situation which, if not avoided, could result in death or serious injury.

### **⚠ CAUTION**

**CAUTION**, used with the safety alert symbol, indicates a hazardous situation which, if not avoided, could result in minor or moderate injury.

### **NOTICE**

**NOTICE** is used to address practices not related to personal injury.

### **CAUTION**

**CAUTION**, without the safety alert symbol, is used to address practices not related to personal injury.

## **Additional Safety Instructions**

1. Maintain labels and nameplates on the tool. If unreadable or missing, contact Harbor Freight Tools for a replacement.
2. Do not run Power Cord under carpeting. Do not cover cord with throw rugs, runners or similar coverings. Arrange cord away from traffic area and where it will not be tripped over.
3. Use only in dry environments. Do not use in bathrooms, laundry area, near sinks or other sources of water.
4. Do not alter the angle of the blades or install a different blade on this fan.
5. This product is not a toy. Keep it out of reach of children.
6. **WARNING:** The cord of this product contains lead, a chemical known to the State of California to cause cancer, and birth defects or other reproductive harm. Wash hands after handling. (California Health & Safety Code § 25249.5, *et seq.*)
7. The warnings, precautions, and instructions discussed in this instruction manual cannot cover all conditions and situations that may occur. It must be understood by operator that common sense and caution are factors which cannot be built into this product, but must be supplied by operator.

## **SPECIFICATIONS**

Electrical Requirements	120 VAC / 60 Hz / 2.5 A
Speeds	Low: ~900 RPM Medium: ~1,030 RPM High: ~1,080 RPM

### **HOUSEHOLD USE ONLY**



## **UNPACKING**

When unpacking, make sure that the item is intact and undamaged. If any parts are missing or broken, please call Harbor Freight Tools at the number shown on the cover of this manual as soon as possible.

### **Save This Manual**

Keep this manual for the safety warnings and precautions, assembly, operating, inspection, maintenance and cleaning procedures. Write the product's serial number in the back of the manual near the assembly diagram (or month and year of purchase if product has no number). Keep this manual and the receipt in a safe and dry place for future reference.

## ASSEMBLY



Read the **ENTIRE RULES FOR SAFE OPERATION** section at the beginning of this manual including all text under subheadings therein before set up or use of this product.



**TO PREVENT SERIOUS INJURY**

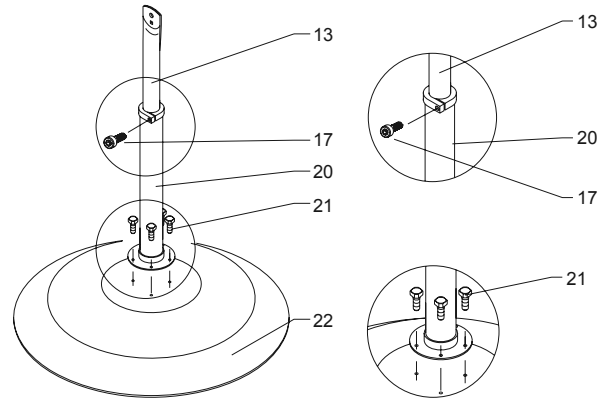
**FROM ACCIDENTAL OPERATION OR ELECTRIC SHOCK:**

**Before assembly, cleaning or adjustment, make sure the switch is turned off, the cord is unplugged, and the unit has cooled.**

**Note:** For additional information regarding parts listed, refer to **Assembly Diagram at back of manual.**

### Pedestal Assembly

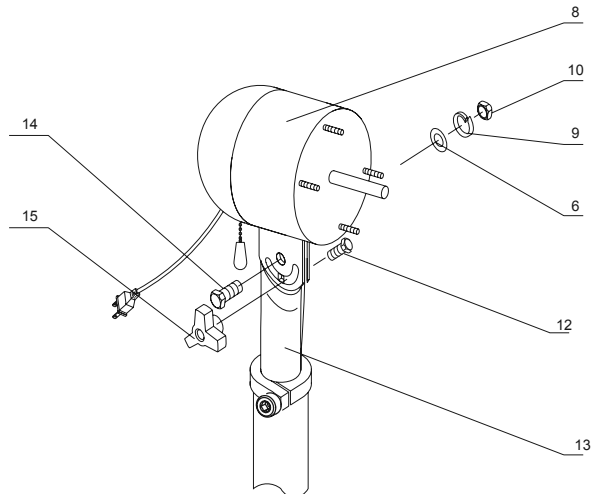
1. Place the Spring (26) inside the Outer Column (20).
2. Attach the Outer Column (20) to the Base Plate (22) using five Carriage Bolts (21), five Lock Washers (23 not shown), and five Nuts (24, not shown) underneath the Base Plate. Figure A
3. Loosen the Cap Screw (17). Extend the Extension Pole (13) to the desired height and tighten the Screw fully. Figure A



**Figure A**

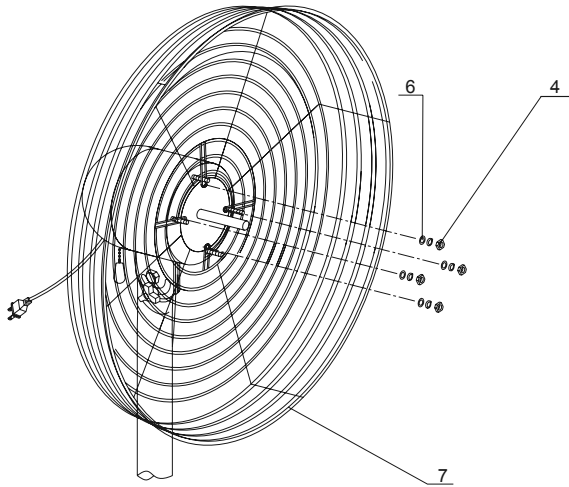
### Head Assembly

4. Mount Motor (8) to Extension Pole (13) with 1/2" - 13 x 1" Bolt (14), one Lock Washer (9), one Flat Washer (6), one Nut (10), one 5/16" Knob (15) and one 5/16" x 31mm Screw (12). Keep the Knob and Bolt heads on the same side. Figure B
5. Tilt Motor up slightly, and then tighten motor mounting Nut (10). Figure B



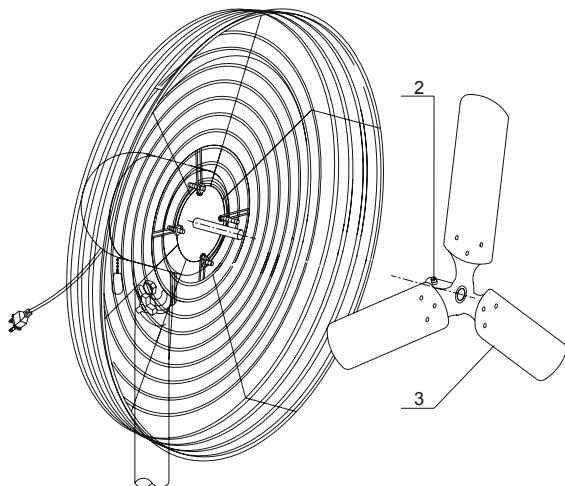
**Figure B**

6. Place one Flat Washer (6) on each of the four studs on front of Motor. Place Rear Guard (7) on Motor studs. Place four additional Flat Washers (6) over Guard onto Motor studs. Secure using four Nuts (4). Figure C



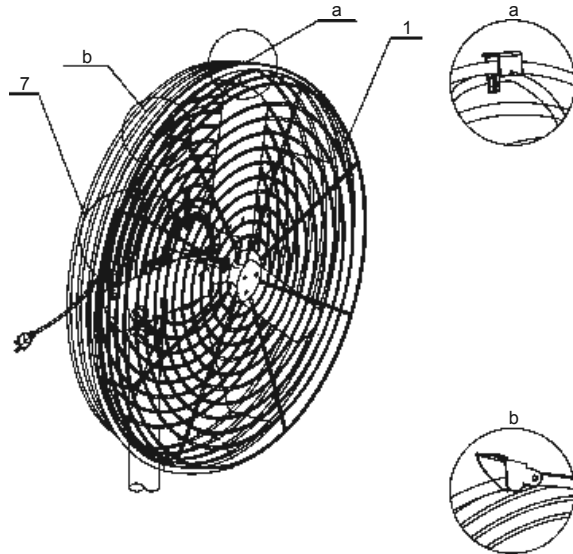
**Figure C**

7. Slide Fan Blade (3) onto motor shaft with hub pointing toward the Motor. The end of the shaft should be flush with the front of the blade hub. Tighten Set Screw (2) against shaft. Figure D



**Figure D**

8. Attach the Front Guard (1) as follows:
  - a. Hang the Front Guard on the Rear Guard (7) using the hanger at the top.
  - b. Swing all hinged clips down over the edge of the guard. Figure E



**Figure E**

9. Double-check that the guard is assembled securely and properly.

Assembly is complete. Check all connections before plugging in or operating the fan.

---

## OPERATION

---



Read the **ENTIRE RULES FOR SAFE OPERATION** section at the beginning of this manual including all text under subheadings therein before set up or use of this product.

1. Pull the Pull Chain (25) on the Motor (8) to turn on the fan and cycle through low-medium-high-off settings.
2. To adjust the fan's angle:
  - a. Unplug the fan and allow it to stop.
  - b. Loosen the Bolt (14) and the Knob (15).
  - c. Adjust the fan's angle, then tighten the Bolt and Knob securely and plug in the fan before further use.
3. To adjust the fan's height:
  - a. Unplug the fan and allow it to stop.
  - b. Loosen the Cap Screw (17).
  - c. Adjust the Extension Pole (13) to the desired height.  
**WARNING! Do not over-extend the Extension Pole. Over-extension can cause the pole assembly to fall apart.**
  - d. Tighten the Cap Screw securely before further use.

---

## INSPECTION AND MAINTENANCE

---



**TO PREVENT SERIOUS INJURY**

**FROM ACCIDENTAL OPERATION OR ELECTRIC SHOCK:**

**Before appliance inspection or maintenance, make sure the appliance's switch is turned off, the cord is unplugged, and the unit has cooled completely.**

**TO PREVENT SERIOUS INJURY FROM APPLIANCE FAILURE:**

**Do not use damaged appliances. If abnormal noise or vibration occurs, have the problem corrected before further use.**

1. **BEFORE EACH USE**, inspect condition of the Fan. Check for loose screws, misalignment or binding of moving parts, cracked or broken parts, and any other condition that may affect its safe operation.
2. Clean regularly to prevent dust from accumulating on Blade. Use damp cloth during cleaning and dry before use.

---

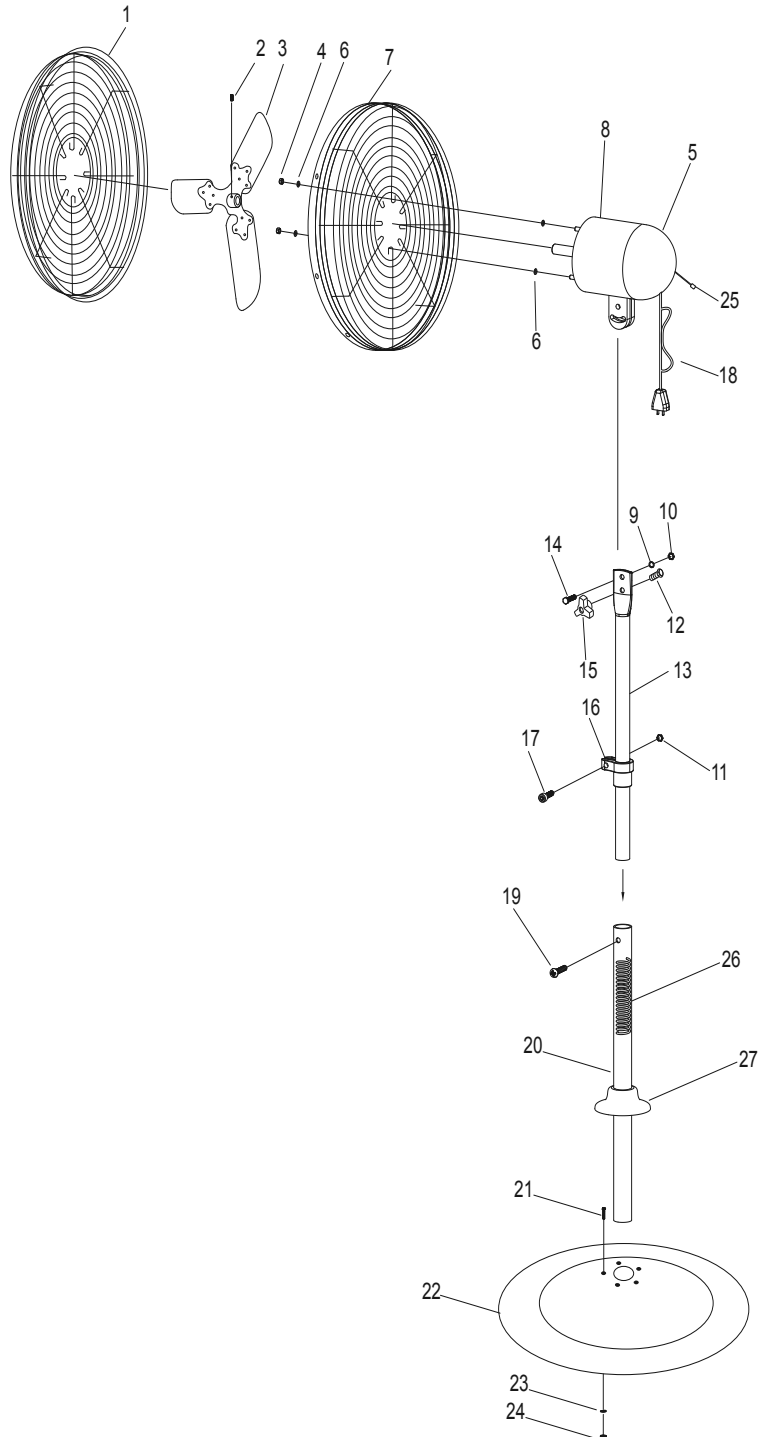
### **PLEASE READ THE FOLLOWING CAREFULLY**

---

THE MANUFACTURER AND/OR DISTRIBUTOR HAS PROVIDED THE PARTS LIST AND ASSEMBLY DIAGRAM IN THIS MANUAL AS A REFERENCE TOOL ONLY. NEITHER THE MANUFACTURER OR DISTRIBUTOR MAKES ANY REPRESENTATION OR WARRANTY OF ANY KIND TO THE BUYER THAT HE OR SHE IS QUALIFIED TO MAKE ANY REPAIRS TO THE PRODUCT, OR THAT HE OR SHE IS QUALIFIED TO REPLACE ANY PARTS OF THE PRODUCT. IN FACT, THE MANUFACTURER AND/OR DISTRIBUTOR EXPRESSLY STATES THAT ALL REPAIRS AND PARTS REPLACEMENTS SHOULD BE UNDERTAKEN BY CERTIFIED AND LICENSED TECHNICIANS, AND NOT BY THE BUYER. THE BUYER ASSUMES ALL RISK AND LIABILITY ARISING OUT OF HIS OR HER REPAIRS TO THE ORIGINAL PRODUCT OR REPLACEMENT PARTS THERETO, OR ARISING OUT OF HIS OR HER INSTALLATION OF REPLACEMENT PARTS THERETO.

## PARTS LIST AND ASSEMBLY DIAGRAM

Part	Description	Qty.
1	Front Guard	1
2	Set Screw	1
3	Fan Blade	1
4	Nut	4
5	Dome Cover	1
6	Flat Washer #10	9
7	Rear Guard	1
8	Motor	1
9	Lock Washer 1/2"	1
10	Nut 1/2"-13	1
11	Nut 1/4"-20	1
12	5/16" X 31mm Screw	1
13	Extension Pole	1
14	Bolt 1/2" - 13 X 1"	1
15	5/16" Knob	1
16	Collar	1
17	Cap Screw 1/4 - 20 X 1 1/4"	1
18	Power Cord 10 ft. (Not Shown)	1
19	Screw #8 - 32 X 1/4"	1
20	Outer Column	1
21	Carriage Bolt 5/16" - 18 X .750	5
22	Base Plate	1
23	Lock Washer 5/16"	5
24	Nut 5/16 - 18	5
25	Pull Chain	1
26	Spring	1
27	Bottom Collar	1



**Record Product's Serial Number Here:** \_\_\_\_\_

**Note:** If product has no serial number, record month and year of purchase instead.

**Note:** Some parts are listed and shown for illustration purposes only, and are not available individually as replacement parts.

## Limited 90 Day Warranty

Harbor Freight Tools Co. makes every effort to assure that its products meet high quality and durability standards, and warrants to the original purchaser that this product is free from defects in materials and workmanship for the period of 90 days from the date of purchase. This warranty does not apply to damage due directly or indirectly, to misuse, abuse, negligence or accidents, repairs or alterations outside our facilities, criminal activity, improper installation, normal wear and tear, or to lack of maintenance. We shall in no event be liable for death, injuries to persons or property, or for incidental, contingent, special or consequential damages arising from the use of our product. Some states do not allow the exclusion or limitation of incidental or consequential damages, so the above limitation of exclusion may not apply to you. THIS WARRANTY IS EXPRESSLY IN LIEU OF ALL OTHER WARRANTIES, EXPRESS OR IMPLIED, INCLUDING THE WARRANTIES OF MERCHANTABILITY AND FITNESS.

To take advantage of this warranty, the product or part must be returned to us with transportation charges prepaid. Proof of purchase date and an explanation of the complaint must accompany the merchandise. If our inspection verifies the defect, we will either repair or replace the product at our election or we may elect to refund the purchase price if we cannot readily and quickly provide you with a replacement. We will return repaired products at our expense, but if we determine there is no defect, or that the defect resulted from causes not within the scope of our warranty, then you must bear the cost of returning the product.

This warranty gives you specific legal rights and you may also have other rights which vary from state to state.



3491 Mission Oaks Blvd. • PO Box 6009 • Camarillo, CA 93011 • 1-888-866-5797