

# Owner's Manual & Safety Instructions

**Save This Manual** Keep this manual for the safety warnings and precautions, assembly, operating, inspection, maintenance and cleaning procedures. Write the product's serial number in the back of the manual near the assembly diagram (or month and year of purchase if product has no number). Keep this manual and the receipt in a safe and dry place for future reference.

23e



## 450/900 Watt Oscillating Parabolic Heater



**62313**

Visit our website at: <http://www.harborfreight.com>  
Email our technical support at: [productsupport@harborfreight.com](mailto:productsupport@harborfreight.com)

When unpacking, make sure that the product is intact and undamaged. If any parts are missing or broken, please call 1-888-866-5797 as soon as possible.

Copyright © 2023 by Harbor Freight Tools®. All rights reserved.  
No portion of this manual or any artwork contained herein may be reproduced in any shape or form without the express written consent of Harbor Freight Tools. Diagrams within this manual may not be drawn proportionally. Due to continuing improvements, actual product may differ slightly from the product described herein. Tools required for assembly and service may not be included.

### **⚠ WARNING**

Read this material before using this product.  
Failure to do so can result in serious injury.  
**SAVE THIS MANUAL.**

# IMPORTANT INSTRUCTIONS






When using electrical appliances, basic precautions should always be followed to reduce the risk of fire, electric shock, and injury to persons, including the following:

1. Read all instructions before using this heater.
2. This heater is hot when in use. To avoid burns, do not let bare skin touch hot surfaces. If provided, use handles when moving this heater. Keep combustible materials, such as furniture, pillows, bedding, papers, clothes, and curtains at least 3 feet (0.9m) from the front of the heater and keep them away from the sides and rear.
3. Extreme caution is necessary when any heater is used by or near children or invalids and whenever the heater is left operating and unattended.
4. Always unplug heater when not in use.
5. Do not operate any heater with a damaged cord or plug or after the heater malfunctions, has been dropped or damaged in any manner. Discard heater, or return to authorized service facility for examination and/or repair.
6. Do not use outdoors.
7. This heater is not intended for use in bathrooms, laundry areas and similar indoor locations. Never locate heater where it may fall into a bathtub or other water container.
8. Do not run cord under carpeting. Do not cover cord with throw rugs, runners, or similar coverings. Do not route cord under furniture or appliances. Arrange cord away from traffic area and where it will not be tripped over.
9. To disconnect heater, turn controls to off, then remove plug from outlet.
10. Do not insert or allow foreign objects to enter any ventilation or exhaust opening as this may cause an electric shock or fire, or damage the heater.
11. To prevent a possible fire, do not block air intakes or exhaust in any manner. Do not use on soft surfaces, like a bed, where openings may become blocked.
12. A heater has hot and arcing or sparking parts inside. Do not use it in areas where gasoline, paint, or flammable liquids are used or stored.
13. Use this heater only as described in this manual. Any other use not recommended by the manufacturer may cause fire, electric shock, or injury to persons.
14. Always plug heaters directly into a wall outlet/receptacle. Never use with an extension cord or relocatable power strip.
15. Place heater on a hard, stable, level surface before operating to avoid tipping. The tip over switch may prevent operation if the heater is placed on a soft surface.
16. This appliance has a polarized plug (one blade is wider than the other). To reduce the risk of electric shock, this plug is intended to fit into a polarized outlet only one way. If the plug does not fit fully in the outlet, reverse the plug. If it still does not fit, contact a qualified electrician. Do not change the plug in any way. Do not attempt to defeat this safety feature.
17. Maintain labels and nameplates on the heater. If unreadable or missing, contact Harbor Freight Tools for a replacement.
18. This heater is not a toy. Do not allow children to operate heater controls or play with or near heater.
19. Any other servicing not specifically explained in this manual must be performed only by an authorized service representative.
20. Disconnect the Power Cord from the outlet and allow the heater to thoroughly cool before cleaning, servicing, or storing this heater. Such preventive safety measures reduce the risk of burns, electric shock, and fire.
21. Even though this heater has a Tip Over Shutoff Switch, it must be monitored at all times while operating. The Tip Over Shutoff Switch is a backup safety device only, and is not intended to permit unattended operation.
22. People with pacemakers should consult their physician(s) before use. Electromagnetic fields in close proximity to heart pacemaker could cause pacemaker interference or pacemaker failure.
23. The warnings, precautions, and instructions discussed in this instruction manual cannot cover all conditions and situations that may occur. It must be understood by operator that common sense and caution are factors which cannot be built into this heater, but must be supplied by operator.



**SAVE THESE INSTRUCTIONS**

## WARNING SYMBOLS AND DEFINITIONS

	This is the safety alert symbol. It is used to alert you to potential personal injury hazards. Obey all safety messages that follow this symbol to avoid possible injury or death.
	Indicates a hazardous situation which, if not avoided, will result in death or serious injury.
	Indicates a hazardous situation which, if not avoided, could result in death or serious injury.
	Indicates a hazardous situation which, if not avoided, could result in minor or moderate injury.
	Addresses practices not related to personal injury.



## Specifications

Electrical Rating	120VAC / 60Hz / 450/900W
Tip Over	Shutoff

## User Instructions



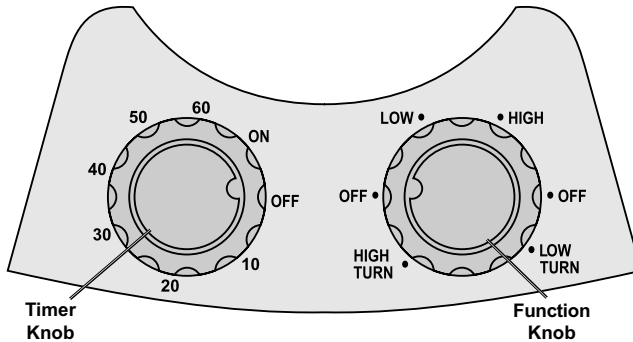
Read the **ENTIRE IMPORTANT INSTRUCTIONS** section at the beginning of this manual including all text under subheadings therein before set up or use of this heater.

### **WARNING**

**TO PREVENT SERIOUS INJURY FROM BURNS, FIRE OR ELECTRIC SHOCK:**

Turn all heater controls off, unplug the heater from its electrical outlet, and allow the heater to cool completely before set up or making any adjustments to the heater.

## Functions



## Operation

1. Place heater on a hard, stable, level surface away from flammable objects.
2. Make sure that all controls are the off-position, then plug the heater directly into a wall outlet.
3. Turn the Function Knob to the desired function:  
**LOW** - Low heat setting. Heater will not turn.  
**HIGH** - High heat setting. Heater will not turn.  
**LOW TURN** - Low heat setting. Heater will slowly oscillate.  
**HIGH TURN** - Low heat setting. Heater will slowly oscillate.
4. Turn the Timer Knob to the desired operation time, in minutes. Turn the Timer Knob to ON for continuous operation without automatic shutoff.

**WARNING! TO PREVENT SERIOUS INJURY AND DEATH FROM FIRE: Even though this heater has a Tip Over Switch, it must be monitored at all times while operating. The Tip Over Shutoff Switch is a backup safety device only, and is not intended to permit unattended operation.**

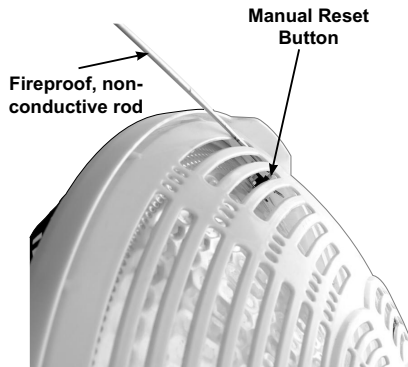
5. To prevent accidents, turn all heater controls off and unplug it after use.
6. Allow heater to cool completely, then clean, and store the heater indoors out of children's reach.

# Troubleshooting

---

## If the heater stops operating, or will not operate:

1. Move heater onto hard, level, stable surface. Soft surfaces, such as carpeting, may trigger the Tip Over Switch and prevent operation.
2. Set **all** controls to heating positions: Turn Function Knob to LOW, HIGH, LOW TURN, or HIGH TURN, and turn Timer Knob to ON or to a numbered timer setting.
3. Make sure Power Cord is directly connected to a powered outlet. Do not use an extension cord. Check that outlet circuit breaker is not tripped.
4. Check heater vents and grill for obstruction. If an obstruction is found, turn all heater controls off, allow it to cool completely, remove obstruction, and plug the heater back in.
5. To reset Heater, unplug and use a fire-proof, non-conductive rod to press the Manual Reset Button.



## User Servicing Instructions



Any other servicing not specifically explained in this manual must be performed only by an authorized service representative.

### **⚠WARNING**

**TO PREVENT SERIOUS INJURY FROM ACCIDENTAL OPERATION OR ELECTRIC SHOCK:** Turn the Power Switch of the heater off, unplug the heater from its electrical outlet, and allow the heater to cool completely before performing any inspection, maintenance, or cleaning procedures.

**TO PREVENT SERIOUS INJURY FROM HEATER FAILURE:** Do not use damaged equipment. If abnormal noise or vibration occurs, have the problem corrected before further use.

1. **BEFORE EACH USE**, inspect the general condition of the heater. Check for:
  - loose hardware,
  - misalignment or binding of moving parts,
  - cracked or broken parts,
  - damaged electrical wiring, and
  - any other condition that may affect its safe operation.
2. Clean regularly to prevent dust from accumulating on the heater. Wipe external surfaces off using a **dry** cloth.

**WARNING!** To prevent serious injury from electric shock, do not get the heater wet.

3. Do not lubricate any parts of this heater.
4. **⚠WARNING! TO PREVENT SERIOUS INJURY:** If the supply cord of this heater is damaged, it must be replaced only by a qualified service technician.
5. After use, coil the cord around the base, and store the heater with the controls in their off positions in a dry, stable, indoor location.

**Note:** Also see **Troubleshooting** on page 5.

## PLEASE READ THE FOLLOWING CAREFULLY

---

THE MANUFACTURER AND/OR DISTRIBUTOR HAS PROVIDED THE PARTS LIST AND ASSEMBLY DIAGRAM IN THIS MANUAL AS A REFERENCE TOOL ONLY. NEITHER THE MANUFACTURER OR DISTRIBUTOR MAKES ANY REPRESENTATION OR WARRANTY OF ANY KIND TO THE BUYER THAT HE OR SHE IS QUALIFIED TO MAKE ANY REPAIRS TO THE PRODUCT, OR THAT HE OR SHE IS QUALIFIED TO REPLACE ANY PARTS OF THE PRODUCT. IN FACT, THE MANUFACTURER AND/OR DISTRIBUTOR EXPRESSLY STATES THAT ALL REPAIRS AND PARTS REPLACEMENTS SHOULD BE UNDERTAKEN BY CERTIFIED AND LICENSED TECHNICIANS, AND NOT BY THE BUYER. THE BUYER ASSUMES ALL RISK AND LIABILITY ARISING OUT OF HIS OR HER REPAIRS TO THE ORIGINAL PRODUCT OR REPLACEMENT PARTS THERETO, OR ARISING OUT OF HIS OR HER INSTALLATION OF REPLACEMENT PARTS THERETO.

**Record Serial Number Here:** \_\_\_\_\_

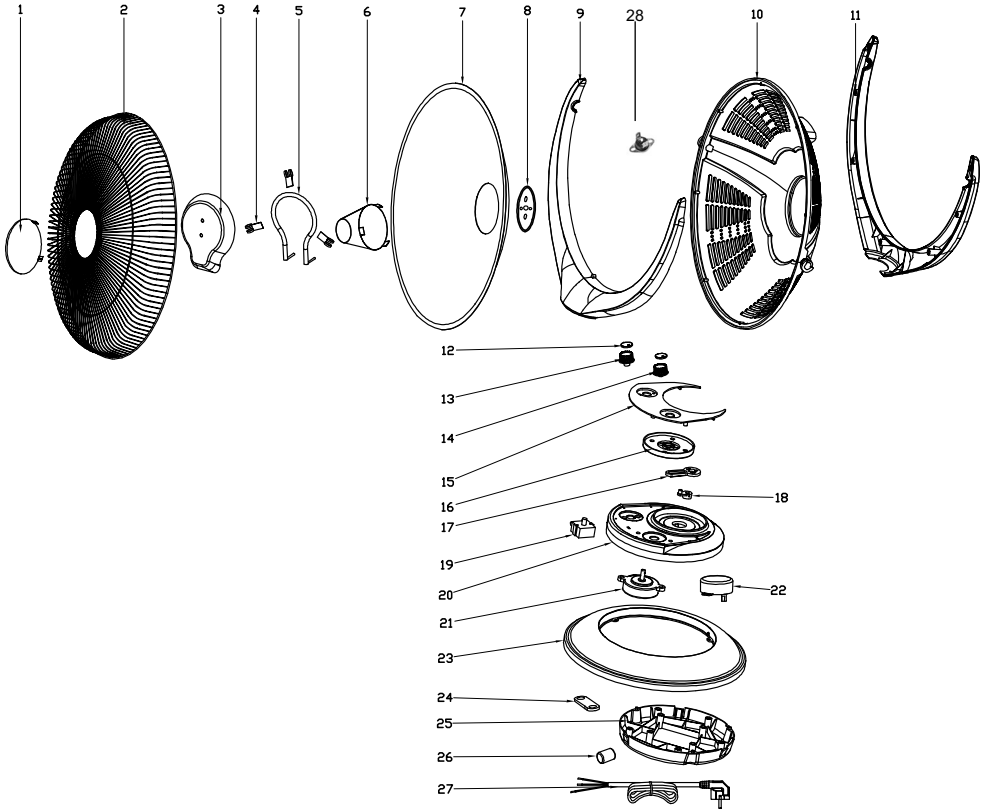
**Note:** If heater has no serial number, record month and year of purchase instead.

**Note:** Some parts are listed and shown for illustration purposes only, and are not available individually as replacement parts. Specify UPC 792363623131 when ordering parts.

# Parts List and Diagram

Part	Description	Qty
1	Center Cover	1
2	Grill	1
3	Front Reflector	1
4	Tube Clip	3
5	Heating Element	1
6	Support Tube	1
7	Rear Reflector	1
8	Rear Reflector Bracket	1
9	Front Fork	1
10	Rear Cover	1
11	Rear Fork	1
12	Knob Cover	2
13	Function Knob	1
14	Timer Knob	1

Part	Description	Qty
15	Plate	1
16	Turntable	1
17	Connector	1
18	Oscillator	1
19	Tip Over Shutoff Switch	1
20	Control Panel	1
21	Timer	1
22	Motor	1
23	Base Cover	1
24	Clamp Plate	1
25	Base	1
26	Diode	1
27	Power Cord	1
28	Manual Reset Button	1



## Limited 90 Day Warranty

Harbor Freight Tools Co. makes every effort to assure that its products meet high quality and durability standards, and warrants to the original purchaser that this product is free from defects in materials and workmanship for the period of 90 days from the date of purchase. This warranty does not apply to damage due directly or indirectly, to misuse, abuse, negligence or accidents, repairs or alterations outside our facilities, criminal activity, improper installation, normal wear and tear, or to lack of maintenance. We shall in no event be liable for death, injuries to persons or property, or for incidental, contingent, special or consequential damages arising from the use of our product. Some states do not allow the exclusion or limitation of incidental or consequential damages, so the above limitation of exclusion may not apply to you. THIS WARRANTY IS EXPRESSLY IN LIEU OF ALL OTHER WARRANTIES, EXPRESS OR IMPLIED, INCLUDING THE WARRANTIES OF MERCHANTABILITY AND FITNESS.

To take advantage of this warranty, the product or part must be returned to us with transportation charges prepaid. Proof of purchase date and an explanation of the complaint must accompany the merchandise. If our inspection verifies the defect, we will either repair or replace the product at our election or we may elect to refund the purchase price if we cannot readily and quickly provide you with a replacement. We will return repaired products at our expense, but if we determine there is no defect, or that the defect resulted from causes not within the scope of our warranty, then you must bear the cost of returning the product.

This warranty gives you specific legal rights and you may also have other rights which vary from state to state.

