

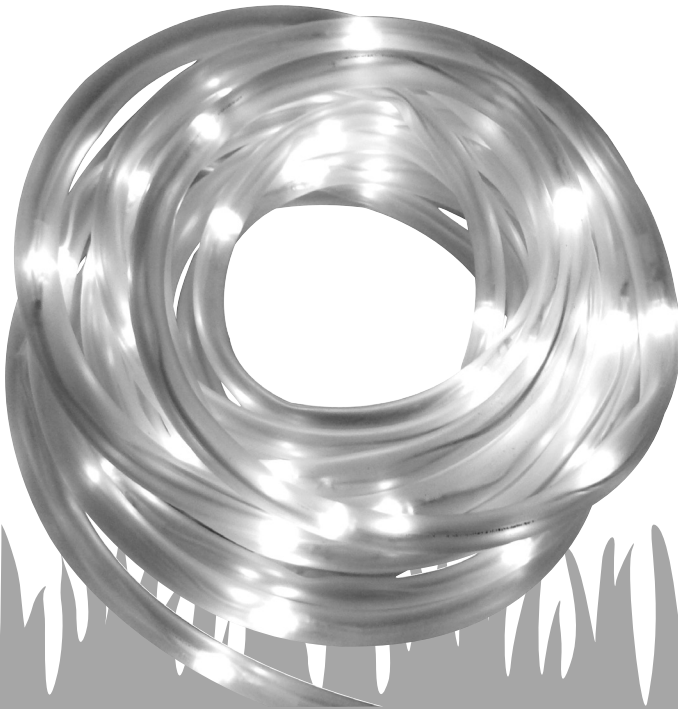
# Owner's Manual & Safety Instructions

Save This Manual Keep this manual for the safety warnings and precautions, assembly, operating, inspection, maintenance and cleaning procedures. Write the product's serial number in the back of the manual near the assembly diagram (or month and year of purchase if product has no number). Keep this manual and the receipt in a safe and dry place for future reference.

REV 15a



## Solar Rope Light



**ITEM 62533**

Visit our website at: <http://www.harborfreight.com>  
Email our technical support at: [productsupport@harborfreight.com](mailto:productsupport@harborfreight.com)

When unpacking, make sure that the product is intact and undamaged. If any parts are missing or broken, please call 1-888-866-5797 as soon as possible.

Copyright© 2015 by Harbor Freight Tools®. All rights reserved.

No portion of this manual or any artwork contained herein may be reproduced in any shape or form without the express written consent of Harbor Freight Tools. Diagrams within this manual may not be drawn proportionally. Due to continuing improvements, actual product may differ slightly from the product described herein. Tools required for assembly and service may not be included.

### **⚠WARNING**

**Read this material before using this product.  
Failure to do so can result in serious injury.  
SAVE THIS MANUAL.**

## Specifications

|          |               |
|----------|---------------|
| Run Time | up to 8 hours |
| Length   | 22'           |
| Battery  | 1x 'AA' NiMH  |

## Important Safety Information

1. **Verify that installation surface has no hidden utility lines before drilling, driving screws, or digging to insert stake.**
2. Place/mount the LED Rope to prevent tripping or choking. **Keep out of reach of young children and babies.**
3. Install only according to these instructions. Improper installation can create hazards.
4. Wear ANSI-approved safety goggles and heavy-duty work gloves during installation.
5. Keep installation area clean and well lit.
6. Keep bystanders out of the area during installation.
7. Do not install when tired or when under the influence of drugs or medication.
8. This product is not a toy. Do not allow children to play with or near this item.
9. Use as intended only.
10. **BATTERY MUST BE DISPOSED OF PROPERLY.**

## Installation Instructions



Read the **ENTIRE IMPORTANT SAFETY INFORMATION** section at the beginning of this document including all text under subheadings therein before set up or use of this product.

### Selecting a Location

1. Select a mounting location that will receive full sunlight as many hours in the day as possible.
2. Even partial shade will greatly hinder charging and therefore limit operation time.
3. If the area has strong nighttime light sources, these may prevent the light from turning on at night, or may cause it to flicker instead of turning on completely.

### Wall Mounting

1. Select a wall location without hidden cables or utility lines. Turn off all power in the wall for added safety.
2. Place the Wall Base in the desired location and mark through the mounting holes.
3. Set the Wall Base aside and drill holes in the marked locations appropriate for the Anchors.
4. Insert the Anchors into the holes, align the holes in the Base with the Anchors, and secure it in place with the Screws.
5. Attach the Panel Connector to the Wall Base.
6. Attach the Solar Panel to the slots on the Panel Connector.

### Stake Mounting

1. Select a ground location to insert the Stake.
2. Make sure that there are no hidden obstacles or utility lines in the area.

3. If the ground is too hard to insert the stake, dig a hole large enough for the stake, refill the hole, and slightly pack the ground to give some support.
4. Insert the Stake into the hole.
5. Attach the Stake Connector onto the top of the Stake.
6. Attach the Panel Connector to the top of the Stake Connector.
7. Attach the Solar Panel to the slots on the Panel Connector.

## LED Rope Mounting

1. The LED Rope can be left loose, or can be mounted to an object.
2. Place/mount the LED Rope to prevent tripping or choking. **Keep out of reach of young children and babies.**
3. If wall mounting, select a location without hidden cables or utility lines. Also, turn off all power in the wall for safety.
4. Drill holes for the Rope Anchors in the desired locations. All 8 Rope Clips should be used to reduce the length of loose sections.
5. Place the LED Rope through the Rope Clips.
6. Insert the Rope Anchors into the holes, align the holes in the Clips with the Anchors, and secure in place with the Rope Screws.

## Operation Instructions

1. For best results, allow light to charge with switch in off position for at least 1 day before switching on.
2. Turn the switch underneath Solar Panel to ON.
3. Light will turn on at dusk and turn off at dawn.

## Battery Replacement

1. Turn the switch underneath Solar Panel to OFF.
2. Remove the screws under the Solar Panel.
3. Open the Solar Panel. Remove the old battery and recycle or dispose of it properly.
4. BATTERY MUST BE DISPOSED OF PROPERLY.
5. Install a new battery of same size and type in the Solar Panel.
6. Close the Solar Panel and secure with the screws.

**Note:** Some parts are listed and shown for illustration purposes only, and are not available individually as replacement parts.

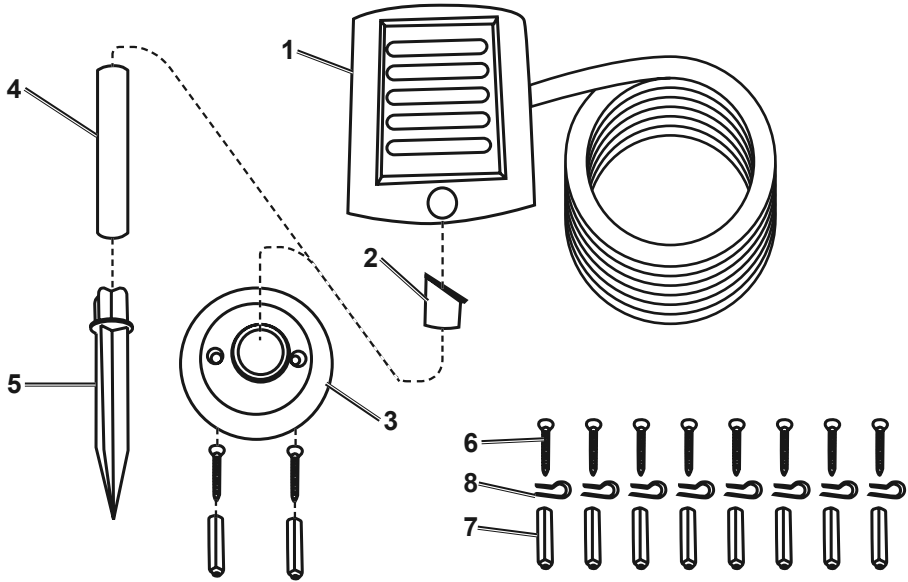
## PLEASE READ THE FOLLOWING CAREFULLY

THE MANUFACTURER AND/OR DISTRIBUTOR HAS PROVIDED THE PARTS LIST AND ASSEMBLY DIAGRAM IN THIS DOCUMENT AS A REFERENCE TOOL ONLY. NEITHER THE MANUFACTURER OR DISTRIBUTOR MAKES ANY REPRESENTATION OR WARRANTY OF ANY KIND TO THE BUYER THAT HE OR SHE IS QUALIFIED TO MAKE ANY REPAIRS TO THE PRODUCT, OR THAT HE OR SHE IS QUALIFIED TO REPLACE ANY PARTS OF THE PRODUCT. IN FACT, THE MANUFACTURER AND/OR DISTRIBUTOR EXPRESSLY STATES THAT ALL REPAIRS AND PARTS REPLACEMENTS SHOULD BE UNDERTAKEN BY CERTIFIED AND LICENSED TECHNICIANS, AND NOT BY THE BUYER. THE BUYER ASSUMES ALL RISK AND LIABILITY ARISING OUT OF HIS OR HER REPAIRS TO THE ORIGINAL PRODUCT OR REPLACEMENT PARTS THERETO, OR ARISING OUT OF HIS OR HER INSTALLATION OF REPLACEMENT PARTS THERETO.

# Parts List and Assembly Diagram

| Part | Description              | Qty |
|------|--------------------------|-----|
| 1    | Solar Panel and LED Rope | 1   |
| 2    | Panel Connector          | 1   |
| 3    | Wall Base                | 1   |
| 4    | Pole                     | 1   |

| Part | Description | Qty |
|------|-------------|-----|
| 5    | Stake       | 1   |
| 6    | Screw       | 10  |
| 7    | Anchor      | 10  |
| 8    | Clip        | 8   |



## Limited 90 Day Warranty

Harbor Freight Tools Co. makes every effort to assure that its products meet high quality and durability standards, and warrants to the original purchaser that this product is free from defects in materials and workmanship for the period of 90 days from the date of purchase. This warranty does not apply to damage due directly or indirectly, to misuse, abuse, negligence or accidents, repairs or alterations outside our facilities, criminal activity, improper installation, normal wear and tear, or to lack of maintenance. We shall in no event be liable for death, injuries to persons or property, or for incidental, contingent, special or consequential damages arising from the use of our product. Some states do not allow the exclusion or limitation of incidental or consequential damages, so the above limitation of exclusion may not apply to you. **THIS WARRANTY IS EXPRESSLY IN LIEU OF ALL OTHER WARRANTIES, EXPRESS OR IMPLIED, INCLUDING THE WARRANTIES OF MERCHANTABILITY AND FITNESS.**

To take advantage of this warranty, the product or part must be returned to us with transportation charges prepaid. Proof of purchase date and an explanation of the complaint must accompany the merchandise. If our inspection verifies the defect, we will either repair or replace the product at our election or we may elect to refund the purchase price if we cannot readily and quickly provide you with a replacement. We will return repaired products at our expense, but if we determine there is no defect, or that the defect resulted from causes not within the scope of our warranty, then you must bear the cost of returning the product.

This warranty gives you specific legal rights and you may also have other rights which vary from state to state.

