

Owner's Manual & Safety Instructions

Save This Manual Keep this manual for the safety warnings and precautions, assembly, operating, inspection, maintenance and cleaning procedures. Write the product's serial number in the back of the manual (or month and year of purchase if product has no number). Keep this manual and the receipt in a safe and dry place for future reference.

22k

U.S. GENERAL

24" x 36" Two Shelf STEEL SERVICE CART



62587

Visit our website at: <http://www.harborfreight.com>
Email our technical support at: productsupport@harborfreight.com

When unpacking, make sure that the product is intact and undamaged. If any parts are missing or broken, please call 1-888-866-5797 as soon as possible.

Copyright© 2022 by Harbor Freight Tools®. All rights reserved.
No portion of this manual or any artwork contained herein may be reproduced in any shape or form without the express written consent of Harbor Freight Tools. Diagrams within this manual may not be drawn proportionally. Due to continuing improvements, actual product may differ slightly from the product described herein.
Tools required for assembly and service may not be included.

⚠ WARNING

Read this material before using this product.
Failure to do so can result in serious injury.
SAVE THIS MANUAL.

Specifications

Capacity	450 lb
Tray Depth	3-1/2"
Wheels	5" Rubber Casters
Dimensions	39" L x 24" W x 32-1/2" H

IMPORTANT SAFETY INFORMATION

Assembly Precautions

1. Assemble only according to these instructions. Improper assembly can create hazards.
2. Wear ANSI-approved safety goggles and heavy-duty work gloves during assembly.
3. Keep assembly area clean and well lit.
4. Keep bystanders out of the area during assembly.
5. Do not assemble when tired or when under the influence of alcohol, drugs or medication.
6. Weight capacity and other product capabilities apply to properly and completely assembled product only.
7. Assemble on a flat, level, hard and smooth surface capable of safely supporting loaded Cart.

Use Precautions

1. **DO NOT SIT, STAND OR CLIMB ON THIS ITEM.**
2. Do not allow children to play with or near this item. This item is NOT children's furniture.
3. Do not exceed 450 lb weight capacity. Evenly distribute load from bottom up. Uneven loading causes tipping. **Be aware of dynamic loading!** Sudden load movement may briefly create excess load causing tipping.
4. Do not pull, push to move.
5. Use only on a flat, level, hard and smooth surface capable of safely supporting a fully loaded unit. Use care when rolling over concrete seams.
6. Do not lift using handle(s). Do not lift while loaded.
7. Lock Swivel Casters after moving.
8. Do not mount on truck bed or any other moving object.
9. Use as intended only.
10. Inspect before every use; do not use if parts are loose or damaged.
11. Wear ANSI-approved safety goggles and heavy-duty work gloves during assembly.
12. Maintain product labels and nameplates. These carry important safety information. If unreadable or missing, contact Harbor Freight Tools for a replacement.
13. Read instruction manual before assembly and/or use.



SAVE THESE INSTRUCTIONS.

U.S. GENERAL

Assembly Instructions



Read the **ENTIRE IMPORTANT SAFETY INFORMATION** section at the beginning of this manual including all text under subheadings therein before set up or use of this product.

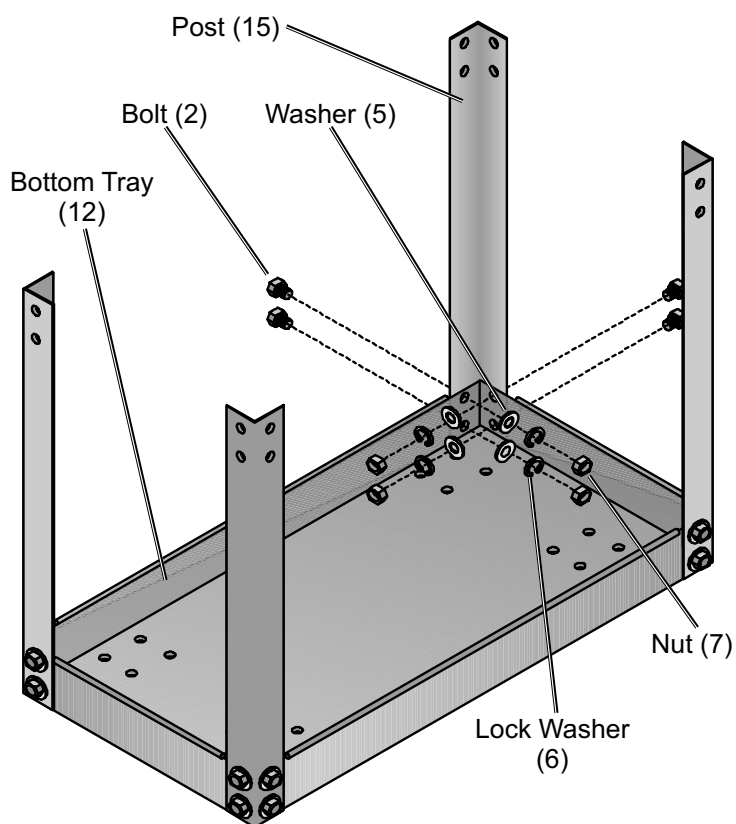
Note: For additional information regarding the parts listed in the following pages, refer to the Assembly Diagram near the end of this manual. 10mm, 14mm and 17mm sockets and/or wrenches are required for assembly.

Unwrap and separate all parts on a clear work area.

Attaching Posts to Bottom Tray

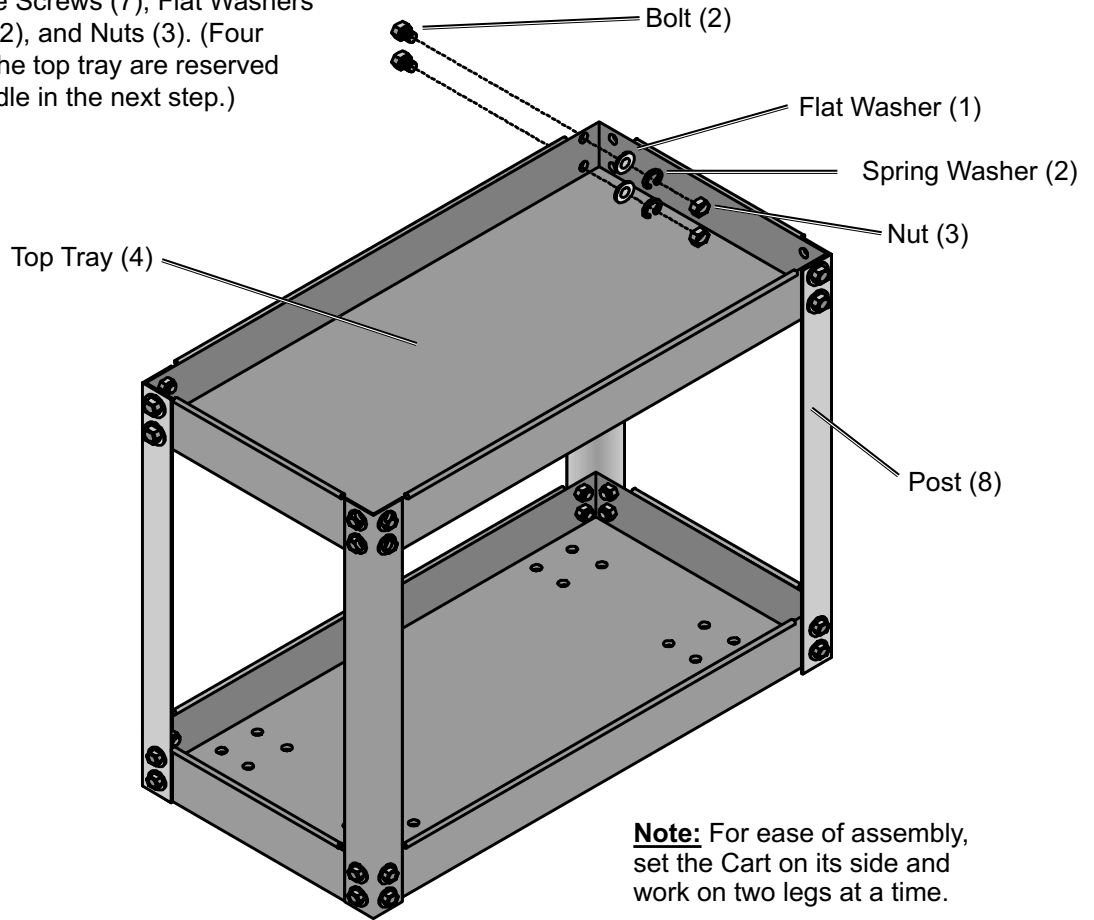
Lay the Bottom Tray (12) (the tray with four sets of four holes on the bottom) on the floor and attach the Posts (15) to the outside corners of the tray using sixteen Bolts (2), Washers (5), Lock Washers (6), and Nuts (7).

Note: It is best to leave all nuts and bolts loose until assembly is finished, then tighten all fasteners. This will make it easier to install and align all components.



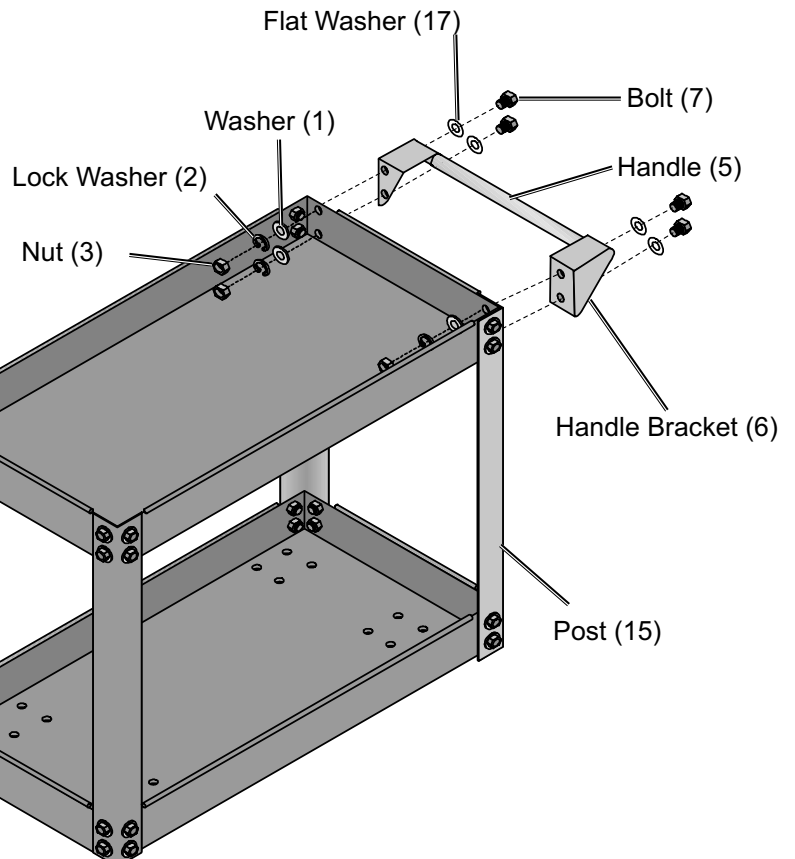
Attaching Top Tray

Attach Top Tray (4) to the other end of the Posts (8) using twelve Screws (7), Flat Washers (1), Spring Washers (2), and Nuts (3). (Four holes on one end of the top tray are reserved for attaching the Handle in the next step.)



Attaching Handle

Assemble the Handle Brackets (6,9) onto ends of Handle (5) and attach Handle to end of Posts (15) using the Bolts (7), Flat Washers (17), Washers (1), Spring Washers (2), and Nuts (3).

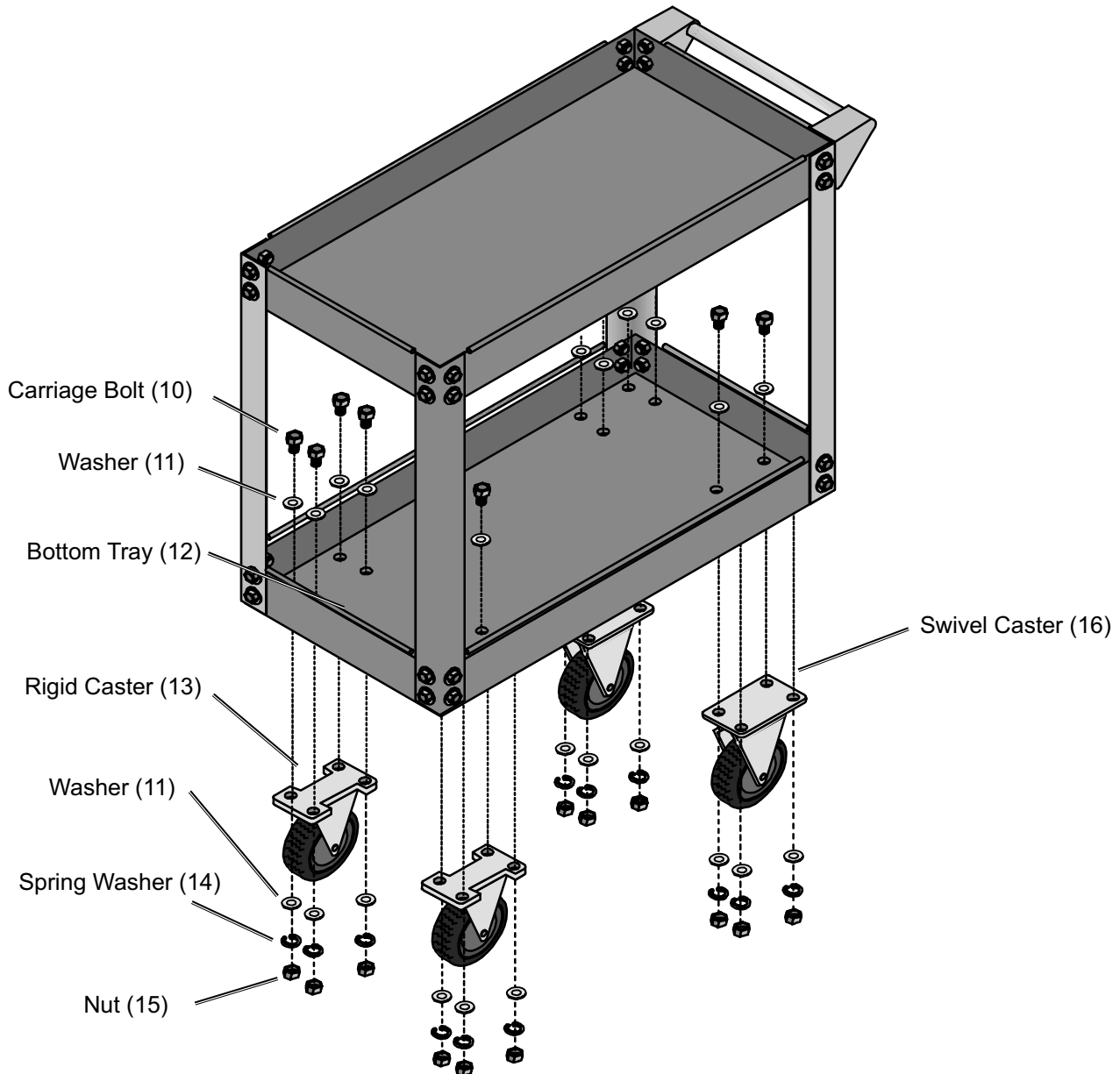


Attaching Casters

1. Decide on which end of the cart to mount the pair of Rigid Casters (13) and pair of Swivel Casters (16). For example, mounting the Fixed Casters on the Handle end of the Cart will make a push cart like those in a grocery store.
2. Attach each Fixed Caster to one end of the Bottom Tray using four Carriage Bolts (10), Washers (11), Spring Washers (14) and Nuts (15).

Note: Before tightening the Caster Bolts, ensure the square underneath the head of the Carriage Bolt aligns with the square hole in the Bottom tray.

3. Attach each Swivel Caster to the remaining end of the Bottom Tray using the remaining Carriage Bolts (10), Spring Washers (14) and Nuts (15).
4. Make sure all fasteners are tight.



Operation Instructions



Read the **ENTIRE IMPORTANT SAFETY INFORMATION** section at the beginning of this document including all text under subheadings therein before set up or use of this product.

1. Fill Cart evenly, from bottom to top.
Do not exceed weight capacities.
2. Close all Drawers and lock them.
3. Unlock Swivel Casters.
4. Roll Cart to a flat, level, hard and smooth surface capable of safely supporting a fully loaded Cart. Do not roll Cart over concrete seams or other rough/uneven surfaces.
5. Lock Swivel Casters.

Maintenance and Servicing



Procedures not specifically explained in this manual must be performed only by a qualified technician.

!WARNING

TO PREVENT SERIOUS INJURY FROM TOOL FAILURE:

Do not use damaged equipment. If any part becomes damaged, have the problem corrected before further use.

1. **PERIODICALLY**, inspect the general condition of the Cart. Check for:
 - loose hardware,
 - misalignment or binding of moving parts,
 - caster swivel function and movement,
 - cracked or broken parts,
 - any other condition that may affect its safe operation.
2. Wipe external surfaces of the Cart with clean cloth.

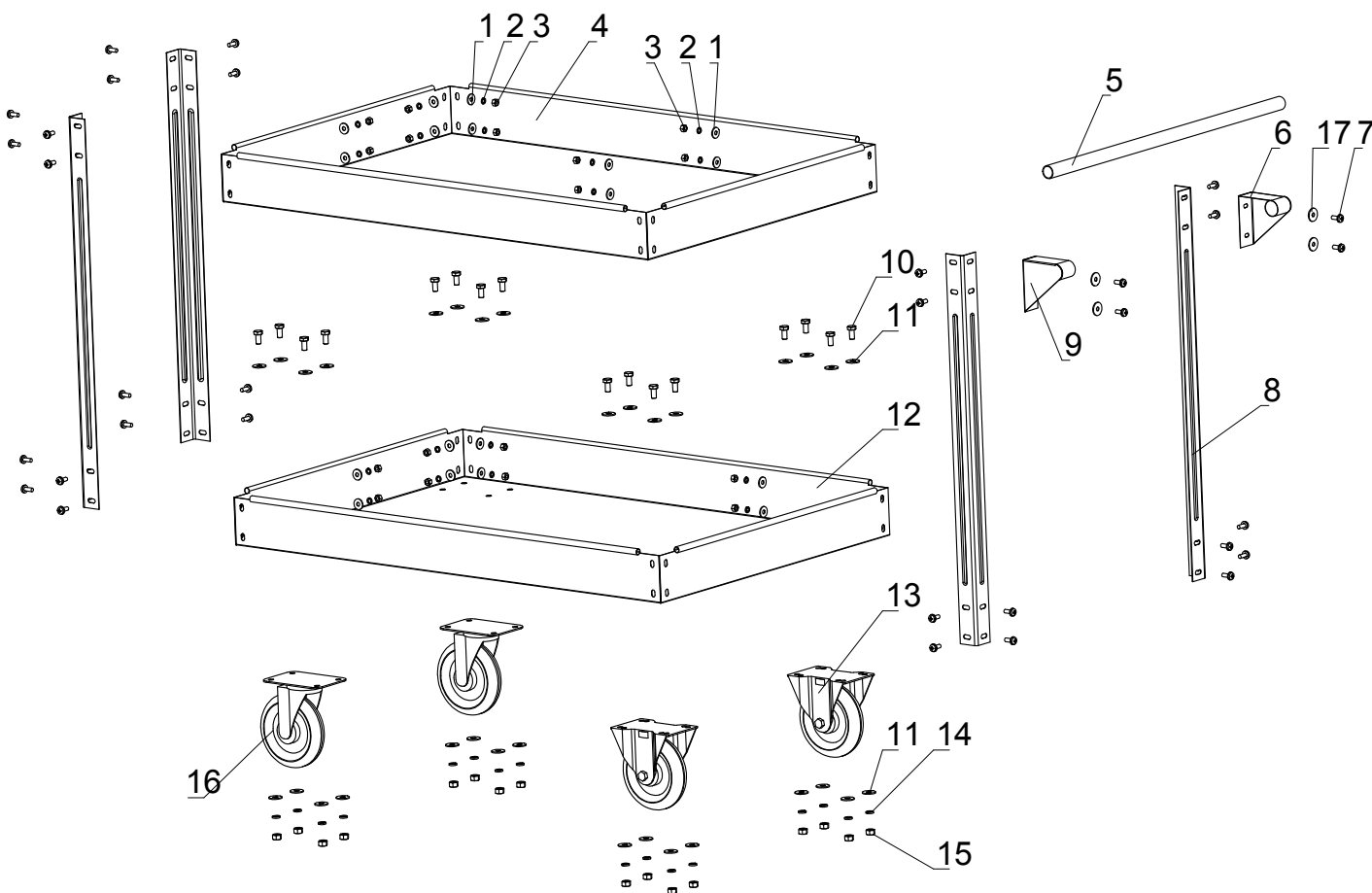
PLEASE READ THE FOLLOWING CAREFULLY

THE MANUFACTURER AND/OR DISTRIBUTOR HAS PROVIDED THE PARTS LIST AND ASSEMBLY DIAGRAM IN THIS DOCUMENT AS A REFERENCE TOOL ONLY. NEITHER THE MANUFACTURER OR DISTRIBUTOR MAKES ANY REPRESENTATION OR WARRANTY OF ANY KIND TO THE BUYER THAT HE OR SHE IS QUALIFIED TO MAKE ANY REPAIRS TO THE PRODUCT, OR THAT HE OR SHE IS QUALIFIED TO REPLACE ANY PARTS OF THE PRODUCT. IN FACT, THE MANUFACTURER AND/OR DISTRIBUTOR EXPRESSLY STATES THAT ALL REPAIRS AND PARTS REPLACEMENTS SHOULD BE UNDERTAKEN BY CERTIFIED AND LICENSED TECHNICIANS, AND NOT BY THE BUYER. THE BUYER ASSUMES ALL RISK AND LIABILITY ARISING OUT OF HIS OR HER REPAIRS TO THE ORIGINAL PRODUCT OR REPLACEMENT PARTS THERETO, OR ARISING OUT OF HIS OR HER INSTALLATION OF REPLACEMENT PARTS THERETO.

Parts List and Assembly Diagram

Part	Description	Qty
1	Flat Washer Ø6	32
2	Spring Washer Ø6	32
3	Nut M6	32
4	Upper Tray	1
5	Handle	1
6	Handle Fixing Bracket 1	1
7	Bolt M6 x 12	32
8	Post	4
9	Handle Fixing Bracket 2	1

Part	Description	Qty
10	Bolt M8 x 16	16
11	Flat Washer Ø8	32
12	Lower Tray	1
13	Rigid Caster	2
14	Spring Washer	16
15	Nut M8	16
16	Swivel Caster	2
17	Flat Washer Ø6 x 1.5	4



Record Product's Serial Number Here: _____

Note: If product has no serial number, record month and year of purchase instead.

Note: Some parts are listed and shown for illustration purposes only, and are not available individually as replacement parts. Specify UPC 193175485090 when ordering parts.

Limited 90 Day Warranty

Harbor Freight Tools Co. makes every effort to assure that its products meet high quality and durability standards, and warrants to the original purchaser that this product is free from defects in materials and workmanship for the period of 90 days from the date of purchase. This warranty does not apply to damage due directly or indirectly, to misuse, abuse, negligence or accidents, repairs or alterations outside our facilities, criminal activity, improper installation, normal wear and tear, or to lack of maintenance. We shall in no event be liable for death, injuries to persons or property, or for incidental, contingent, special or consequential damages arising from the use of our product. Some states do not allow the exclusion or limitation of incidental or consequential damages, so the above limitation of exclusion may not apply to you. THIS WARRANTY IS EXPRESSLY IN LIEU OF ALL OTHER WARRANTIES, EXPRESS OR IMPLIED, INCLUDING THE WARRANTIES OF MERCHANTABILITY AND FITNESS.

To take advantage of this warranty, the product or part must be returned to us with transportation charges prepaid. Proof of purchase date and an explanation of the complaint must accompany the merchandise. If our inspection verifies the defect, we will either repair or replace the product at our election or we may elect to refund the purchase price if we cannot readily and quickly provide you with a replacement. We will return repaired products at our expense, but if we determine there is no defect, or that the defect resulted from causes not within the scope of our warranty, then you must bear the cost of returning the product.

This warranty gives you specific legal rights and you may also have other rights which vary from state to state.

U.S. GENERAL

26677 Agoura Road • Calabasas, CA 91302 • 1-888-866-5797