

# Owner's Manual & Safety Instructions

**Save This Manual** Keep this manual for the safety warnings and precautions, assembly, operating, inspection, maintenance and cleaning procedures. Write the product's serial number in the back of the manual near the assembly diagram (or month and year of purchase if product has no number). Keep this manual and the receipt in a safe and dry place for future reference.

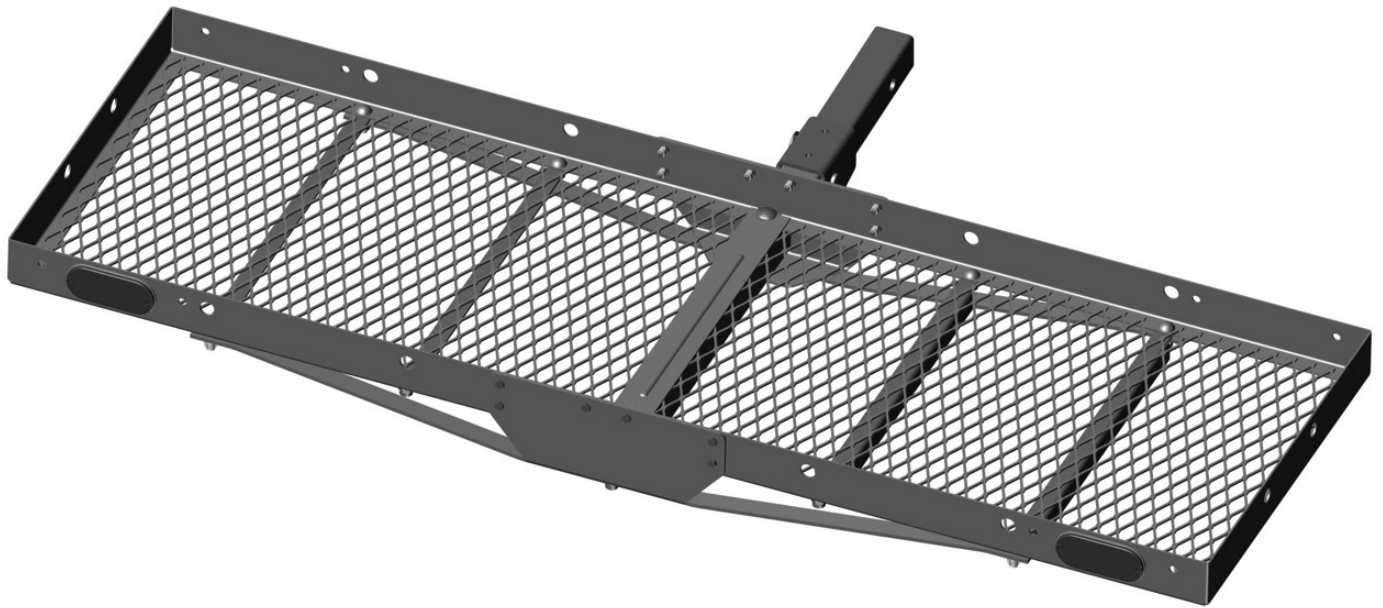
21d

62660

**750 LB. CAPACITY\***

**HaulMaster®**

## HEAVY DUTY FOLDING CARGO CARRIER



\*Capacity limited by receiver capacity. See specifications chart.

Visit our website at: <http://www.harborfreight.com>  
Email our technical support at: [productsupport@harborfreight.com](mailto:productsupport@harborfreight.com)

When unpacking, make sure that the product is intact and undamaged. If any parts are missing or broken, please call 1-888-866-5797 as soon as possible.

Copyright© 2021 by Harbor Freight Tools®. All rights reserved.  
No portion of this manual or any artwork contained herein may be reproduced in any shape or form without the express written consent of Harbor Freight Tools. Diagrams within this manual may not be drawn proportionally. Due to continuing improvements, actual product may differ slightly from the product described herein.  
Tools required for assembly and service may not be included.

### **⚠ WARNING**

Read this material before using this product. Failure to do so can result in serious injury. **SAVE THIS MANUAL.**

## Specifications

Load Capacity	Up to 450 lb when attached to SAE Class III receiver Up to 750 lb when attached to SAE Class IV receiver
Vehicle Hitch Receiver Size	2"
Inside Platform Dimensions	60"L x 19"W x 2-7/16"H

## IMPORTANT SAFETY INFORMATION

### Assembly Precautions

1. Assemble only according to these instructions. Improper assembly can create hazards.
2. Wear ANSI-approved safety goggles and heavy-duty work gloves during assembly.
3. Keep assembly area clean and well lit.
4. Stay alert, watch what you are doing and use common sense when using the Carrier. Do not use the Carrier while you are tired or under the influence of drugs, alcohol or medication. *A moment of inattention while using the Carrier may result in serious personal injury.*
5. Keep bystanders out of the area during assembly.
6. Do not assemble when tired or when under the influence of alcohol, drugs or medication.
7. Weight capacity and other product capabilities apply to properly and completely assembled product only.

### Use Precautions

1. This product is not a toy. Do not allow children to play with or near this item.
2. Use as intended only.
3. Inspect before every use; do not use if parts are loose or damaged.
4. Weight capacity when attached to SAE Class III receiver with 500 lb tongue weight capacity: 450 lb. Weight capacity when attached to SAE Class IV receiver with at least 800 lb tongue weight capacity: 750 lb. Do not exceed either weight capacity. Be aware of dynamic loading! Suddenly bouncing or dropping load may briefly create excess load causing product failure. **DO NOT EXCEED RECEIVER TONGUE CAPACITY.**
5. Only use Carrier with a properly installed 2" hitch receiver.
6. Follow DOT guidelines for installation and use.
7. Install sufficiently far away from hot exhaust to prevent heat damage to carrier or cargo.
8. Do not store flammable items on Carrier.
9. Load heaviest items toward the center of the Carrier. Be aware of openings and use larger containers that will not fall through gaps in the Carrier's framework.
10. Secure load before moving.
11. Turn vehicle's ignition OFF, set parking brake, and chock wheels before installing, loading, or unloading.
12. Wear ANSI-approved safety goggles and heavy-duty work gloves during installation, loading, and unloading.
13. Use this Carrier in accordance with these instructions and in the manner intended for this particular type of product, taking into account the area conditions and the task to be performed. *Use of this Carrier for operations different from those intended could result in a hazardous situation.*
14. Store the Carrier out of reach of children and do not allow people unfamiliar with the Carrier or these instructions to use the Carrier. *Use of carrier by untrained people may not be safe.*
15. **To prevent fire and heat damage to carrier and cargo, DO NOT install near vehicle exhaust. Carrier may not be compatible with vehicles with rear-facing exhaust.**

## Service

---

1. Have this Carrier serviced by a qualified repair person using only identical replacement parts. *This will ensure that the safety of the Carrier is maintained.*
2. Maintain the Carrier. Check for misalignment or binding of moving parts, breakage of parts and any other condition that may affect the Carrier's operation. If damaged, have the Carrier repaired before use. *Many accidents are caused by poorly maintained equipment.*
3. Maintain product labels and nameplates. These carry important safety information. If unreadable or missing, contact Harbor Freight Tools for a replacement.

## General Safety

---

The warnings, cautions, and instructions discussed in this instruction manual cannot cover all possible conditions and situations that may occur. It must be understood by the operator that common sense and caution are factors which cannot be built into this product, but must be supplied by the operator.



**SAVE THESE INSTRUCTIONS.**

## Assembly Instructions



Read the **ENTIRE IMPORTANT SAFETY INFORMATION** section at the beginning of this document including all text under subheadings therein before set up or use of this product.

**Note:** Wire mesh bottom of Carrier is not shown in some illustrations.

Finger tighten all connections until assembly is done. Assemble on a flat, level, hard surface.

1. Connect Frames (1) together with Rear Plate (3) and Front Plate (6) using Hex Bolts (2), Washers (5), and Locknuts (4).

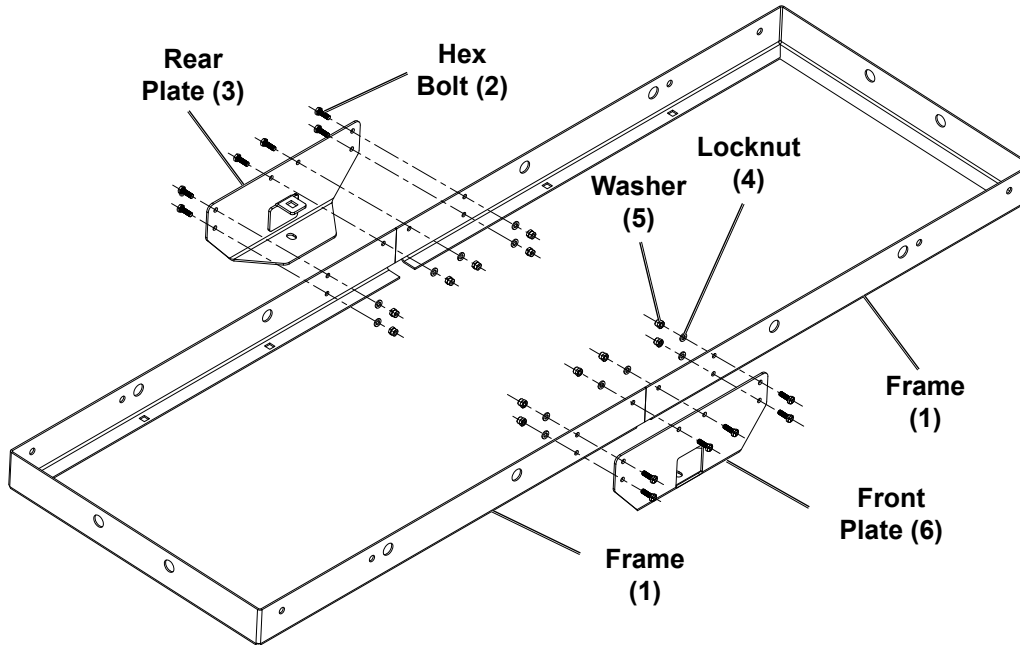


Figure A:

2. Connect middle Supports (9) to Frame with shortest Carriage Bolts (8) and Locknuts (10).
3. Connect outer Supports (9) and Support Braces (11) to Frame with Carriage Bolts (7) and Locknuts (10).

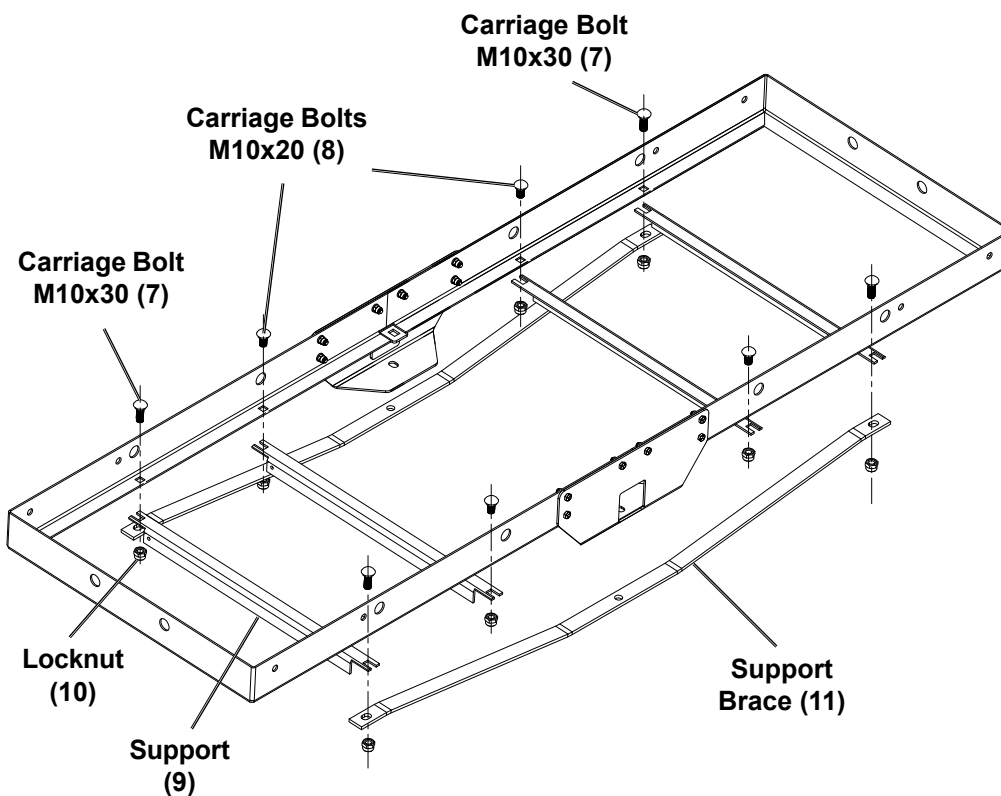


Figure B:

- Slide Support Tube (14) into Frame and secure with Center Plate (12) using long Carriage Bolts (13) and Locknuts (10).

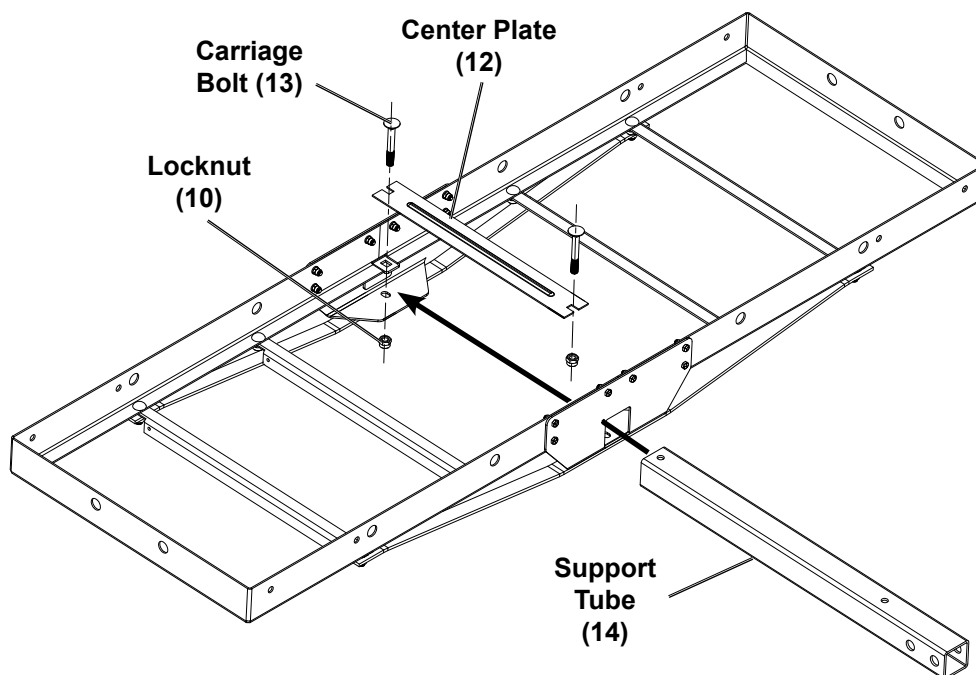


Figure C:

- Slide Connecting Tube (15) over Support Tube. Secure with Hex Bolt (17) and Locknut (18), then secure with Pin (16) and R-Clip (19).

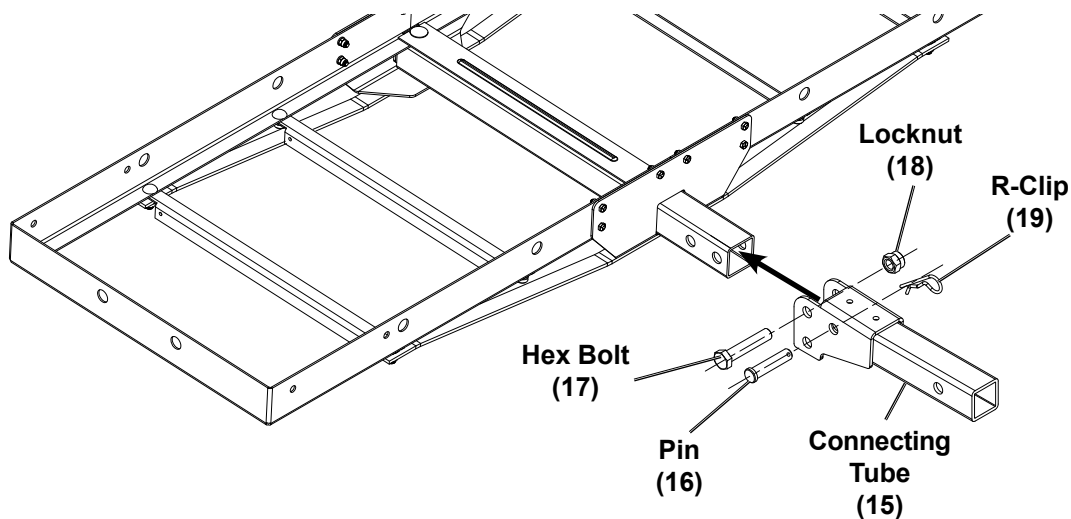


Figure D:

- Peel protective backing from Reflectors (20), then stick them to back of Carrier as shown in Figure E:.

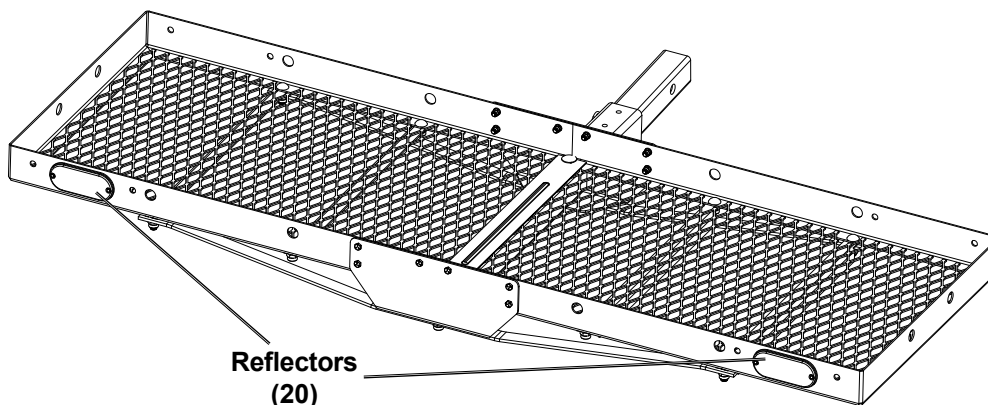


Figure E:

- Tighten all hardware securely.

## Operation Instructions

### **⚠WARNING**

**TO PREVENT SERIOUS INJURY:** Make sure the vehicle is turned off and in gear or park, with the emergency brake engaged and the wheels chocked.

**Make sure the Carrier is secured onto the vehicle.  
Make sure the Carrier is clean and dry before loading.**

**WARNING! TO PREVENT SERIOUS INJURY:** Do not exceed this Carrier's maximum weight capacity of up to 450 lb when attached to SAE Class III receiver and up to 750 lb when attached to SAE Class IV receiver.

1. With assistance, lift Carrier and insert Connecting Tube into towing vehicle's 2" hitch receiver (not included).
2. Slide Hitch Pin (not included) through pin holes and fasten in place by inserting R-Clip (not included).

**WARNING! TO PREVENT SERIOUS INJURY:** Make sure that the Hitch Pin is completely inserted and the R-Clip is securely attached.

3. With assistance, place items onto Carrier. Center load on Carrier. Secure load using appropriate tie-downs, ropes, flags, etc. (not included).

4. To store in folded position, remove R-Clip and Pin from upper position, fold Carrier up, then replace Pin and R-Clip in lower position.

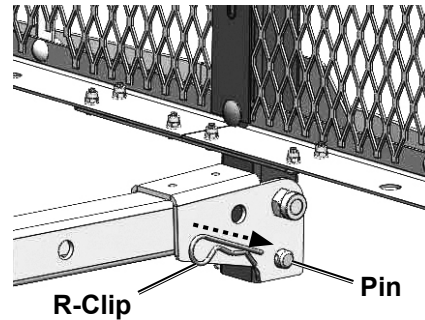


Figure F:

## Maintenance and Servicing



Procedures not specifically explained in this manual must be performed only by a qualified technician.

### **⚠WARNING**

**TO PREVENT SERIOUS INJURY:** Remove load from the Carrier before performing any maintenance or service.

**Do not use damaged equipment. If the Carrier is damaged have the problem corrected before further use.**

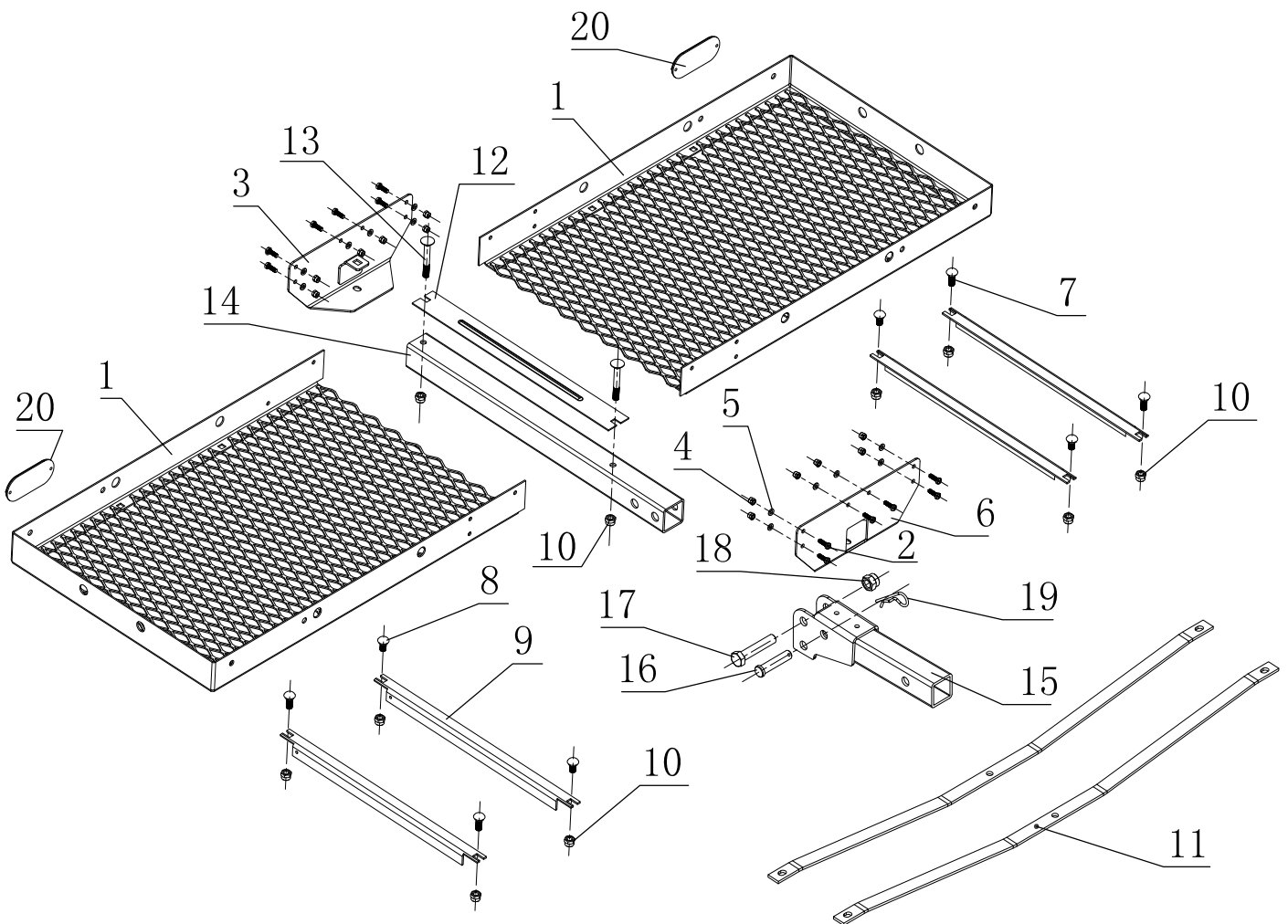
## Cleaning, Maintenance, and Lubrication

1. **BEFORE EACH USE**, inspect the general condition of the Carrier. Check for:
  - loose hardware,
  - misalignment or binding of parts,
  - cracked or broken parts, and
  - any other condition that may affect its safe operation.
2. **AFTER EACH USE**, Clean Carrier with mild detergent and clean cloth. Make sure there is no dirt, oil, grease, or debris on Carrier.

## Parts List and Diagram

Part	Description	Qty
1	Frame	2
2	Hex Bolt (M6)	12
3	Rear Plate	1
4	Locknut (M6)	12
5	Washer (M6)	12
6	Front plate	1
7	Carriage Bolt (M10x30)	4
8	Carriage Bolt (M10x20)	4
9	Support	4
10	Locknut (M10)	10

Part	Description	Qty
11	Support Brace	2
12	Center Plate	1
13	Carriage Bolt (M10x75)	2
14	Support Tube	1
15	Connecting Tube	1
16	Pin (5/8")	1
17	Hex Bolt (M16)	1
18	Locknut (M16)	1
19	R-Clip	1
20	Reflector	2



**Record Serial Number Here:**

---

**Note:** If product has no serial number, record month and year of purchase instead.

**Note:** Some parts are listed and shown for illustration purposes only, and are not available individually as replacement parts. Specify UPC 792363626606 when ordering parts.

## PLEASE READ THE FOLLOWING CAREFULLY

---

THE MANUFACTURER AND/OR DISTRIBUTOR HAS PROVIDED THE PARTS LIST AND ASSEMBLY DIAGRAM IN THIS DOCUMENT AS A REFERENCE TOOL ONLY. NEITHER THE MANUFACTURER OR DISTRIBUTOR MAKES ANY REPRESENTATION OR WARRANTY OF ANY KIND TO THE BUYER THAT HE OR SHE IS QUALIFIED TO MAKE ANY REPAIRS TO THE PRODUCT, OR THAT HE OR SHE IS QUALIFIED TO REPLACE ANY PARTS OF THE PRODUCT. IN FACT, THE MANUFACTURER AND/OR DISTRIBUTOR EXPRESSLY STATES THAT ALL REPAIRS AND PARTS REPLACEMENTS SHOULD BE UNDERTAKEN BY CERTIFIED AND LICENSED TECHNICIANS, AND NOT BY THE BUYER. THE BUYER ASSUMES ALL RISK AND LIABILITY ARISING OUT OF HIS OR HER REPAIRS TO THE ORIGINAL PRODUCT OR REPLACEMENT PARTS THERETO, OR ARISING OUT OF HIS OR HER INSTALLATION OF REPLACEMENT PARTS THERETO.

### Limited 90 Day Warranty

Harbor Freight Tools Co. makes every effort to assure that its products meet high quality and durability standards, and warrants to the original purchaser that this product is free from defects in materials and workmanship for the period of 90 days from the date of purchase. This warranty does not apply to damage due directly or indirectly, to misuse, abuse, negligence or accidents, repairs or alterations outside our facilities, criminal activity, improper installation, normal wear and tear, or to lack of maintenance. We shall in no event be liable for death, injuries to persons or property, or for incidental, contingent, special or consequential damages arising from the use of our product. Some states do not allow the exclusion or limitation of incidental or consequential damages, so the above limitation of exclusion may not apply to you. THIS WARRANTY IS EXPRESSLY IN LIEU OF ALL OTHER WARRANTIES, EXPRESS OR IMPLIED, INCLUDING THE WARRANTIES OF MERCHANTABILITY AND FITNESS.

To take advantage of this warranty, the product or part must be returned to us with transportation charges prepaid. Proof of purchase date and an explanation of the complaint must accompany the merchandise. If our inspection verifies the defect, we will either repair or replace the product at our election or we may elect to refund the purchase price if we cannot readily and quickly provide you with a replacement. We will return repaired products at our expense, but if we determine there is no defect, or that the defect resulted from causes not within the scope of our warranty, then you must bear the cost of returning the product.

This warranty gives you specific legal rights and you may also have other rights which vary from state to state.



26541 Agoura Road • Calabasas, CA 91302 • 1-888-866-5797