

# Owner's Manual & Safety Instructions

**Save This Manual** Keep this manual for the safety warnings and precautions, assembly, operating, inspection, maintenance and cleaning procedures. Write the product's serial number in the back of the manual near the assembly diagram (or month and year of purchase if product has no number). Keep this manual and the receipt in a safe and dry place for future reference.

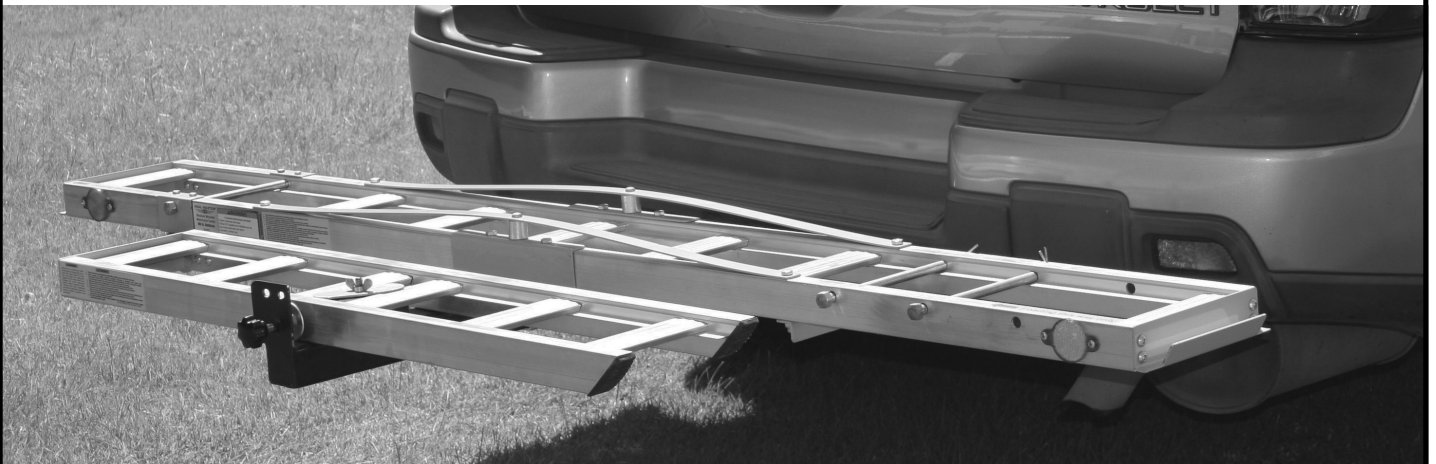
REV 15g

ITEM 62837

**400 LB. CAPACITY**

**HaulMaster®**

## RECEIVER-MOUNT MOTORCYCLE CARRIER



Visit our website at: <http://www.harborfreight.com>  
Email our technical support at: [productsupport@harborfreight.com](mailto:productsupport@harborfreight.com)

When unpacking, make sure that the product is intact and undamaged. If any parts are missing or broken, please call 1-888-866-5797 as soon as possible.

Copyright© 2015 by Harbor Freight Tools®. All rights reserved.  
No portion of this manual or any artwork contained herein may be reproduced in any shape or form without the express written consent of Harbor Freight Tools. Diagrams within this manual may not be drawn proportionally. Due to continuing improvements, actual product may differ slightly from the product described herein.  
Tools required for assembly and service may not be included.

### **⚠ WARNING**

**Read this material before using this product.  
Failure to do so can result in serious injury.  
SAVE THIS MANUAL.**

# Table of Contents

Safety .....	2	Maintenance .....	6
Assembly Instructions.....	4	Parts List and Diagram.....	7
Assembly.....	4	Warranty .....	8
Operation.....	5		



SAFETY

ASSEMBLY

OPERATION

MAINTENANCE

## WARNING SYMBOLS AND DEFINITIONS

	This is the safety alert symbol. It is used to alert you to potential personal injury hazards. Obey all safety messages that follow this symbol to avoid possible injury or death.
	Indicates a hazardous situation which, if not avoided, will result in death or serious injury.
	Indicates a hazardous situation which, if not avoided, could result in death or serious injury.
	Indicates a hazardous situation which, if not avoided, could result in minor or moderate injury.
	Addresses practices not related to personal injury.

## IMPORTANT SAFETY INFORMATION



**WARNING** Read all safety warnings and instructions. *Failure to follow the warnings and instructions may result in serious injury.*

Save all warnings and instructions for future reference

### General Safety Information

1. **Work area safety**
  - a. **Keep work area clean and well lit.** *Cluttered or dark areas invite accidents.*
  - b. **Keep children and bystanders away during use.** *Distractions can cause you to lose control.*
2. **Personal safety**
  - a. **Stay alert, watch what you are doing and use common sense during use. Do not use while you are tired or under the influence of drugs, alcohol or medication.** *A moment of inattention during use may result in serious personal injury.*
  - b. **Use personal protective equipment. Always wear eye protection.** *Safety equipment such as dust mask, non-skid safety shoes, or hearing protection used for appropriate conditions will reduce personal injuries.*
  - c. **Do not overreach. Keep proper footing and balance at all times.** *This enables better control of the product in unexpected situations.*
  - d. **Dress properly. Do not wear loose clothing or jewelry. Keep your hair, clothing and gloves away from moving parts.** *Loose clothes, jewelry or long hair can be caught in moving parts.*
  - e. **Only use safety equipment that has been approved by an appropriate standards agency.** *Unapproved safety equipment may not provide adequate protection. Eye protection must be ANSI-approved.*

### 3. Carrier use and care

- a. *Store the Carrier out of the reach of children and do not allow persons unfamiliar with the it or these instructions to operate. Equipment is dangerous in the hands of untrained users.*
- b. **Maintain the Carrier. Check for misalignment or binding parts, breakage of parts and any other condition that may affect operation. If damaged, have the product repaired before use. Many accidents are caused by poorly maintained products.**

4. Use the Carrier in accordance with these instructions, taking into account the working conditions and the work to be performed. Use of this equipment for operations different from those intended could result in a hazardous situation.

## Motorcycle Carrier Safety Information

1. Secure motorcycle frame and wheels securely using ratcheting tie downs (not included) and included pins.
2. Push, do not drive, the motorcycle onto the Carrier.
3. Obey all DOT regulations pertaining to mounting the Carrier onto a vehicle.
4. Only use this product with a vehicle that has a 2" square receiver hitch, rated to at least Class III, and can bear the additional weight of both the Carrier and motorcycle.
5. Do not sit on motorcycle while loading, unloading, or while supported on carrier.
6. Do not exceed maximum load for this product (400 lb.). Loading a heavier object on this product can result in dangerous conditions to both the operator and the item loaded.
7. Maintain labels and nameplates on the tool. These carry important safety information. If unreadable or missing, contact Harbor Freight Tools for a replacement.
8. Keep bystanders out of the area during assembly, loading and unloading.
9. The warnings, precautions, and instructions discussed in this instruction manual cannot cover all possible conditions and situations that may occur. It must be understood by the operator that common sense and caution are factors which cannot be built into this product, but must be supplied by the operator.



**SAVE THESE INSTRUCTIONS.**

### Specifications

Weight Capacity	400 lb
Motorcycle Platform Size	78-3/4" L x 8-5/8" W
Receiver Size	2"

# Assembly Instructions



Read the **ENTIRE IMPORTANT SAFETY INFORMATION** section at the beginning of this manual including all text under subheadings therein before set up or use of this product.

**Note:** For additional information regarding the parts listed in the following pages, refer to *Parts List and Diagram* on page 7.

1. Attach the two Wheel Clamps (23) to the Platform (1), using two Bolts (21) and Lock Nuts (22) for each Clamp. Install Lock Pin (8) into Platform. Secure with with R-pin (6). See Figure A.

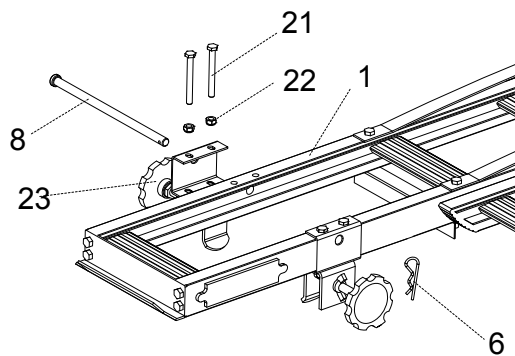


Figure A

2. Install Lock Pins (8) and Adjustment Pin (16) into Platform. Secure with with R-pins (6). See Figure B.

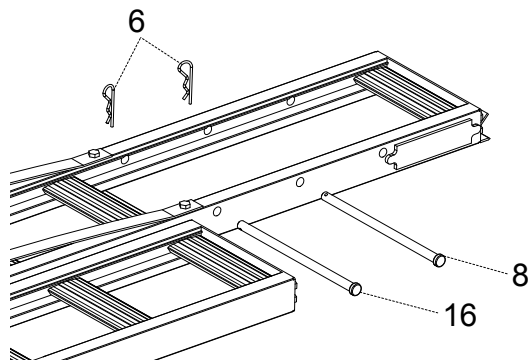


Figure B

3. Unscrew Nuts (22) from underside of Bracket (25).

4. Line up Bracket Bolts (21) with corresponding holes in Tube (3). Secure with Nuts (22). See Figure C.

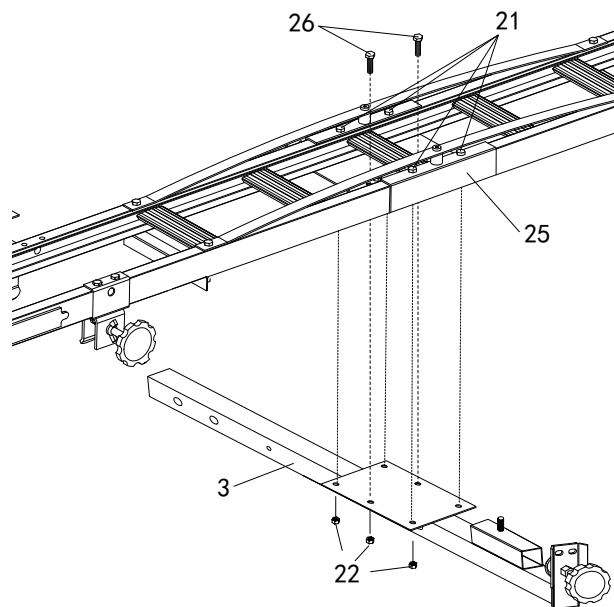


Figure C

5. Further secure Bracket to Tube with two additional Bolts (26) and Nuts.
6. Attach Tie Down Brackets (4) to Tube with Bolt (21) and Nut (22). See Figure D.

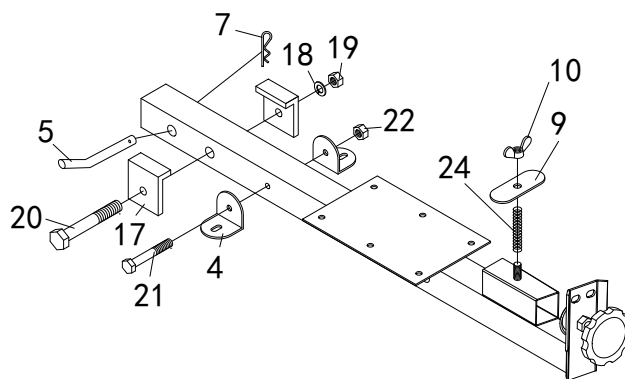


Figure D

7. Insert Tube into Class III (or better) 2" receiver of a vehicle and lock in place with Hitch Pin (5). Insert R-Pin (7) through hole in Hitch Pin to hold it in place.
8. Attach Stabilizers (17) to Tube using Bolt (20), Washer (18), and Nut (19). Tighten Stabilizers in place to reduce vibration of the Carrier.
9. Mount Ramp (2) to Tube with Press Spring (24), Wingnut (10), and Press Plate (9). Secure tightly before moving vehicle.

SAFETY

ASSEMBLY

OPERATION

MAINTENANCE

## Operation Instructions



Read the **ENTIRE IMPORTANT SAFETY INFORMATION** section at the beginning of this manual including all text under subheadings therein before set up or use of this product.

## Loading

1. Remove LEFT Wheel Lock Pin (8), Adjustment Pin (16), and their R-pins (6). **Insert RIGHT Wheel Lock Pin and secure it in place, if it has been removed.**

2. Move Adjustment Pin so motorcycle's weight will be centered on Platform.

**Note:** Some larger wheels will require Adjustment Pin to be left off entirely. If used, secure Adjustment Pin in place with a R-pin.

3. Remove Wingnut (10), Press Plate (9) and Ramp (2).
4. Hook Ramp (2) to lip on RIGHT side of platform. The Ramp must be secured to Platform.

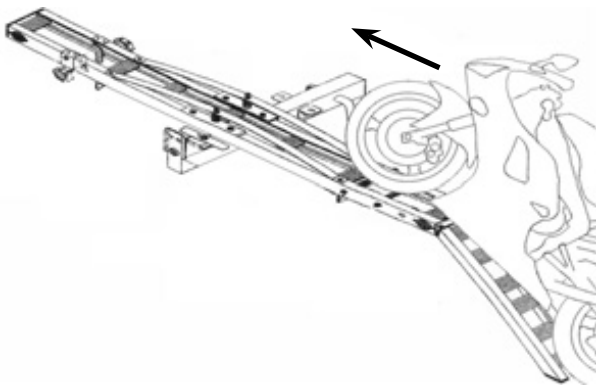


Figure E

5. Put motorcycle in neutral and, with an assistant, push it up Ramp. **Stop when front wheel reaches center of Platform** and have assistant support motorcycle.
6. Remove right Wheel Lock Pin, and its R-pin.
7. Push motorcycle completely onto carrier. Install both Wheel Lock Pins through motorcycle wheels and secure with R-pins.

**Note:** If a wheel cannot be secured with Wheel Lock Pins, use properly-rated ratchet tie downs to firmly secure it to its end of platform.

8. Put motorcycle in gear.

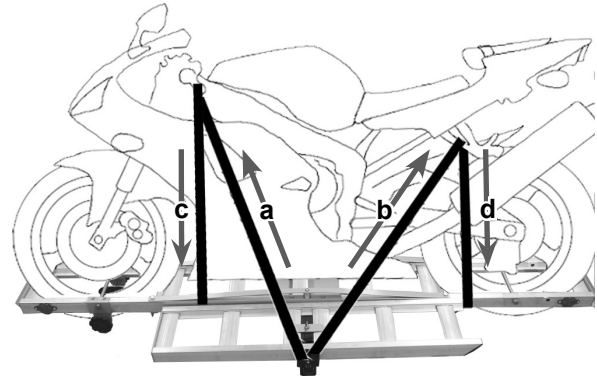


Figure F

9. Tie down motorcycle, as shown above (view from outboard side):
  - a. Connect a ratcheting tie down from bracket on end of Tube, over front frame of motorcycle and to Platform on the inboard side.
  - b. Connect a second ratcheting tie down from bracket on end of Tube, over rear frame of motorcycle and to Platform on the inboard side.
  - c. Connect a third ratcheting tie down to Tie Down Bracket (4). Stretch tie down over front frame of motorcycle and connect to Platform on the outboard side.
  - d. Connect a fourth ratcheting tie down to Tie Down Bracket (4). Stretch over rear frame of motorcycle and connect to Platform on the outboard side.
10. Use ratcheting tie downs to compress motorcycle's suspension evenly until there is no possibility of motorcycle coming loose.
11. Turn knob on each Wheel Clamp to secure motorcycle's front wheel.
12. Return Ramp to mounted position and secure with Wingnut and Press Plate.
13. Attach any needed markers and/or lights to carrier and motorcycle as required by vehicle codes.

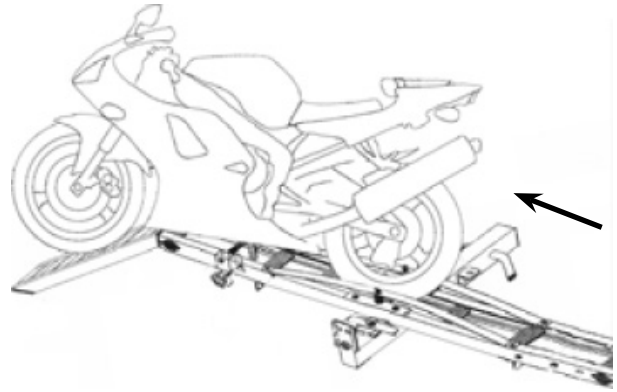
# Unloading

SAFETY

1. Remove Wingnut (10), Press Plate (9) and Ramp (2).
2. Hook Ramp (2) to lip on LEFT side of platform. The Ramp must be secured to Platform.
3. Release motorcycle's front wheel from Wheel Clamps (23).

**⚠ CAUTION! TO PREVENT INJURY:**  
Keep away from motorcycle parts that may suddenly move as tension is released.

4. Have an assistant support motorcycle while carefully releasing tension on all tie downs.
5. Remove both Wheel Lock Pins (8) and their R-pins (6).



**Figure G**

6. Set motorcycle into Neutral gear. With assistance, push motorcycle off Ramp **until rear wheel is halfway across Platform (1)**. Have assistant support motorcycle.
7. Re-insert left Wheel Lock Pin (8) and its R-Pin (6) into Platform under motorcycle center.
8. Push motorcycle down Ramp and off Carrier.
9. Replace all Pins to their positions for storage.
10. Return Ramp (2) to mounted position and secure with Wingnut (10) and Press Plate (9).

ASSEMBLY

## Maintenance and Servicing



Procedures not specifically explained in this manual must be performed only by a qualified technician.

### ⚠ WARNING

**TO PREVENT SERIOUS INJURY FROM PRODUCT FAILURE:**  
Do not use damaged equipment.

OPERATION

## Cleaning, Maintenance, and Lubrication

1. **BEFORE EACH USE**, inspect the general condition of the tool. Check for:
  - loose hardware,
  - misalignment or binding of moving parts,
  - cracked or broken parts, and
  - any other condition that may affect its safe operation.
2. **AFTER USE**, wipe external surfaces of the tool with clean cloth.

MAINTENANCE

Record Product's Serial Number Here: \_\_\_\_\_

**Note:** If product has no serial number, record month and year of purchase instead.

**Note:** Some parts are listed and shown for illustration purposes only, and are not available individually as replacement parts.

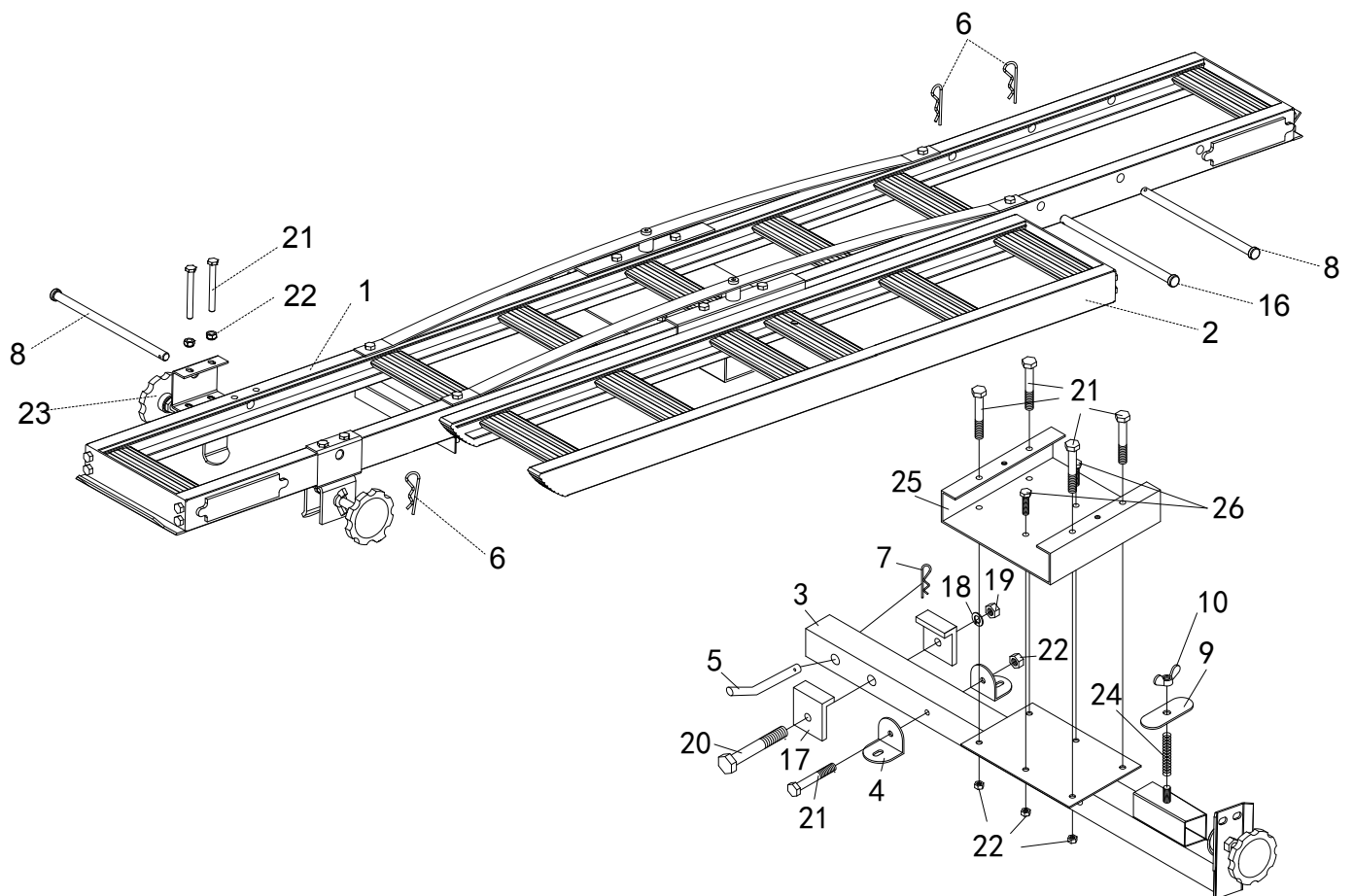
**PLEASE READ THE FOLLOWING CAREFULLY**

THE MANUFACTURER AND/OR DISTRIBUTOR HAS PROVIDED THE PARTS LIST AND ASSEMBLY DIAGRAM IN THIS MANUAL AS A REFERENCE TOOL ONLY. NEITHER THE MANUFACTURER OR DISTRIBUTOR MAKES ANY REPRESENTATION OR WARRANTY OF ANY KIND TO THE BUYER THAT HE OR SHE IS QUALIFIED TO MAKE ANY REPAIRS TO THE PRODUCT, OR THAT HE OR SHE IS QUALIFIED TO REPLACE ANY PARTS OF THE PRODUCT. IN FACT, THE MANUFACTURER AND/OR DISTRIBUTOR EXPRESSLY STATES THAT ALL REPAIRS AND PARTS REPLACEMENTS SHOULD BE UNDERTAKEN BY CERTIFIED AND LICENSED TECHNICIANS, AND NOT BY THE BUYER. THE BUYER ASSUMES ALL RISK AND LIABILITY ARISING OUT OF HIS OR HER REPAIRS TO THE ORIGINAL PRODUCT OR REPLACEMENT PARTS THERETO, OR ARISING OUT OF HIS OR HER INSTALLATION OF REPLACEMENT PARTS THERETO.

**Parts List**

Part	Description	Qty
1	Platform	1
2	Ramp	1
3	2" Tube w/ Bracket	1
4	Tie Down Bracket	2
5	Hitch Pin 5/8"	1
6	R-Pin 3	3
7	R-Pin 4	1 </td
8	Wheel Lock Pin	2
9	Press Plate	1
10	Wing Nut	1
16	Adjustment Pin	1

Part	Description	Qty
17	Stabilizer	2
18	Spring Washer 12	1
19	Nut M12	1
20	Bolt M12*110	1
21	Bolt M6*70	13
22	Lock Nut M6	15
23	Wheel Clamp	3
24	Press Spring	1
25	U-Style Bracket	1
26	Bolt M8*20	2



## Limited 90 Day Warranty

Harbor Freight Tools Co. makes every effort to assure that its products meet high quality and durability standards, and warrants to the original purchaser that this product is free from defects in materials and workmanship for the period of 90 days from the date of purchase. This warranty does not apply to damage due directly or indirectly, to misuse, abuse, negligence or accidents, repairs or alterations outside our facilities, criminal activity, improper installation, normal wear and tear, or to lack of maintenance. We shall in no event be liable for death, injuries to persons or property, or for incidental, contingent, special or consequential damages arising from the use of our product. Some states do not allow the exclusion or limitation of incidental or consequential damages, so the above limitation of exclusion may not apply to you. THIS WARRANTY IS EXPRESSLY IN LIEU OF ALL OTHER WARRANTIES, EXPRESS OR IMPLIED, INCLUDING THE WARRANTIES OF MERCHANTABILITY AND FITNESS.

To take advantage of this warranty, the product or part must be returned to us with transportation charges prepaid. Proof of purchase date and an explanation of the complaint must accompany the merchandise. If our inspection verifies the defect, we will either repair or replace the product at our election or we may elect to refund the purchase price if we cannot readily and quickly provide you with a replacement. We will return repaired products at our expense, but if we determine there is no defect, or that the defect resulted from causes not within the scope of our warranty, then you must bear the cost of returning the product.

This warranty gives you specific legal rights and you may also have other rights which vary from state to state.

