

Owner's Manual & Safety Instructions

Save This Manual Keep this manual for the safety warnings and precautions, assembly, operating, inspection, maintenance and cleaning procedures. Write the product's serial number in the back of the manual near the assembly diagram (or month and year of purchase if product has no number). Keep this manual and the receipt in a safe and dry place for future reference.

REV 16j

VANGUARD™

62952

40ft RETRACTABLE EXTENSION CORD REEL



Visit our website at: <http://www.harborfreight.com>
Email our technical support at: productsupport@harborfreight.com

When unpacking, make sure that the product is intact and undamaged. If any parts are missing or broken, please call 1-888-866-5797 as soon as possible.

Copyright© 2016 by Harbor Freight Tools®. All rights reserved.
No portion of this manual or any artwork contained herein may be reproduced in any shape or form without the express written consent of Harbor Freight Tools. Diagrams within this manual may not be drawn proportionally. Due to continuing improvements, actual product may differ slightly from the product described herein.
Tools required for assembly and service may not be included.

⚠ WARNING

**Read this material before using this product.
Failure to do so can result in serious injury.
SAVE THIS MANUAL.**

Specifications

Rating	1500W/12A/125VAC
Cord	14 AWG x 40'



IMPORTANT SAFETY INFORMATION

Installation Precautions

1. Install only according to these instructions. Improper Installation can create hazards.
2. Wear ANSI-approved safety goggles and heavy-duty work gloves during installation.
3. Keep Installation area clean and well lit.
4. Keep bystanders out of the area during installation.
5. Do not install when tired or when under the influence of alcohol, drugs or medication.
6. Install the Cord Reel properly before connecting to the power supply.
7. If mounted in an area that is not readily accessible, connect this Cord Reel to a switch-controlled outlet; then, if a malfunction occurs, the Reel can be disconnected immediately.
8. Install out of reach of children.
9. Verify that installation surface has no hidden utility lines before drilling or driving screws.

Use Precautions

1. This product is not a toy. Do not allow children to play with or near this item.
2. Wear ANSI-approved safety goggles and heavy-duty work gloves during use.
3. Use as intended only.
4. Inspect before every use; do not use if parts are loose or damaged or if insulation is worn.
5. Maintain product labels and nameplates. These carry important safety information. If unreadable or missing, contact Harbor Freight Tools for a replacement.
6. Plugs must match the outlet. Never modify the plug in any way. Do not use any adapter plugs. Unmodified plugs and matching outlets will reduce risk of electric shock.
7. Avoid body contact with grounded surfaces such as pipes, radiators, ranges and refrigerators. There is an increased risk of electric shock if your body is grounded.
8. When pulling cord from the Cord Reel, grasp the Reel's cord itself, and not the device or tool the cord is plugged into.
9. Do not expose reels to rain or wet conditions. Water entering a reel will increase the risk of electric shock. If operating a reel in a damp location is unavoidable, use a Ground Fault Circuit Interrupter (GFCI) protected supply. Use of a GFCI reduces the risk of electric shock.
10. Check with a qualified electrician if you are in doubt as to whether the outlet is properly grounded. If the plug will not fit the outlet, have a proper outlet installed by a qualified electrician.
11. The plug must be connected to a properly grounded outlet. If the reel should electrically malfunction or break down, grounding provides a low resistance path to carry electricity away from the user, reducing the risk of electric shock.
12. The grounding prong in the plug is connected through the green wire inside the cord to the grounding system in the reel. The green wire in the cord must be the only wire connected to the reel's grounding system and must never be attached to an electrically "live" terminal.
13. The reel must be plugged into an appropriate outlet, properly installed and grounded in accordance with all codes and ordinances.
14. Do not attach an extension cord to this item's input cord.
15. Do not open reel spring mechanism. Spring may eject forcefully if housing is opened.
16. **WARNING:** The cord of this product contains lead and/or di (2-ethylhexyl) phthalate (DEHP), chemicals known to the State of California to cause cancer, and birth defects or other reproductive harm. Wash hands after handling. (California Health & Safety Code § 25249.5, *et seq.*)

Installation Instructions



Read the **ENTIRE IMPORTANT SAFETY INFORMATION** section at the beginning of this document including all text under subheadings therein before set up or use of this product.

1. Unplug the cord reel before installing.
2. Select a mounting location within 2 feet of a grounded, 3-prong, switch-controlled outlet. The cord reel must be mounted to a stud, joist or similar sturdy mounting location able to support cord reel and withstand stress from use.
3. Use mounting holes in the Mounting Bracket (16) as a template to mark the spots where holes will need to be drilled in the installation surface.
4. Drill holes at marked locations. Use 3/8" diameter hardware at least 1" long (sold separately) to mount the Cord Reel. Using smaller hardware may allow the Reel to slip off of the hardware and fall, possibly causing injury.
5. Hang the Reel so that the hardware heads fit tightly into the thin end of the mounting holes in the Mounting Bracket. Install a 1" long, 3/8" diameter screw in the center, round hole to ensure the reel will not come off the hardware heads. Pull on and move the unit back and forth to make sure it is tightly secured to the surface.
6. Plug the reel into a grounded, 3-prong, switch-controlled outlet.

WARNING! Verify that installation surface has no hidden utility lines before drilling or driving screws.

Operation Instructions

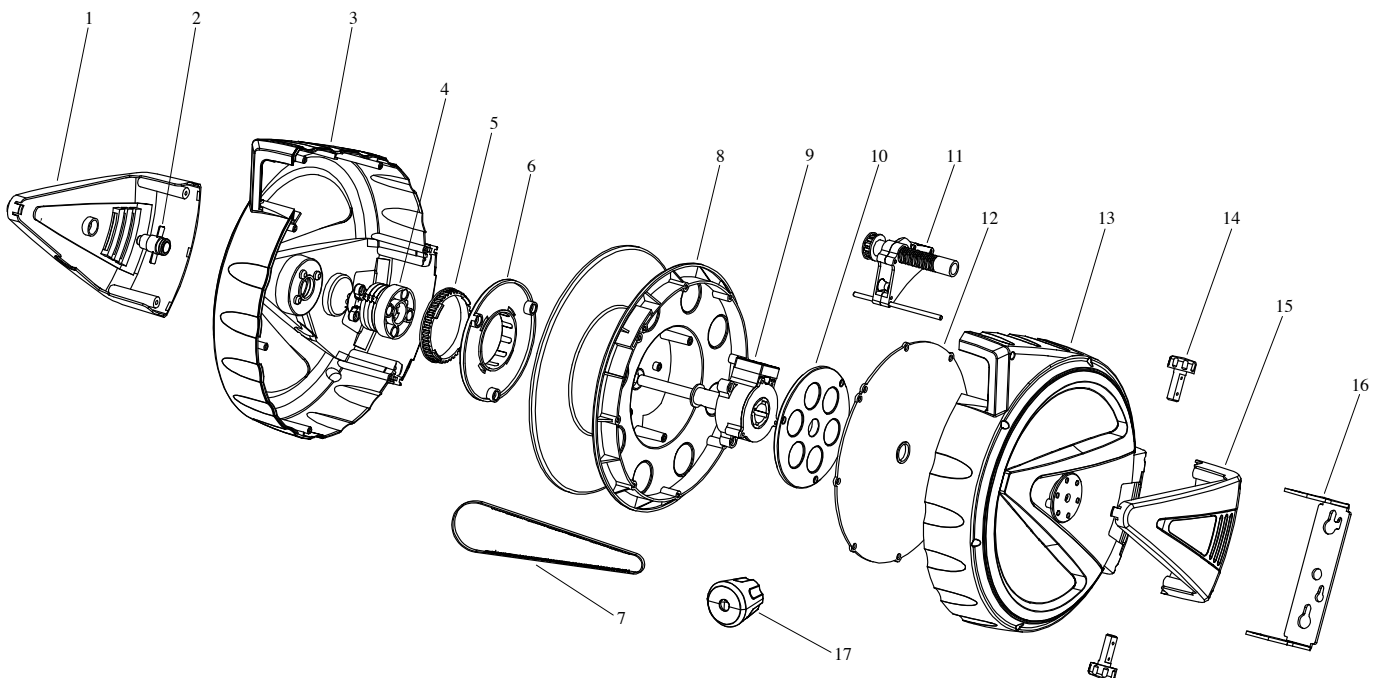
1. Pull cord out to desired length and stop. The reel has stops to keep cord extended.
2. To retract, pull cord out and guide cord slowly back into the reel.

Parts List and Diagram

Part	Description
1	Left Cover
2	Thermal Protector
3	Left Housing
4	Converter
5	Pulley
6	Spool Positioning Disc

Part	Description
7	Belt
8	Spool
9	Position Lock
10	Spool Cover
11	Cable Guide
12	Spring Cover

Part	Description
13	Right Housing
14	Bolt
15	Right Cover
16	Mounting Bracket
17	Stop Block



PLEASE READ THE FOLLOWING CAREFULLY

THE MANUFACTURER AND/OR DISTRIBUTOR HAS PROVIDED THE PARTS LIST AND INSTALLATION DIAGRAM IN THIS DOCUMENT AS A REFERENCE TOOL ONLY. NEITHER THE MANUFACTURER OR DISTRIBUTOR MAKES ANY REPRESENTATION OR WARRANTY OF ANY KIND TO THE BUYER THAT HE OR SHE IS QUALIFIED TO MAKE ANY REPAIRS TO THE PRODUCT, OR THAT HE OR SHE IS QUALIFIED TO REPLACE ANY PARTS OF THE PRODUCT. IN FACT, THE MANUFACTURER AND/OR DISTRIBUTOR EXPRESSLY STATES THAT ALL REPAIRS AND PARTS REPLACEMENTS SHOULD BE UNDERTAKEN BY CERTIFIED AND LICENSED TECHNICIANS, AND NOT BY THE BUYER. THE BUYER ASSUMES ALL RISK AND LIABILITY ARISING OUT OF HIS OR HER REPAIRS TO THE ORIGINAL PRODUCT OR REPLACEMENT PARTS THERETO, OR ARISING OUT OF HIS OR HER INSTALLATION OF REPLACEMENT PARTS THERETO.

Record Product's Serial Number Here: _____

Note: If product has no serial number, record month and year of purchase instead.

Note: Some parts are listed and shown for illustration purposes only, and are not available individually as replacement parts.

Limited 90 Day Warranty

Harbor Freight Tools Co. makes every effort to assure that its products meet high quality and durability standards, and warrants to the original purchaser that this product is free from defects in materials and workmanship for the period of 90 days from the date of purchase. This warranty does not apply to damage due directly or indirectly, to misuse, abuse, negligence or accidents, repairs or alterations outside our facilities, criminal activity, improper installation, normal wear and tear, or to lack of maintenance. We shall in no event be liable for death, injuries to persons or property, or for incidental, contingent, special or consequential damages arising from the use of our product. Some states do not allow the exclusion or limitation of incidental or consequential damages, so the above limitation of exclusion may not apply to you. THIS WARRANTY IS EXPRESSLY IN LIEU OF ALL OTHER WARRANTIES, EXPRESS OR IMPLIED, INCLUDING THE WARRANTIES OF MERCHANTABILITY AND FITNESS.

To take advantage of this warranty, the product or part must be returned to us with transportation charges prepaid. Proof of purchase date and an explanation of the complaint must accompany the merchandise. If our inspection verifies the defect, we will either repair or replace the product at our election or we may elect to refund the purchase price if we cannot readily and quickly provide you with a replacement. We will return repaired products at our expense, but if we determine there is no defect, or that the defect resulted from causes not within the scope of our warranty, then you must bear the cost of returning the product.

This warranty gives you specific legal rights and you may also have other rights which vary from state to state.

VANGUARD™