

Owner's Manual & Safety Instructions

Save This Manual Keep this manual for the safety warnings and precautions, assembly, operating, inspection, maintenance and cleaning procedures. Write the product's serial number in the back of the manual near the assembly diagram (or month and year of purchase if product has no number). Keep this manual and the receipt in a safe and dry place for future reference.

REV 15h

PITTSBURGH[®] AUTOMOTIVE

ITEM 62958

Gear Puller Set



Visit our website at: <http://www.harborfreight.com>
Email our technical support at: productsupport@harborfreight.com

When unpacking, make sure that the product is intact and undamaged. If any parts are missing or broken, please call 1-888-866-5797 as soon as possible.

Copyright© 2015 by Harbor Freight Tools®. All rights reserved.

No portion of this manual or any artwork contained herein may be reproduced in any shape or form without the express written consent of Harbor Freight Tools. Diagrams within this manual may not be drawn proportionally. Due to continuing improvements, actual product may differ slightly from the product described herein. Tools required for assembly and service may not be included.

⚠WARNING

**Read this material before using this product.
Failure to do so can result in serious injury.
SAVE THIS MANUAL.**

Specifications

Gear Pulling Range	Pulls Gears 9/32" to 3"
Gear Puller Arms	Spread to 5-3/4" Reach up to 4"
Applications	Gear Pulling Bearing Pulling and Separating Timing Gear Pulling Steering Wheel Pulling Sprocket Pulling Pulley Pulling
Sprocket and Pulley Tapped Hole Capacity	5/16"-18 3/8"-16 3/8"-24 8 x 1.25mm

PITTSBURGH[®] AUTOMOTIVE

Important Safety Information

1. Assemble and use only according to these instructions. Improper assembly and usage can create hazards.
2. Wear ANSI-approved safety goggles and heavy-duty work gloves during assembly and use.
3. Keep area clean and well lit.
4. Use only according to vehicle service instructions.
5. Inspect before every use; do not use if parts are loose or damaged.
6. Keep children and other bystanders out of the area.
7. Do not use when tired or when under the influence of drugs or medication.
8. Use as intended only.
9. Maintain product labels and nameplates. These carry important safety information. If unreadable or missing, contact Harbor Freight Tools for a replacement.

PITTSBURGH[®] AUTOMOTIVE

Operation Instructions



Read the **ENTIRE IMPORTANT SAFETY INFORMATION** section at the beginning of this document including all text under subheadings therein before set up or use of this product.

⚠WARNING



TO PREVENT SERIOUS INJURY FROM EXPLOSION:
Carefully follow service instructions to disable airbag before working near steering wheel or steering column.

Pulling Gears

1. Thread the Push Rod (9) into the Bracket (6).
2. Place a Washer (16), a Nut (14b or 15b) and a Washer (16) onto the Pawls (14a & 15a). Slide each Pawl into a slot on the Bracket, as shown above, so one Washer is below the Bracket and the Nut and other Washer are above the Bracket.
3. Slide the Cone Head Insert (10) into the end of the Push Rod.
4. Slide the Pawls together until they fit snugly against the gear to be pulled, then tighten the Nuts on both Pawls.
5. Screw the Push Rod into the shaft at the center of the gear by turning the Head of the Push Rod with a wrench (not included). This will allow the gear to be pulled clear of its position.

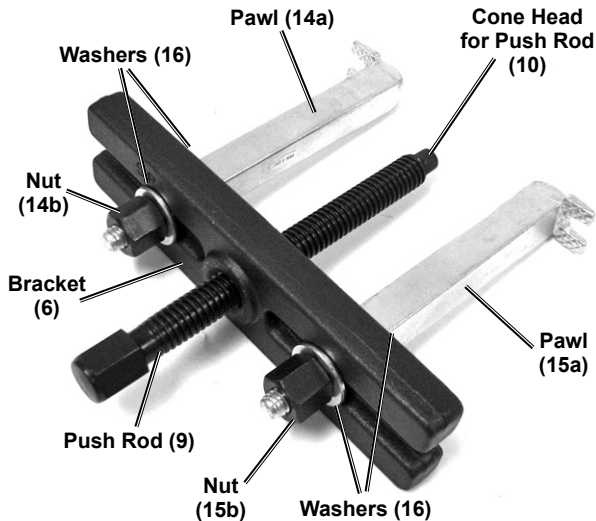


Figure A

Separating Ball Bearings

1. Thread the Push Rod (9) into the Bracket (6), then slide the Flat Head Insert (11) into the end of the Push Rod.
2. Lay the Bearing Separators (2, 3) so they face each other, creating an open circle.
3. Remove the Nut and Washer from the Separator Bolts (4, 5), then slide the Bolts through the Bearing Separator holes and replace the Washers and Nuts. Do not tighten Bolts.
4. Slide a Washer (16) onto the two Connecting Bolts (7, 8) and then slide them into the slots on the Bracket, keeping the Washers above the Bracket. Thread the Bolt-ends into the holes on the top of the Bearing Separators.
5. Position the Bearing Separators around the base of the Bearing to be separated.
6. Tighten each Nut evenly.
7. Using an adjustable wrench (sold separately), tighten the Push Rod against the center shaft of the bearing to separate the bearings from one another.

Note: A light coat of oil on the shaft near the bearing gear and on the Push Rod is recommended for difficult pulling jobs.

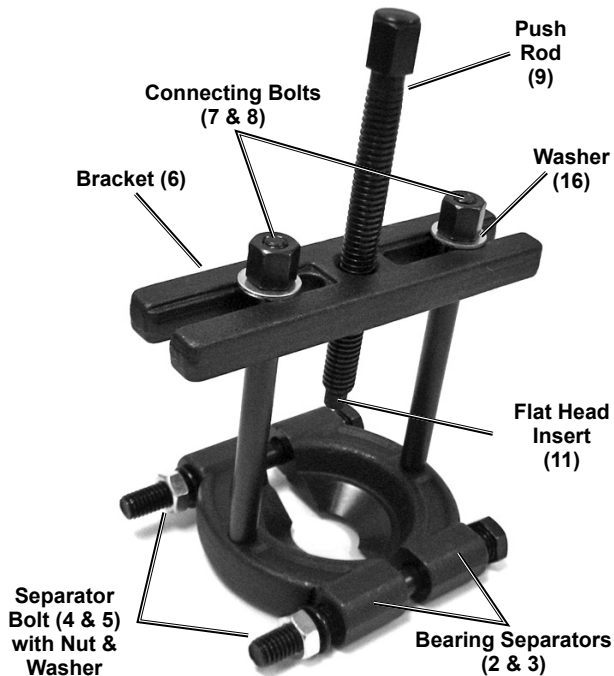


Figure B

Maintenance

⚠WARNING

TO PREVENT SERIOUS INJURY FROM TOOL FAILURE:

Do not use damaged equipment. If abnormal noise or vibration occurs, have the problem corrected before further use.

Cleaning, Maintenance, and Lubrication

1. **BEFORE EACH USE**, inspect the general condition of the tool. Check for:
 - loose hardware
 - misalignment or binding of moving parts
 - cracked or broken parts
 - any other condition that may affect its safe operation.
2. **AFTER USE**, wipe the tool off with a clean cloth.
3. When storing, coat all parts with a light oil to prevent rust, then store them in the Carrying Case (1).

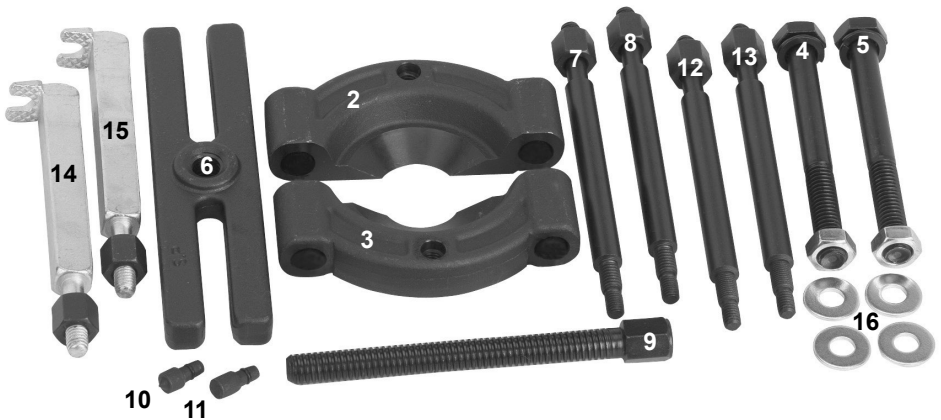
PLEASE READ THE FOLLOWING CAREFULLY

THE MANUFACTURER AND/OR DISTRIBUTOR HAS PROVIDED THE PARTS LIST AND ASSEMBLY DIAGRAM IN THIS DOCUMENT AS A REFERENCE TOOL ONLY. NEITHER THE MANUFACTURER OR DISTRIBUTOR MAKES ANY REPRESENTATION OR WARRANTY OF ANY KIND TO THE BUYER THAT HE OR SHE IS QUALIFIED TO MAKE ANY REPAIRS TO THE PRODUCT, OR THAT HE OR SHE IS QUALIFIED TO REPLACE ANY PARTS OF THE PRODUCT. IN FACT, THE MANUFACTURER AND/OR DISTRIBUTOR EXPRESSLY STATES THAT ALL REPAIRS AND PARTS REPLACEMENTS SHOULD BE UNDERTAKEN BY CERTIFIED AND LICENSED TECHNICIANS, AND NOT BY THE BUYER. THE BUYER ASSUMES ALL RISK AND LIABILITY ARISING OUT OF HIS OR HER REPAIRS TO THE ORIGINAL PRODUCT OR REPLACEMENT PARTS THERETO, OR ARISING OUT OF HIS OR HER INSTALLATION OF REPLACEMENT PARTS THERETO.

Parts List and Diagram

Part	Description	Qty.
1	Carrying Case (not shown)	1
2	Bearing Separator-3/8" x 16T	1
3	Bearing Separator-3/8" x 16T	1
4	Bolt for Separator-1/2" x 12T	1
5	Bolt for Separator-1/2" x 12T	1
6	Bracket	1
7	Connecting Bolt-3/8" x 16T, step down thread: M8 x 1.25	1
8	Connecting Bolt-3/8" x 16T, step down thread: M8 x 1.25	1
9	Push Rod	1
10	Cone Head for Push Rod	1

Part	Description	Qty.
11	Flat Head for Push Rod	1
12	Connecting Bolt-3/8" x 24T, step down thread: 5/16" x 18	1
13	Connecting Bolt-3/8" x 24T, step down thread: 5/16" x 18	1
14a	Pawl-3/8" x 16T	1
14b	Nut	1
15a	Pawl-3/8" x 16T	1
15b	Nut	1
16	Flat Washer	4
17	Lube Oil Bottle (not shown)	1



Record Serial Number Here:

Note: If product has no serial number, record month and year of purchase instead.

Note: Some parts are listed and shown for illustration purposes only, and are not available individually as replacement parts.

Limited 90 Day Warranty

Harbor Freight Tools Co. makes every effort to assure that its products meet high quality and durability standards, and warrants to the original purchaser that this product is free from defects in materials and workmanship for the period of 90 days from the date of purchase. This warranty does not apply to damage due directly or indirectly, to misuse, abuse, negligence or accidents, repairs or alterations outside our facilities, criminal activity, improper installation, normal wear and tear, or to lack of maintenance. We shall in no event be liable for death, injuries to persons or property, or for incidental, contingent, special or consequential damages arising from the use of our product. Some states do not allow the exclusion or limitation of incidental or consequential damages, so the above limitation of exclusion may not apply to you. THIS WARRANTY IS EXPRESSLY IN LIEU OF ALL OTHER WARRANTIES, EXPRESS OR IMPLIED, INCLUDING THE WARRANTIES OF MERCHANTABILITY AND FITNESS.

To take advantage of this warranty, the product or part must be returned to us with transportation charges prepaid. Proof of purchase date and an explanation of the complaint must accompany the merchandise. If our inspection verifies the defect, we will either repair or replace the product at our election or we may elect to refund the purchase price if we cannot readily and quickly provide you with a replacement. We will return repaired products at our expense, but if we determine there is no defect, or that the defect resulted from causes not within the scope of our warranty, then you must bear the cost of returning the product.

This warranty gives you specific legal rights and you may also have other rights which vary from state to state.

PITTSBURGH[®] AUTOMOTIVE