

Owner's Manual & Safety Instructions

Save This Manual Keep this manual for the safety warnings and precautions, assembly, operating, inspection, maintenance and cleaning procedures. Write the product's serial number in the back of the manual near the assembly diagram (or month and year of purchase if product has no number). Keep this manual and the receipt in a safe and dry place for future reference.

191



10 FT. X 20 FT. PORTABLE CAR CANOPY



Visit our website at: <http://www.harborfreight.com>
Email our technical support at: productsupport@harborfreight.com

63054

When unpacking, make sure that the product is intact and undamaged. If any parts are missing or broken, please call 1-888-866-5797 as soon as possible.

Copyright© 2018 by Harbor Freight Tools®. All rights reserved.
No portion of this manual or any artwork contained herein may be reproduced in any shape or form without the express written consent of Harbor Freight Tools. Diagrams within this manual may not be drawn proportionally. Due to continuing improvements, actual product may differ slightly from the product described herein.
Tools required for assembly and service may not be included.

⚠ WARNING

Read this material before using this product.
Failure to do so can result in serious injury.
SAVE THIS MANUAL.

Table of Contents

Safety	2	Maintenance	8
Specifications	3	Parts List and Diagram	10
Assembly	4	Warranty	12



SAFETY

ASSEMBLY

MAINTENANCE

IMPORTANT SAFETY INFORMATION

WARNING

Read all safety warnings and instructions.

Failure to follow the warnings and instructions may result in serious injury.

Save all warnings and instructions for future reference.

The warnings, precautions, and instructions discussed in this instruction manual cannot cover all possible conditions and situations that may occur. It must be understood by the operator that common sense and caution are factors which cannot be built into this product, but must be supplied by the operator.

Assembly Precautions

1. Do not assemble in windy conditions.
2. Assemble and install only on flat, level, hard surface.
3. Assemble and anchor only according to these instructions. Improper assembly or inadequate anchoring can create hazards.
4. Wear ANSI-approved safety goggles and heavy-duty work gloves during assembly.
5. Keep assembly area clean and well lit.
6. Keep bystanders out of the area during assembly.
7. Do not assemble when tired or when under the influence of drugs or medication.
8. Product capabilities apply to properly and completely assembled product only.

Use Precautions

1. Do not use grill or any other type of fire under cover. Cover may catch fire if exposed to heat rising from fire.
2. Do not allow snow or debris to accumulate on this item.
3. Heavy, wet snow or strong wind could cause damage or sudden collapse. Remove the Cover when these or similar conditions are expected.
4. This product is not a toy. Do not allow children to play with or near this item.
5. Use as intended only. Do not use for long-term shelter.
6. Inspect regularly, tighten all loose hardware and loose cords, and secure all loosened anchors. If any parts are damaged, bent, or stretched, they must be replaced. Hardware may loosen during normal operation stresses. Loose hardware or damaged/altered parts will compromise the structural integrity of this product.
7. Maintain product labels and nameplates. These carry important safety information. If unreadable or missing, contact Harbor Freight Tools for a replacement.



SAVE THESE INSTRUCTIONS.

Specifications

Center Height	9' 6"
Side Height	6' 3"

Assembly



Read the **ENTIRE IMPORTANT SAFETY INFORMATION** section at the beginning of this manual including all text under subheadings therein before set up or use of this product.

WARNING

TO PREVENT SERIOUS INJURY:

Do not leave this product partially assembled. Assemble this product completely at one time.

Note: For additional information regarding the parts listed in the following pages, refer to *Parts List and Diagram* on page 10.

Note: Much of this product's assembly is done using slip fit construction. Make sure all parts seat completely and securely. A rubber mallet (sold separately) can be used to gently tap parts in place to ensure a tight fit.

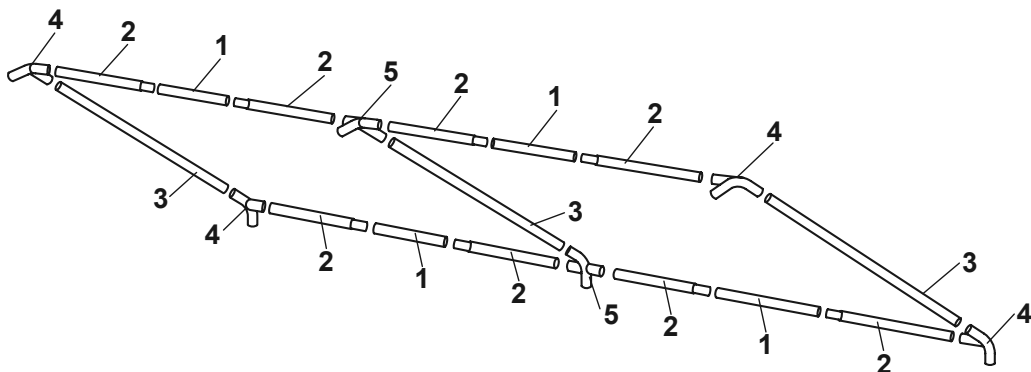


Figure 1: Roof Assembly - 1

1. Assemble one half of the roof using 8x Swaged Tubes (2), 3x Rafter Tubes (3), 4x Straight Cross Tubes (1), 4x 3-Way Connectors (4), and 2x 4-Way Connectors (5).

Align the 3- and 4-Way Connectors so that the free ends are all on the same side of the assembly, as shown in Figure 1.

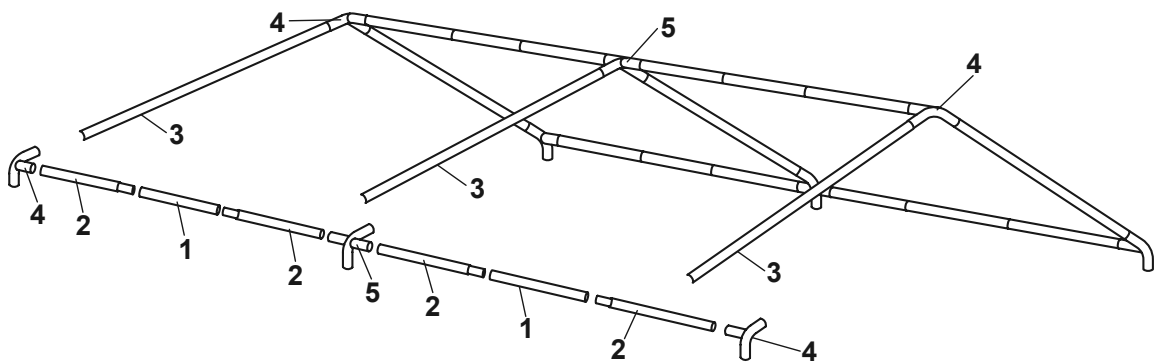


Figure 2: Roof Assembly - 2

2. Connect a Rafter Tube (3) to each 3- and 4-Way Connector (4,5) at the top of the roof.

Connect 4x Swaged Tubes (2), 2x Straight Cross Tubes (1), 2x 3-Way Connectors (4), and 1x 4-Way Connector (5) together, then attach that assembly to the ends of the Rafter Tubes (3).

- Cut the Rope (10) into four equal (10 foot) pieces.

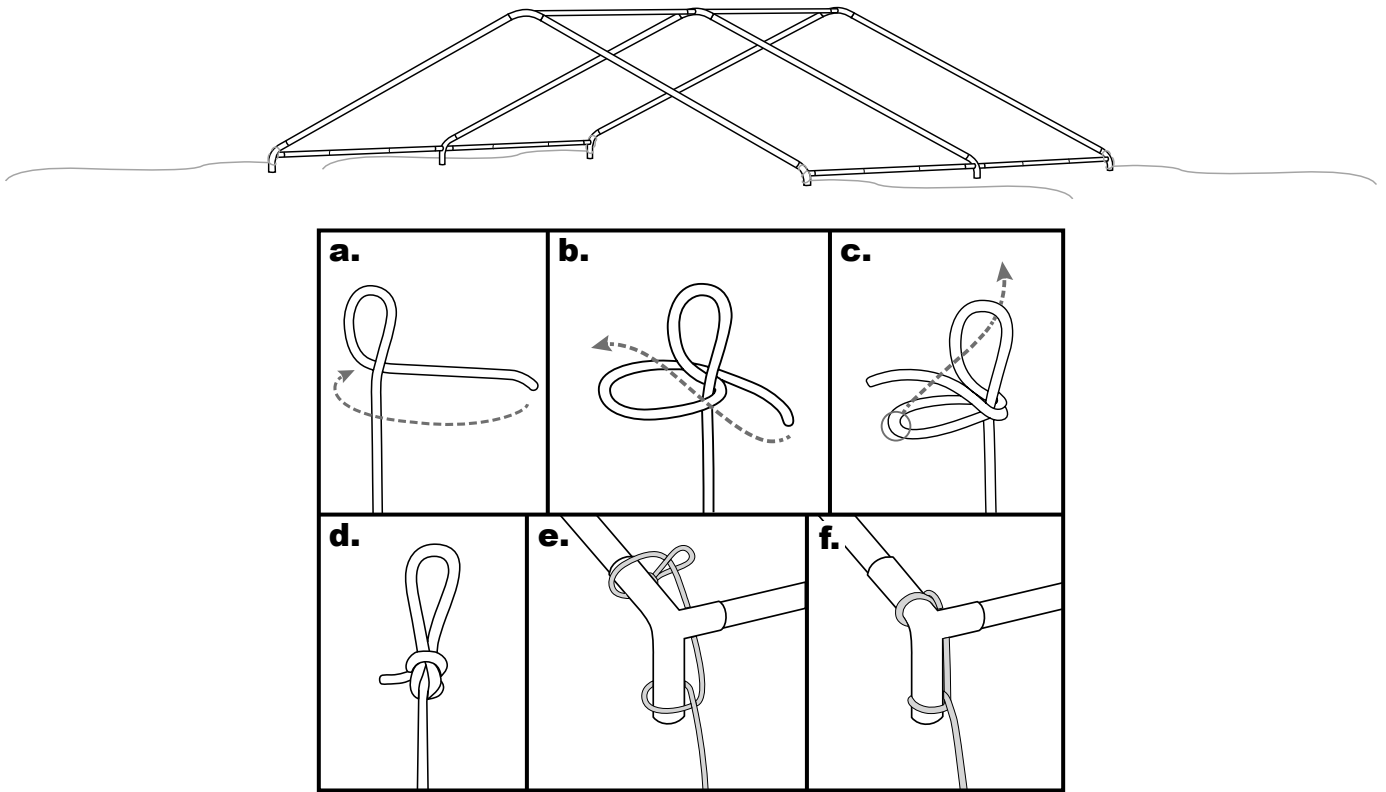


Figure 3: Rope Connection

- Connect a Rope piece to each 3-Way Connector (4) as shown in steps a-f above. Pull each connection tight.

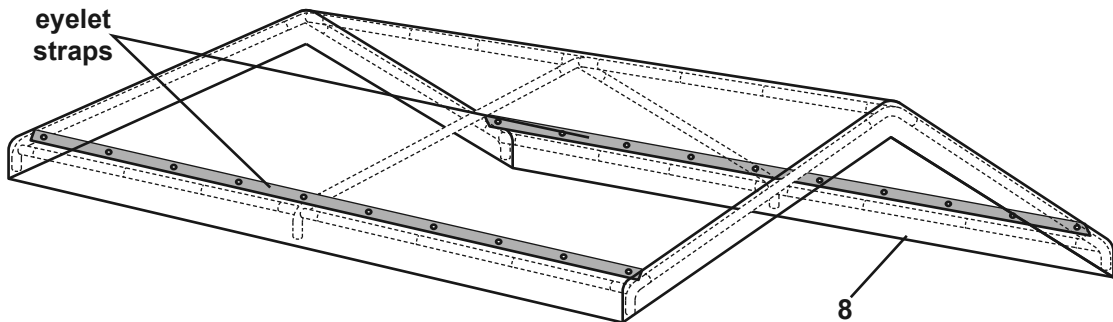


Figure 4: Roof Tarp (8)

- Place the Roof Tarp (8) over the top of the roof assembly with its eyelet straps facing down, on the inside.

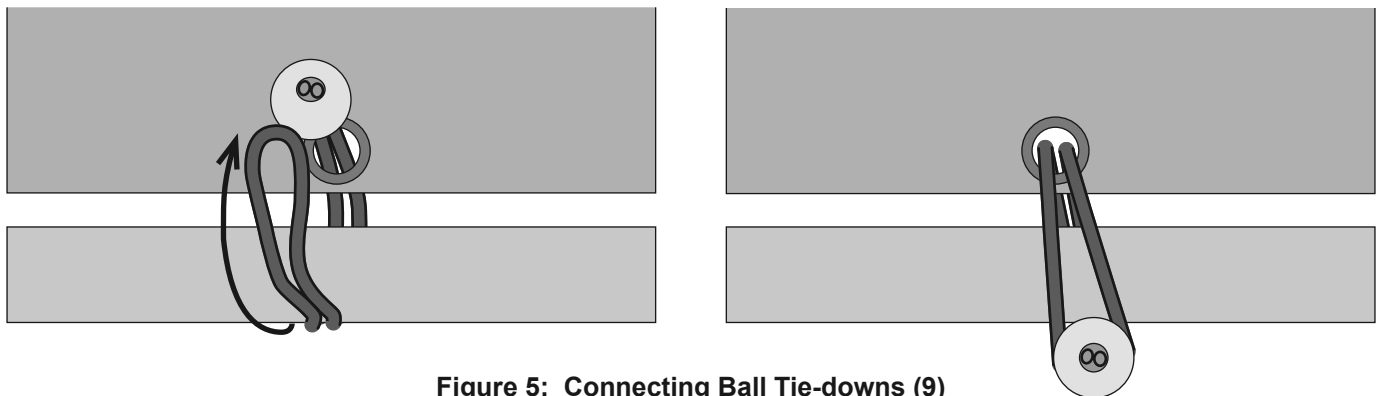
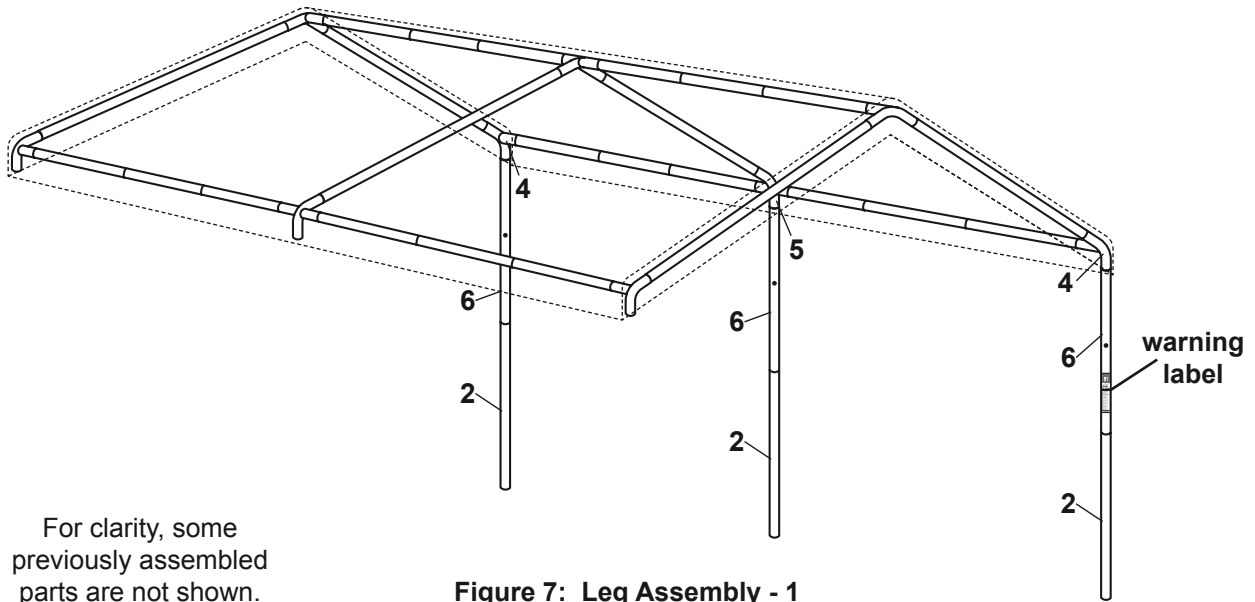


Figure 5: Connecting Ball Tie-downs (9)

- Use the Ball Tie-downs (9) to attach the Roof Tarp to the tubes using the eyelets on the eyelet straps.



For clarity, some previously assembled parts are not shown.

Figure 7: Leg Assembly - 1

7. Attach a Straight Tube (6) to each 3- and 4-Way Connector (4, 5) on one side of the assembly.

Note: The warning label is on one of the Straight Tubes (6). Turn that Tube so that the Warning label can be read easily.

Attach a Swaged Tube (2) to the bottom of each Straight Tube.

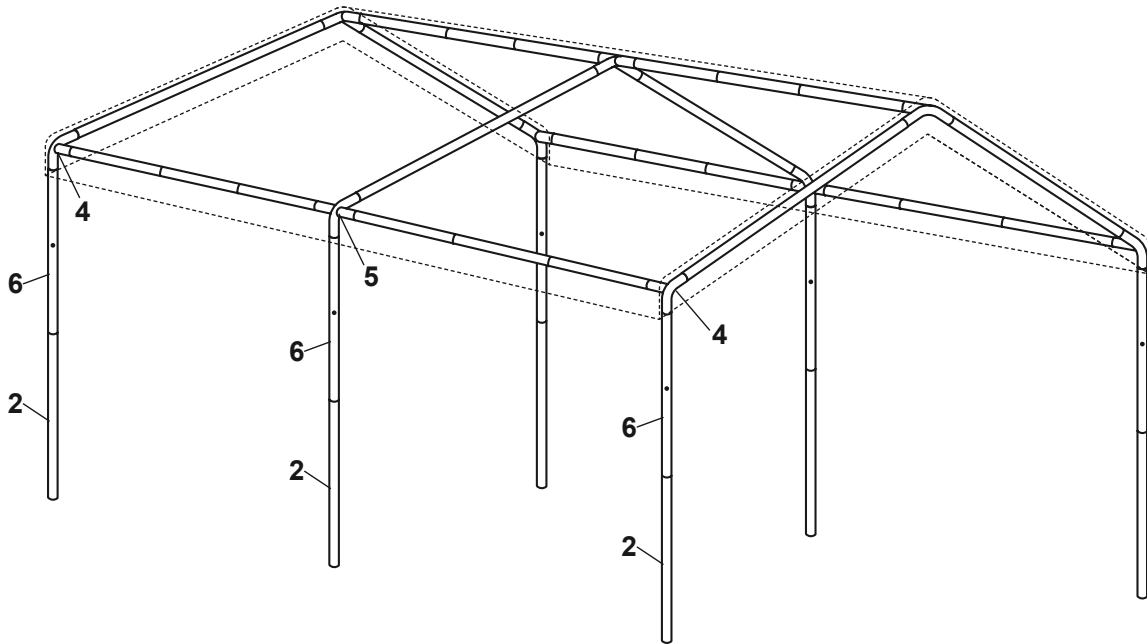
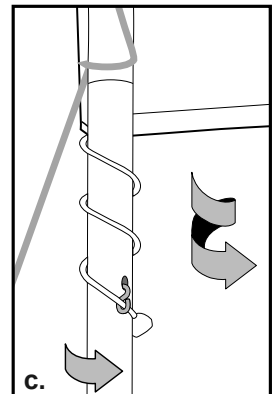
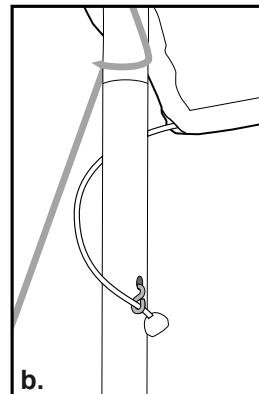
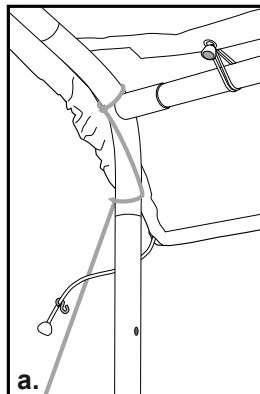


Figure 9: Leg Assembly - 2

8. Attach a Straight Tube (6) to each 3- and 4-Way Connector (4, 5) on the other side of the assembly. Attach a Swaged Tube (2) to the bottom of each Straight Tube.

9. For each corner of the Roof Tarp (8)
- Find the rope with hook that comes out of the corner of the tarp.
 - Loop the tarp rope around the tube and hook it into the hole as illustrated to the right.
 - Twist the Straight Tube to tighten the rope.



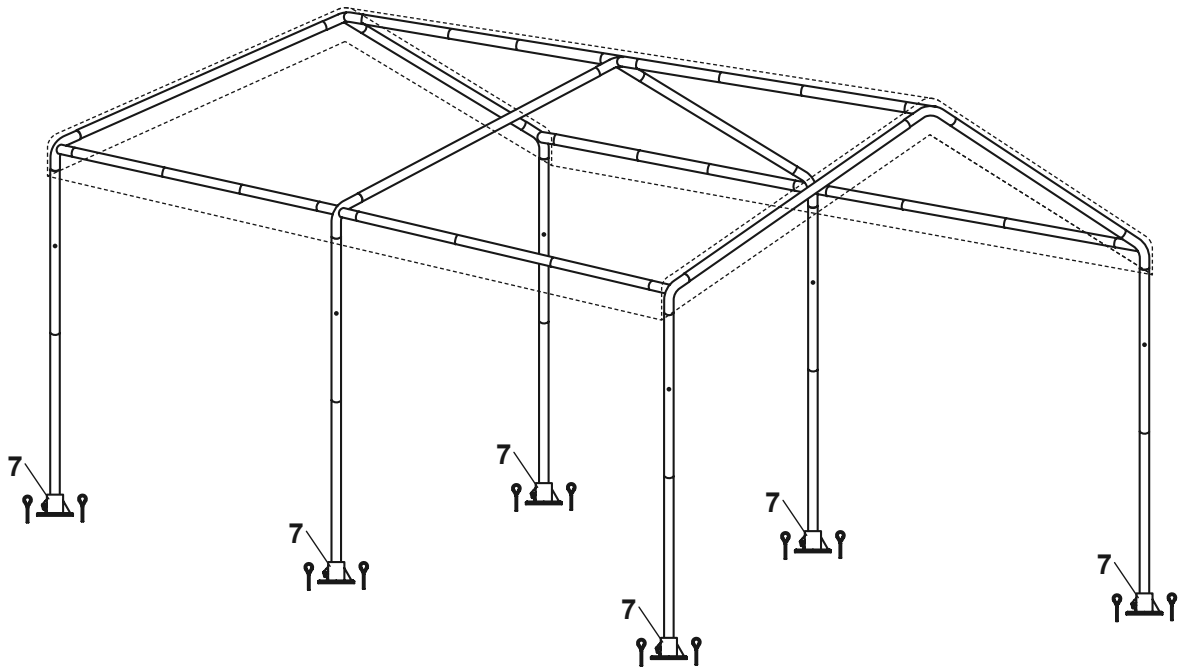


Figure 11: Foot Plate (7) Assembly

10. Place a Foot Plate (7) over the bottom of each Swaged Tube (2).

Use two base fastening stakes (sold separately) through each Foot Plate to anchor the Canopy.

Note: Verify that there are no utility lines nearby before driving anchors.

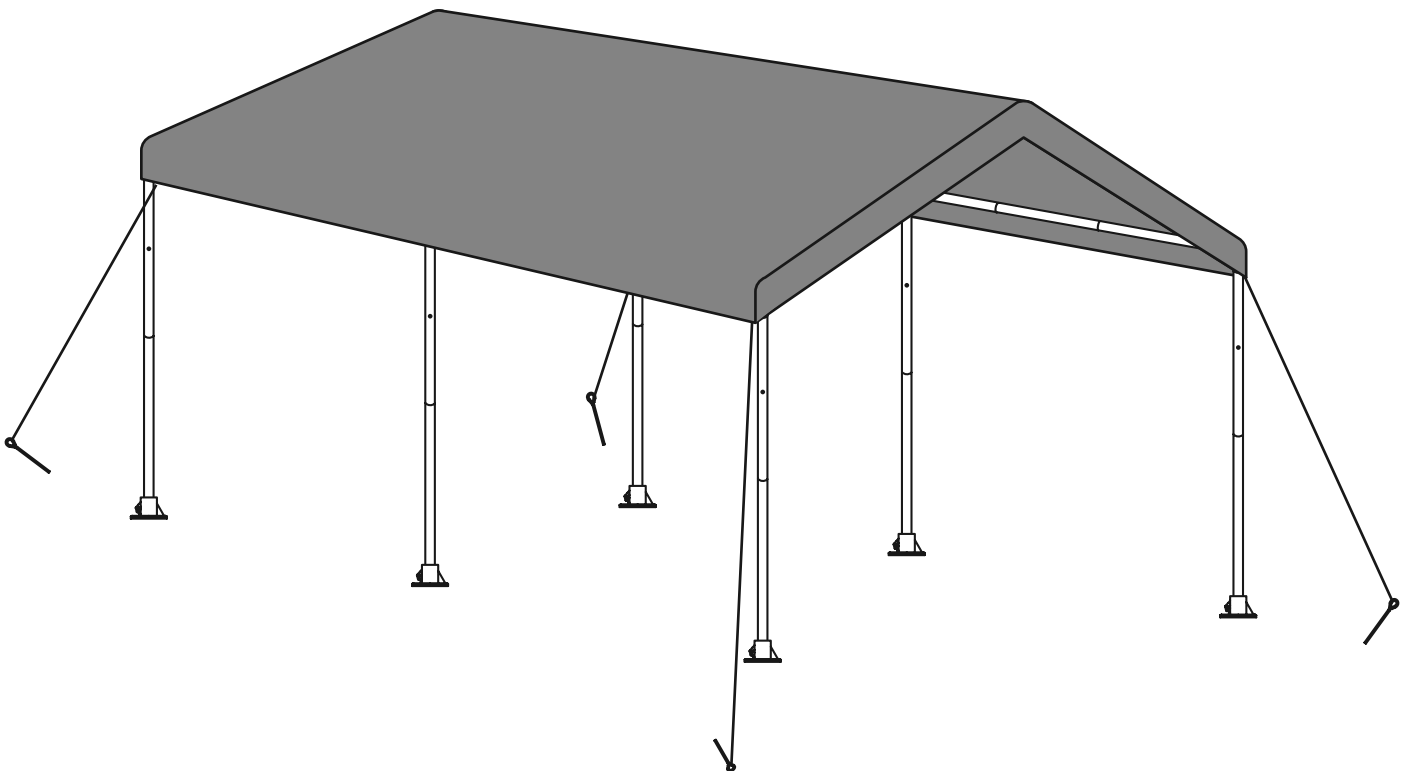


Figure 13: Rope Fastening Stakes (11)

11. Drive a Rope Fastening Stake (11) about 3 feet away from each corner of the canopy, angled inward.

Attach a piece of Rope to each Stake (11).

Note: Verify that there are no utility lines nearby before driving anchors.

Maintenance



Procedures not specifically explained in this manual must be performed only by a qualified technician.

WARNING

TO PREVENT SERIOUS INJURY FROM PRODUCT FAILURE:

Do not use damaged products. If damage is noted, have the problem corrected before further use.

MONTHLY, inspect the general condition of the Portable Garage. Check for:

- loose ratchet tie downs, anchors, tube connections, and rail clamps (tighten as needed),
- torn or frayed covers, ropes, or cables,
- cracked, bent, or broken parts, and
- any other condition that may affect its safe operation.

PLEASE READ THE FOLLOWING CAREFULLY

THE MANUFACTURER AND/OR DISTRIBUTOR HAS PROVIDED THE PARTS LIST AND ASSEMBLY DIAGRAM IN THIS MANUAL AS A REFERENCE TOOL ONLY. NEITHER THE MANUFACTURER OR DISTRIBUTOR MAKES ANY REPRESENTATION OR WARRANTY OF ANY KIND TO THE BUYER THAT HE OR SHE IS QUALIFIED TO MAKE ANY REPAIRS TO THE PRODUCT, OR THAT HE OR SHE IS QUALIFIED TO REPLACE ANY PARTS OF THE PRODUCT. IN FACT, THE MANUFACTURER AND/OR DISTRIBUTOR EXPRESSLY STATES THAT ALL REPAIRS AND PARTS REPLACEMENTS SHOULD BE UNDERTAKEN BY CERTIFIED AND LICENSED TECHNICIANS, AND NOT BY THE BUYER. THE BUYER ASSUMES ALL RISK AND LIABILITY ARISING OUT OF HIS OR HER REPAIRS TO THE ORIGINAL PRODUCT OR REPLACEMENT PARTS THERETO, OR ARISING OUT OF HIS OR HER INSTALLATION OF REPLACEMENT PARTS THERETO.

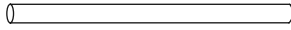
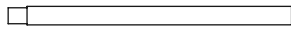
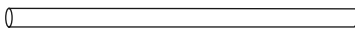

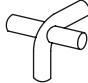
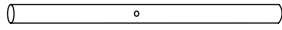
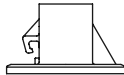
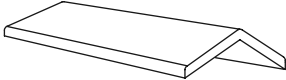


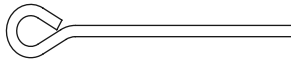
Record Product's Serial Number Here: _____

Note: If product has no serial number, record month and year of purchase instead.

Note: Some parts are listed and shown for illustration purposes only, and are not available individually as replacement parts. Specify UPC 792363630542 when ordering parts.

Parts List

Note: Individual part illustrations not to scale.

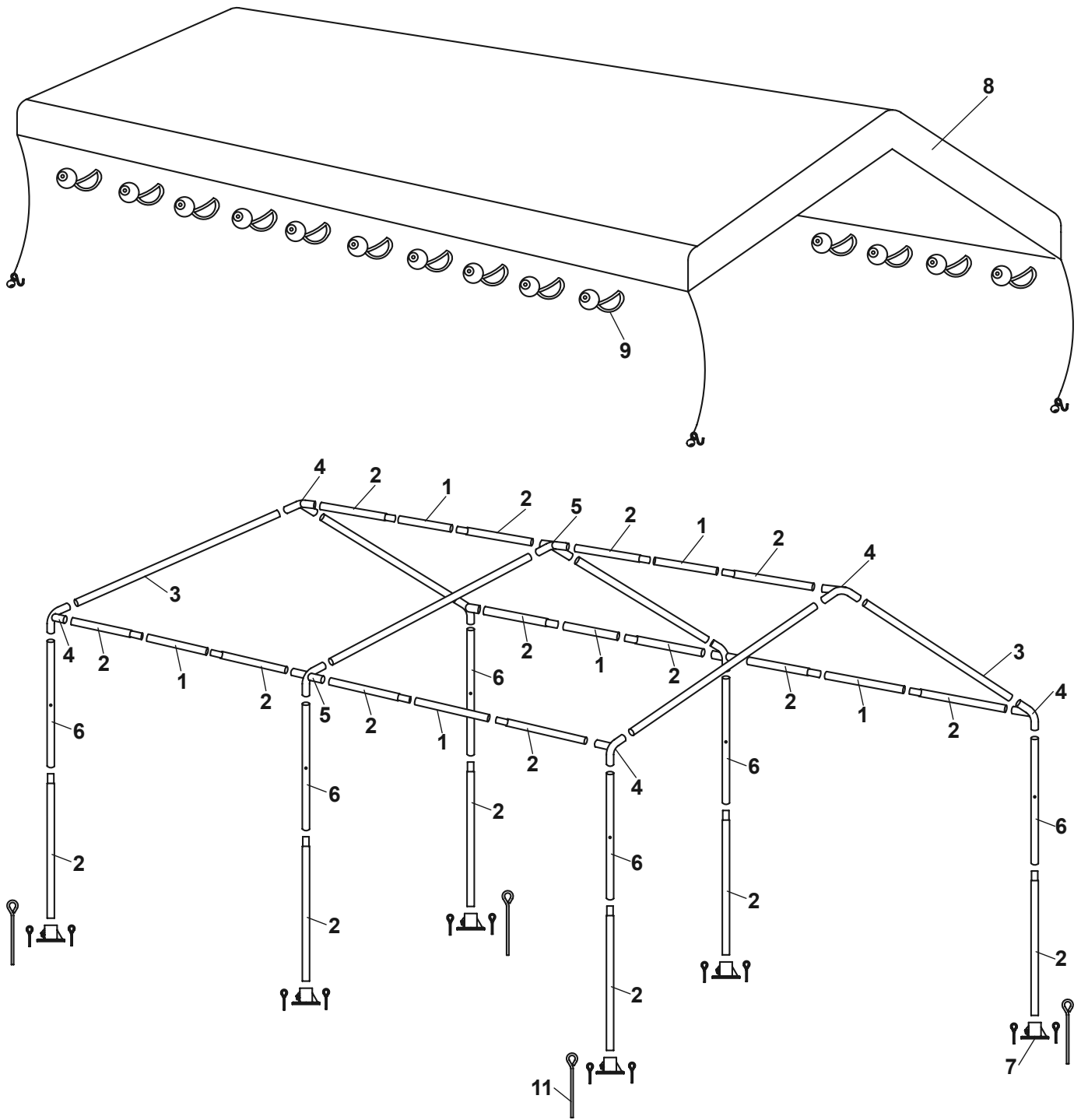
Part	Description	Illustration	Qty
1	40 3/4" Straight Cross Tube		6
2	40 3/4" Swaged Tube		18
3	62 7/8" Rafter Tube		6
4	3-Way Connector		6
5	4-Way Connector		3
6	39" Straight Tube		6
7	Foot Plate		6
8	Roof Tarp		1
9	Ball Tie-down		24
10	40' Rope		1
11	Rope Fastening Stake		4

SAFETY

ASSEMBLY

MAINTENANCE

Assembly Diagram



SAFETY

ASSEMBLY

MAINTENANCE

Limited 90 Day Warranty

Harbor Freight Tools Co. makes every effort to assure that its products meet high quality and durability standards, and warrants to the original purchaser that this product is free from defects in materials and workmanship for the period of 90 days from the date of purchase. This warranty does not apply to damage due directly or indirectly, to misuse, abuse, negligence or accidents, repairs or alterations outside our facilities, criminal activity, improper installation, normal wear and tear, or to lack of maintenance. We shall in no event be liable for death, injuries to persons or property, or for incidental, contingent, special or consequential damages arising from the use of our product. Some states do not allow the exclusion or limitation of incidental or consequential damages, so the above limitation of exclusion may not apply to you. THIS WARRANTY IS EXPRESSLY IN LIEU OF ALL OTHER WARRANTIES, EXPRESS OR IMPLIED, INCLUDING THE WARRANTIES OF MERCHANTABILITY AND FITNESS.

To take advantage of this warranty, the product or part must be returned to us with transportation charges prepaid. Proof of purchase date and an explanation of the complaint must accompany the merchandise. If our inspection verifies the defect, we will either repair or replace the product at our election or we may elect to refund the purchase price if we cannot readily and quickly provide you with a replacement. We will return repaired products at our expense, but if we determine there is no defect, or that the defect resulted from causes not within the scope of our warranty, then you must bear the cost of returning the product.

This warranty gives you specific legal rights and you may also have other rights which vary from state to state.



26541 Agoura Road • Calabasas, CA 91302 • 1-888-866-5797