

Owner's Manual & Safety Instructions

Save This Manual Keep this manual for the safety warnings and precautions, assembly, operating, inspection, maintenance and cleaning procedures. Write the product's serial number in the back of the manual near the assembly diagram (or month and year of purchase if product has no number). Keep this manual and the receipt in a safe and dry place for future reference.

REV 16c

MADDOX™
SUPERIOR AUTOMOTIVE TOOLS

ME4-1

MacPherson Strut Spring Compressor Set



Visit our website at: <http://www.harborfreight.com>
Email our technical support at: productsupport@harborfreight.com

63262

When unpacking, make sure that the product is intact and undamaged. If any parts are missing or broken, please call 1-888-866-5797 as soon as possible.

Copyright© 2016 by Harbor Freight Tools®. All rights reserved.

No portion of this manual or any artwork contained herein may be reproduced in any shape or form without the express written consent of Harbor Freight Tools. Diagrams within this manual may not be drawn proportionally. Due to continuing improvements, actual product may differ slightly from the product described herein. Tools required for assembly and service may not be included.

⚠WARNING

**Read this material before using this product.
Failure to do so can result in serious injury.
SAVE THIS MANUAL.**

Specifications

Maximum Spring Diameter	5/8"
Maximum Compressible Spring Length	10"
Maximum Strut Spring Outside Diameter	6"

MADDOX™
SUPERIOR AUTOMOTIVE TOOLS

IMPORTANT SAFETY INFORMATION

1. Use as a pair only. Tighten and release evenly and slowly. Only use hand tools to tighten/release.
2. Secure spring in place with locking pins before use.
3. Keep work area clean. Cluttered areas invite injuries.
4. Consider work area conditions. Don't use in damp, wet, or poorly lit locations. Don't expose to rain. Keep work area well lit.
5. This product is not a toy. Do not allow children to play with or near this item.
6. Store idle equipment. When not in use, tools should be locked up in a dry location to inhibit rust.
7. Don't force the machine or tool. It will do the job better and more safely at the rate for which it was intended.
8. Use as intended only.
9. Dress properly. Don't wear loose clothing or jewelry. They can be caught in moving parts. Protective gloves and non-skid footwear are recommended when working. Wear restrictive hair covering to contain long hair, preventing it from getting caught in machinery.
10. Wear ANSI-approved safety goggles and heavy-duty work gloves during setup and use.
11. Don't overreach. Keep proper footing and balance at all times.
12. Maintain tools with care. Keep tools clean for better and safer performance. Follow instructions for lubricating and changing accessories. Keep handles dry, clean, and free from oil and grease.
13. Stay alert. Watch what you are doing, use common sense. Don't operate any tool when you are tired.
14. Inspect before every use; do not use if parts are loose or damaged.
15. Replacement parts and accessories. When servicing, use only identical replacement parts. Only use accessories intended for use with this tool. Approved accessories are available from Harbor Freight Tools.
16. Do not use when tired or when under the influence of alcohol, drugs or medication.
17. Maintain product labels and nameplates. These carry important safety information. If unreadable or missing, contact Harbor Freight Tools for a replacement.



SAVE THESE INSTRUCTIONS.

MADDOX™
SUPERIOR AUTOMOTIVE TOOLS

Operation



Read the **ENTIRE IMPORTANT SAFETY INFORMATION** section at the beginning of this manual including all text under subheadings therein before set up or use of this product.

Setup

For the purposes of this manual, it is assumed you will be removing a strut spring from a MacPherson-style strut assembly which has been removed from the vehicle.

1. Place the strut assembly down on a workbench or other solid work surface.
2. Examine the strut spring inside the strut assembly. Identify areas at each end of the strut spring to attach the Puller Hooks of the Strut Spring Compressor. There needs to be enough space between the coils for the Puller Hooks to fit between and still allow you enough compression to collapse the spring enough for safe removal. Ideally the Puller Hooks should be placed towards the outer ends of the coil spring.
3. Adjust the head of the Screw (3) to move the Threaded Puller Hook (1) to the end of the Screw, as shown in Figure A.
5. Adjust the Non-Threaded Puller Hook (2) to fit around the strut spring at the end opposite from Step 4. Make sure the Strut Spring Compressor is parallel (straight up and down) with the strut assembly, as shown in Figure C.

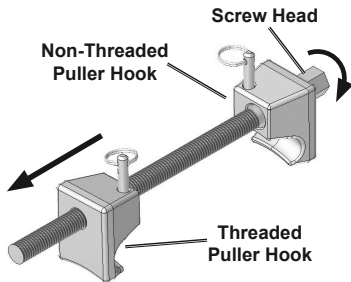


Figure A

4. With the Locking Pins (4) in the unlocked position, place the Threaded Puller Hook around the strut spring at the spot you identified in Step 2, as shown in Figure B.

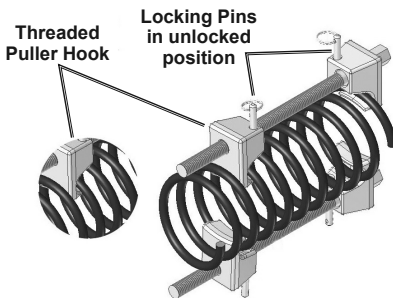


Figure B

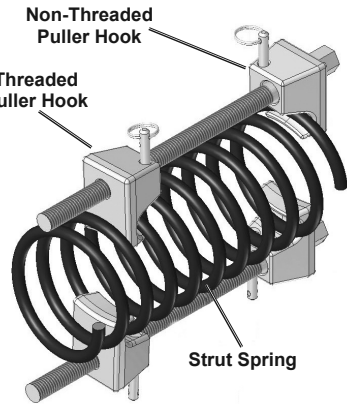


Figure C

6. Tighten the head of the Screw until it contacts the Non-Threaded Puller Hook.

- Push in the Locking Pins on both the Threaded and Non-Threaded Puller Hooks until they snap into locked position. Refer to Figure D and Figure E.
- Repeat Steps 2 through 7 with the second Strut Spring Compressor Assembly.

WARNING! Always use both Strut Spring Compressors on the same spring, at the same time.

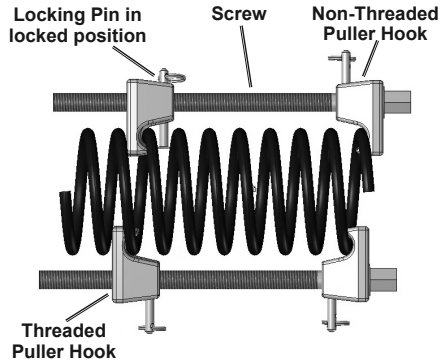


Figure D

Removing The Strut Springs

- Check the Locking Pins to ensure they are in the locked position. Refer to Figure E.
- Rotate the strut assembly so the head of the Screw can be easily accessed on each Strut Spring Compressor.
- Begin to tighten the head of the Screw on one Strut Spring Compressor as shown in Figure E. Tighten the Screw about one inch, then tighten the Screw of the other Strut Spring Compressor an equal amount.

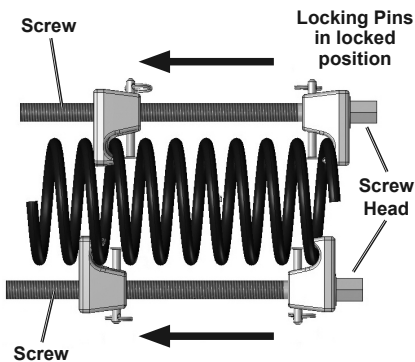


Figure E

WARNING! To prevent serious injury or DEATH from the spring suddenly launching free: Tighten the Screws EVENLY. Do not tighten one Strut Spring Compressor all at once.

- As the Screw on each Strut Spring Compressor is tightened, the strut spring will begin to compress. When the strut spring has been compressed enough to allow free play of the coil spring on the strut assembly, you may remove the strut bearing nut at the top of the strut assembly and top hat. The compressed strut spring can now be removed.

WARNING! To reduce the pressure on the spring and maintain better stability, only tighten as much as is necessary.

- If the Strut Spring Compressors have been tightened as far as possible and there is no free play of the coil spring on the strut assembly, **DO NOT REMOVE** the strut bearing nut. Remove the Strut Spring Compressors evenly and place the Puller Hooks further apart on the coil spring in order to compress more of the coil spring. Repeat Steps 2 through 4.
- Do not store a compressed coil spring for ANY length of time, even if you are immediately replacing the strut. Loosen the Screws on the Strut Spring Compressors EVENLY to reduce pressure.

Maintenance



Procedures not specifically explained in this manual must be performed only by a qualified technician.

!WARNING

TO PREVENT SERIOUS INJURY FROM TOOL FAILURE:

Do not use damaged equipment. If abnormal noise or vibration occurs, have the problem corrected before further use.

Cleaning, Maintenance, and Lubrication

1. **BEFORE EACH USE**, inspect the Locking Pins, Screws, and Puller Hooks on the Strut Spring Compressors. Check for:

- loose hardware
- misalignment or binding of moving parts
- cracked or broken parts
- any other condition that may affect safe operation.

Do not use if you find any cracks or other damage.

NOTE: Keep threads on Screws clean and lubricated at all times with a premium quality, light weight machine oil.

2. **AFTER USE**, wipe external surfaces of the tool with clean cloth.
3. When storing, keep the Strut Spring Compressor Set in its Carrying Case.

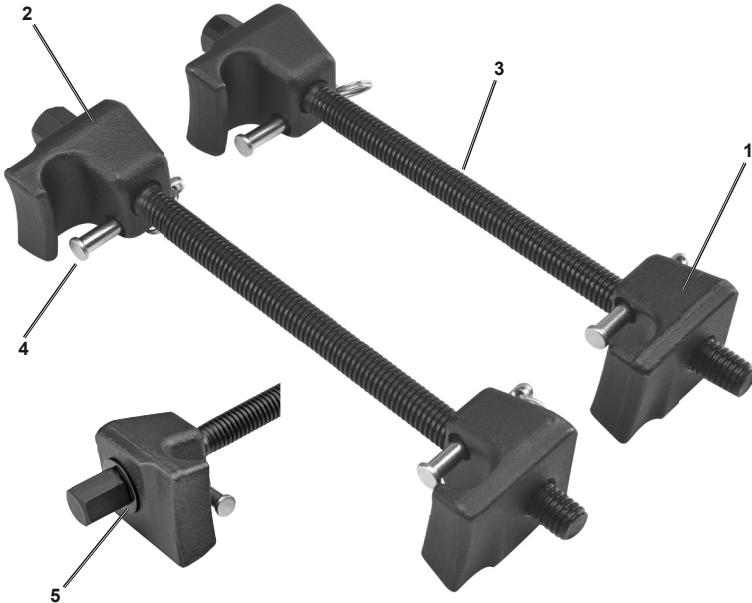
PLEASE READ THE FOLLOWING CAREFULLY

THE MANUFACTURER AND/OR DISTRIBUTOR HAS PROVIDED THE PARTS LIST AND ASSEMBLY DIAGRAM IN THIS DOCUMENT AS A REFERENCE TOOL ONLY. NEITHER THE MANUFACTURER OR DISTRIBUTOR MAKES ANY REPRESENTATION OR WARRANTY OF ANY KIND TO THE BUYER THAT HE OR SHE IS QUALIFIED TO MAKE ANY REPAIRS TO THE PRODUCT, OR THAT HE OR SHE IS QUALIFIED TO REPLACE ANY PARTS OF THE PRODUCT. IN FACT, THE MANUFACTURER AND/OR DISTRIBUTOR EXPRESSLY STATES THAT ALL REPAIRS AND PARTS REPLACEMENTS SHOULD BE UNDERTAKEN BY CERTIFIED AND LICENSED TECHNICIANS, AND NOT BY THE BUYER. THE BUYER ASSUMES ALL RISK AND LIABILITY ARISING OUT OF HIS OR HER REPAIRS TO THE ORIGINAL PRODUCT OR REPLACEMENT PARTS THERETO, OR ARISING OUT OF HIS OR HER INSTALLATION OF REPLACEMENT PARTS THERETO.

Parts List And Assembly Diagram

Part	Description	Qty
1	Threaded Puller Hook	2
2	Non-Threaded Puller Hook	2
3	Screw	2

Part	Description	Qty
4	Locking Pin	4
5	Washer	2



Record Product's Serial Number Here: _____

Note: If product has no serial number, record month and year of purchase instead.

Note: Some parts are listed and shown for illustration purposes only, and are not available individually as replacement parts.

Limited 90 Day Warranty

Harbor Freight Tools Co. makes every effort to assure that its products meet high quality and durability standards, and warrants to the original purchaser that this product is free from defects in materials and workmanship for the period of 90 days from the date of purchase. This warranty does not apply to damage due directly or indirectly, to misuse, abuse, negligence or accidents, repairs or alterations outside our facilities, criminal activity, improper installation, normal wear and tear, or to lack of maintenance. We shall in no event be liable for death, injuries to persons or property, or for incidental, contingent, special or consequential damages arising from the use of our product. Some states do not allow the exclusion or limitation of incidental or consequential damages, so the above limitation of exclusion may not apply to you. THIS WARRANTY IS EXPRESSLY IN LIEU OF ALL OTHER WARRANTIES, EXPRESS OR IMPLIED, INCLUDING THE WARRANTIES OF MERCHANTABILITY AND FITNESS.

To take advantage of this warranty, the product or part must be returned to us with transportation charges prepaid. Proof of purchase date and an explanation of the complaint must accompany the merchandise. If our inspection verifies the defect, we will either repair or replace the product at our election or we may elect to refund the purchase price if we cannot readily and quickly provide you with a replacement. We will return repaired products at our expense, but if we determine there is no defect, or that the defect resulted from causes not within the scope of our warranty, then you must bear the cost of returning the product.

This warranty gives you specific legal rights and you may also have other rights which vary from state to state.

MADDOX™
SUPERIOR AUTOMOTIVE TOOLS