

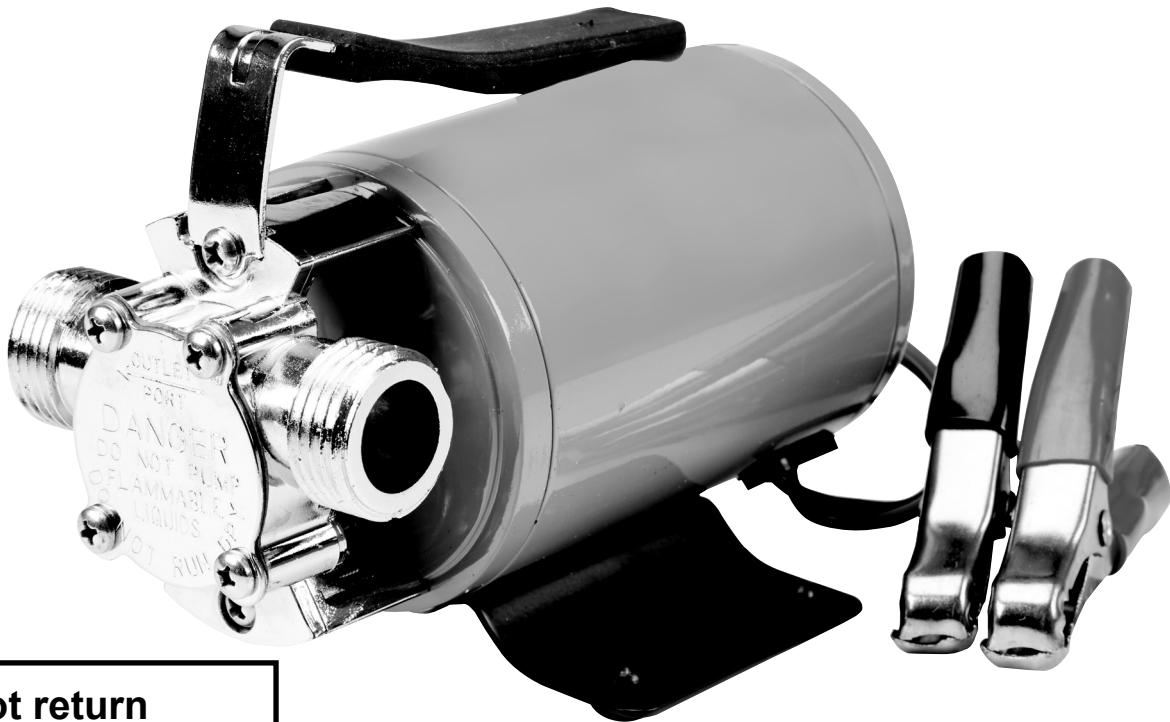
# Owner's Manual & Safety Instructions

**Save This Manual** Keep this manual for the safety warnings and precautions, assembly, operating, inspection, maintenance and cleaning procedures. Write the product's serial number in the back of the manual near the assembly diagram (or month and year of purchase if product has no number). Keep this manual and the receipt in a safe and dry place for future reference.

19b



## **12 VDC NON-SUBMERSIBLE TRANSFER PUMP**



**Do not return  
pump to the store.  
Call 1-844-416-9141**

**63324**

Visit our website at: <http://www.harborfreight.com>  
Email our technical support at: [productsupport@harborfreight.com](mailto:productsupport@harborfreight.com)

When unpacking, make sure that the product is intact and undamaged. If any parts are missing or broken, please call 1-888-866-5797 as soon as possible.

Copyright © 2016 by Harbor Freight Tools®. All rights reserved.  
No portion of this manual or any artwork contained herein may be reproduced in any shape or form without the express written consent of Harbor Freight Tools. Diagrams within this manual may not be drawn proportionally. Due to continuing improvements, actual product may differ slightly from the product described herein.  
Tools required for assembly and service may not be included.

### **⚠ WARNING**

Read this material before using this product.  
Failure to do so can result in serious injury.  
**SAVE THIS MANUAL.**


# CAUTION

This pump has been evaluated for use with water only.

## ⚠WARNING

### General Safety Warnings

**IMPORTANT! For your own safety – before starting to run the pump, please have the following items checked by an expert:**

1. Risk of electric shock – This pump has not been investigated for use in swimming pool areas.
2. The electrical connections must be protected from moisture.
3. If there is danger of flooding, the electrical connections must be taken to higher ground.
4. Circulation of caustic fluids, as well as the circulation of abrasive materials, must be avoided at all costs.
5. The pump must be protected from frost.
6. The pump must be protected from running dry.
7. Access by children should also be prevented with appropriate measures.
8.  **Do not pump flammable materials. Motor brushes may spark and cause explosions.**
9. Do not use an extension cord with this item.
10. People with pacemakers should consult their physician(s) before use. Electromagnetic fields in close proximity to heart pacemaker could cause pacemaker interference or pacemaker failure.
11. The warnings, precautions, and instructions discussed in this instruction manual cannot cover all possible conditions and situations that may occur. It must be understood by the operator that common sense and caution are factors which cannot be built into this product, but must be supplied by the operator.

### Specific 12-Volt Warnings

1. TO AVOID SERIOUS PERSONAL INJURY AND PROPERTY DAMAGE, **DO NOT ATTEMPT TO USE THIS PRODUCT TO PUMP FLAMMABLE, EXPLOSIVE, OR CORROSIVE LIQUIDS.**
2. **USE ONLY A 12 VOLT DC ELECTRICAL SYSTEM TO POWER THIS PUMP.**
3. **Do not mount pump to any vehicle that will be used on public roads.**
4. Maintain a safe working environment. Keep the work area well lit. Make sure there is adequate surrounding workspace. Keep the work area free of obstructions, sawdust, grease, oil, standing water, trash, and other debris.
5. Avoid electrical shock. Use caution when connecting the utility pump to a 12 volt, DC electrical system. Use caution when working with uninsulated conductors or bus bars. Prevent body contact with grounded surfaces. Avoid stepping in standing water or other liquids.
6. This utility pump is designed for intermittent use only. Do not use the utility pump over excessive lengths of time, as it will wear out prematurely.
7. Secure the discharge hose (not included) before starting the utility pump. An unsecured hose may whip, causing personal injury and/or property damage.
8. **Do not allow the utility pump to run dry.** Fill the pump with liquid before operation. Failing to do so may damage the oil seal (8), which depends on the liquid for its lubrication.
9. If used on a boat, read and understand all instructions and safety precautions as outlined in the manufacturer's manual for the boat on which the utility pump will be used.
10. **Lead-acid batteries generate hydrogen gas during normal operation. Hydrogen gas is: explosive and highly flammable.**
11. If connecting the utility pump temporarily to a lead-acid battery, wear ANSI-approved, safety impact eye goggles.
12. Avoid contact with battery acid. If splashed, immediately wash affected area with clean water. Continue washing area until medical help is available.

### **If Used on a Vehicle**

13. If the utility pump is used on a vehicle, turn off the ignition before making cable (17) connections.
14. Note the polarity of the vehicle's electrical system. Always connect the cable (17) on the utility pump to the positive (+) side of the vehicle's 12 volt DC electrical system. The black cable goes to the negative (-) side of the system.
15. First **connect the red power cord** to the vehicle's 12 volt DC electrical system, **Then, connect the black power cord**. After that the pump's the vehicle ignition and pump's power switch can both be turned on.
16. When **disconnecting** the power cords from the electrical system, first turn off the pump's power switch and vehicle's ignition, then **disconnect the black power cord next**. **Finally, disconnect the red power cord last**.
17. Before performing any inspection, adjustments, maintenance, or cleaning procedures on the pump, turn the ignition switch to its "off" position and disconnect the utility pump from the vehicle's 12 volt DC electrical system as outlined above.
18. DO NOT SUBMERGE THE UTILITY PUMP IN WATER.
19. People with pacemakers should consult their physician(s) before using this product. Electromagnetic fields in close proximity to a heart pacemaker could cause interference to or failure of the pacemaker.

### **Fluid Type**

---

The Pump is designed for use with water with a maximum temperature of 120° F (49°C).

Do not use the pump for other fluids, especially not fuels, cleaning fluids, or other chemical products.

## Specifications

Electrical Rating	12VDC / 9.5A
Power Cord Length	7'
Maximum Flow @ 0'	290 GPH
Maximum Head lift @ 0 Flow	40'
Intake and Discharge Ports	3/4" Garden Hose Thread

**\*Note:** For optimal performance, the intake hose (included) Inner Diameter (I.D.) must be at least 1/2" and free of air leaks. All joints and connections of the intake hose should be securely tightened to prevent air from entering the intake side. Make sure the intake hose is free from kinks.

In addition, the height from the intake to the pump and then the height from the outlet to the discharge will greatly impact pump performance.

## Operation

After reading these instructions, consider the following points before starting the pump:

**TO PREVENT FIRE, use in-line 10A fuse on positive (+) wire.**

**NOTE:** For additional reference to the parts mentioned in the following pages, refer to the **Assembly Diagram at the end of this manual.**

**NOTE:** Place the pump on a stable level surface only. Do not place the Pump on a *rounded* or uneven surface.

**CONNECT  
DISCHARGE HOSE  
(NOT INCLUDED)  
HERE**

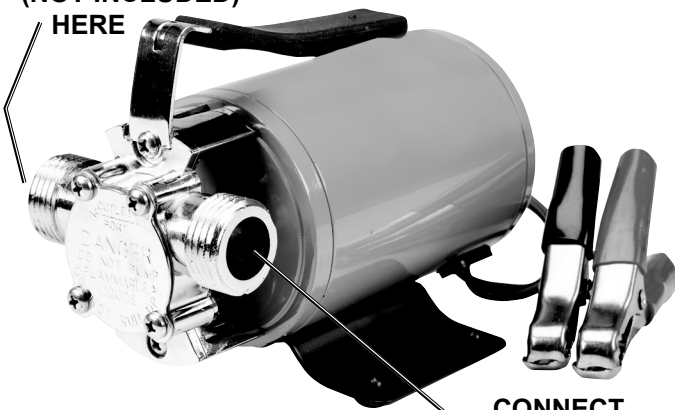


Figure A

**CONNECT  
INTAKE HOSE  
(INCLUDED)  
HERE**

1. Turn the pump on its side and place 3-4 drops of food grade vegetable oil or mineral oil into the intake coupling. Failing to do so will reduce impeller (4) life, which depends on lubrication. Pump is self-priming within 30 seconds of starting up.
2. Connect the intake and discharge hoses firmly. In the event of a leak, check that the washers are good and the connections are tight.
3. Use included intake hose and strainer. Make the outlet hose as short as possible. Prime the pump by filling the inlet hose with water and put the open end of the hose in the water you wish to pump.
4. Ensure the power switch is off, then connect the power cords to the battery. **Connect the red power cord first. Then connect the black power cord.**
5. **DO NOT RUN THE PUMP DRY! If the pump does not start to move water in 30 seconds turn it off and recheck your work.**

**NOTE:** Using the included attachment, the Pump will remove water down to 1/8". Unplug the Pump once 1/4" water level is reached.

### **WARNING**

#### **TO PREVENT INJURY AND FIRE FROM ACCIDENTAL OPERATION OR SPARKING:**

**Turn the Switch off and disconnect the Power Cords from the battery before performing any inspection, maintenance, or cleaning.**

1. **BEFORE EACH USE**, inspect the general condition of the Utility Pump. Check for loose screws, misalignment or binding of moving parts, cracked or broken parts, damaged electrical wiring, loose or leaking intake and discharge hoses, and any other condition that may affect the safe and efficient operation of the Utility Pump. If abnormal noise or vibration occurs, have the problem corrected before further use. Do not use damaged equipment.
2. Flush it out with clean water after every use.
3. **WHEN NECESSARY**: With a clean, dry cloth, or vacuum, remove all dirt and debris from the Utility Pump.
4. In cold weather, when the utility pump is not in use, protect the interior of the pump from freezing by draining the liquid and pumping a permanent type automobile antifreeze containing a rust inhibitor through the system. A 50% mixture with water is recommended. Be sure to thoroughly flush the system with a neutralizing liquid prior to reuse of the unit.

### PLEASE READ THE FOLLOWING CAREFULLY

THE MANUFACTURER AND/OR DISTRIBUTOR HAS PROVIDED THE PARTS LIST AND ASSEMBLY DIAGRAM IN THIS MANUAL AS A REFERENCE TOOL ONLY. NEITHER THE MANUFACTURER OR DISTRIBUTOR MAKES ANY REPRESENTATION OR WARRANTY OF ANY KIND TO THE BUYER THAT HE OR SHE IS QUALIFIED TO MAKE ANY REPAIRS TO THE PRODUCT, OR THAT HE OR SHE IS QUALIFIED TO REPLACE ANY PARTS OF THE PRODUCT. IN FACT, THE MANUFACTURER AND/OR DISTRIBUTOR EXPRESSLY STATES THAT ALL REPAIRS AND PARTS REPLACEMENTS SHOULD BE UNDERTAKEN BY CERTIFIED AND LICENSED TECHNICIANS, AND NOT BY THE BUYER. THE BUYER ASSUMES ALL RISK AND LIABILITY ARISING OUT OF HIS OR HER REPAIRS TO THE ORIGINAL PRODUCT OR REPLACEMENT PARTS THERETO, OR ARISING OUT OF HIS OR HER INSTALLATION OF REPLACEMENT PARTS THERETO.

### Parts List

Part	Description	Qty.
1	Panhead Screw	4
2	End Cover	1
3	Seal Washer	1
4	Impeller	1
5	Panhead Screw	2
6	Easy-Carry Handle	1
7	Pump Body	1
8	Oil Seal	1
9	Wool Felt	1
10	Check Ring	1
11	Rubber Ring	1
12	Electric Machinery	1Set
13	Panhead Screw	7

Part	Description	Qty.
14	Switch Housing (L)	1
15	Switch	1
16	Switch Housing (R)	1
17	Cable	1Set
18	Baseboard	1
19	Foot Pad	4
20	Panhead Screw	2
21	Serrated Gasket	2
22	Intake Attachment	1
23	Rubber Connector	1
24	Intake Attachment Board	1
25	Intake Hose	1

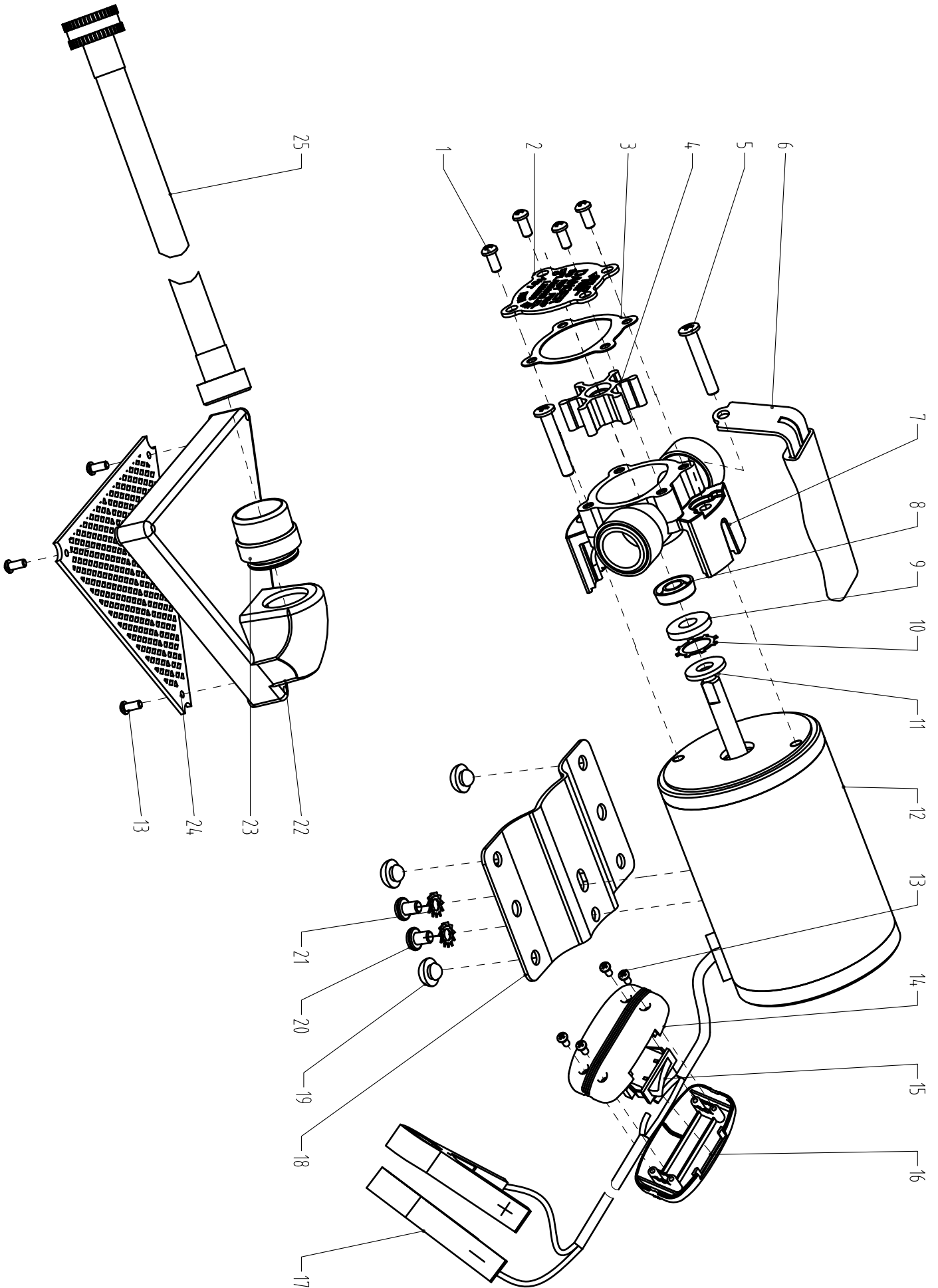
**Record Product's Serial Number Here:** \_\_\_\_\_

**Note:** If product has no serial number, record month and year of purchase instead.

**Note:** Some parts are listed and shown for illustration purposes only, and are not available individually as replacement parts.



# Assembly Diagram



## Limited 90 Day Warranty

Harbor Freight Tools Co. makes every effort to assure that its products meet high quality and durability standards, and warrants to the original purchaser that this product is free from defects in materials and workmanship for the period of 90 days from the date of purchase. This warranty does not apply to damage due directly or indirectly, to misuse, abuse, negligence or accidents, repairs or alterations outside our facilities, criminal activity, improper installation, normal wear and tear, or to lack of maintenance. We shall in no event be liable for death, injuries to persons or property, or for incidental, contingent, special or consequential damages arising from the use of our product. Some states do not allow the exclusion or limitation of incidental or consequential damages, so the above limitation of exclusion may not apply to you. THIS WARRANTY IS EXPRESSLY IN LIEU OF ALL OTHER WARRANTIES, EXPRESS OR IMPLIED, INCLUDING THE WARRANTIES OF MERCHANTABILITY AND FITNESS.

To take advantage of this warranty, the product or part must be returned to us with transportation charges prepaid. Proof of purchase date and an explanation of the complaint must accompany the merchandise. If our inspection verifies the defect, we will either repair or replace the product at our election or we may elect to refund the purchase price if we cannot readily and quickly provide you with a replacement. We will return repaired products at our expense, but if we determine there is no defect, or that the defect resulted from causes not within the scope of our warranty, then you must bear the cost of returning the product.

This warranty gives you specific legal rights and you may also have other rights which vary from state to state.

