

Owner's Manual & Safety Instructions

Save This Manual Keep this manual for the safety warnings and precautions, assembly, operating, inspection, maintenance and cleaning procedures. Write the product's serial number in the back of the manual near the assembly diagram (or month and year of purchase if product has no number). Keep this manual and the receipt in a safe and dry place for future reference.

19f

PREDATOR®

3500 WATT PORTABLE INVERTER GENERATOR

3000 RUNNING WATTS
3500 MAX STARTING WATTS



⚠ DANGER

Using a generator indoors CAN
KILL YOU IN MINUTES.

Generator exhaust contains carbon monoxide.
This is a poison you cannot see or smell.



NEVER use inside
a home or garage,
EVEN IF doors and
windows are open.

Only use OUTSIDE
and far away from
windows, doors,
and vents.

63584

Visit our website at: <http://www.harborfreight.com>

Email our technical support at: productsupport@harborfreight.com

Email our engine support at: predator@harborfreight.com

When unpacking, make sure that the product is intact and undamaged. If any parts are missing or broken, please call 1-888-866-5797 as soon as possible.

Copyright© 2017 by Harbor Freight Tools®. All rights reserved.

No portion of this manual or any artwork contained herein may be reproduced in any shape or form without the express written consent of Harbor Freight Tools. Diagrams within this manual may not be drawn proportionally. Due to continuing improvements, actual product may differ slightly from the product described herein. Tools required for assembly and service may not be included.

⚠ WARNING

Read this material before using this product.
Failure to do so can result in serious injury.
SAVE THIS MANUAL.

Table of Contents

Specifications	2	Maintenance	16
Safety	3	Troubleshooting	21
Setup	7	Parts List and Diagram	23
Operation	10	Warranties	26






Specifications

Generator	Output	120VAC, 60Hz, 25A, 1 Phase 12VDC, 8A (nominal) 3000 Running Watts 3500 Maximum Starting Watts
	Receptacles	2x NEMA #5-20 (3-prong, 120VAC) 1x NEMA #L5-30 (3-prong, 120VAC) 1x 12VDC Two Pin Outlet
Displacement		212cc
Compression Ratio		8.5:1
Engine Type		Horizontal Single Cylinder 4-stroke, OHV
Cooling System		Forced air cooled
Fuel	Type	87+ octane, stabilizer-treated unleaded gasoline
	Capacity	2.6 Gallons
Engine Oil	Type SAE	10W-30
	Capacity	20 fl. oz.
Run Time @ 25% Load with full tank		11 hr.
Sound Level at 23 feet, 25% load		57 dB
Bore x Stroke		70mm x 55mm
Spark Plug	Type	F7RTC (Torch) or equivalent
	Gap	0.027"–0.031"
Valve Clearance	Intake	0.004"–0.006"
	Exhaust	0.006"–0.008"
Engine Speed		2600–3100 RPM



The emissions control system for this Engine is warranted for standards set by the U.S. Environmental Protection Agency and by the California Air Resources Board (also known as CARB). For warranty information, refer to the last pages of this manual.





PREDATOR®

WARNING SYMBOLS AND DEFINITIONS

	This is the safety alert symbol. It is used to alert you to potential personal injury hazards. Obey all safety messages that follow this symbol to avoid possible injury or death.
	Indicates a hazardous situation which, if not avoided, will result in death or serious injury.
	Indicates a hazardous situation which, if not avoided, could result in death or serious injury.
	Indicates a hazardous situation which, if not avoided, could result in minor or moderate injury.
	Addresses practices not related to personal injury.

Symbol Definitions

Symbol	Property or Statement
RPM	Revolutions Per Minute
HP	Horsepower
AWG	American Wire Gauge
	WARNING marking concerning Risk of Eye Injury. Wear ANSI-approved safety goggles with side shields.
	Read the manual before set-up and/or use.

Symbol	Property or Statement
	WARNING marking concerning Risk of Hearing Loss. Wear hearing protection.
	WARNING marking concerning Risk of Respiratory Injury. Operate engine OUTSIDE and far away from windows, doors, and vents.
	WARNING marking concerning Risk of Fire while handling fuel. Do not smoke while handling fuel.
	WARNING marking concerning Risk of Fire. Do not refuel while operating. Keep flammable objects away from engine.

IMPORTANT SAFETY INSTRUCTIONS



WARNING! Read all instructions.

Failure to follow all instructions listed below may result in fire, serious injury and/or DEATH.


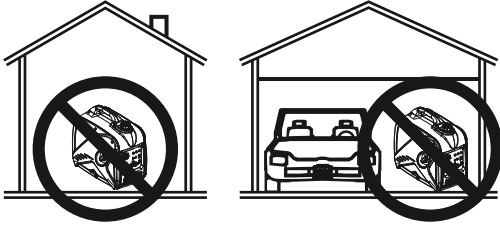
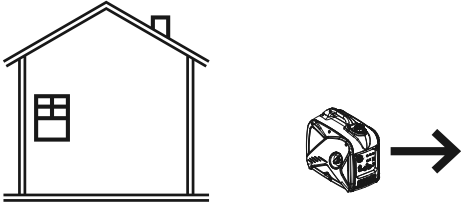
The warnings and precautions discussed in this manual cannot cover all possible conditions and situations that may occur. It must be understood by the operator that common sense and caution are factors which cannot be built into this product, but must be supplied by the operator.

SAVE THESE INSTRUCTIONS

Setup Precautions

1. Gasoline fuel and fumes are flammable, and potentially explosive. Use proper fuel storage and handling procedures. Do not store fuel or other flammable materials nearby.
2. Have multiple ABC class fire extinguishers nearby.
3. Operation of this equipment may create sparks that can start fires around dry vegetation. A spark arrestor may be required. The operator should contact local fire agencies for laws or regulations relating to fire prevention requirements.
4. Set up and use only on a flat, level, well-ventilated surface.
5. All connections and conduits from the Generator to the load must only be installed by trained and licensed electricians, and in compliance with all relevant local, state, and federal electrical codes and standards, and other regulations where applicable.
6. Connections for standby power to a building electrical system must be made by a qualified electrician. The connection must isolate the Generator power from utility power, and must comply with all applicable laws and electrical codes.
7. Wear ANSI-approved safety goggles, heavy-duty work gloves, and dust mask/respirator during set up.
8. Use only lubricants and fuel recommended in the Specifications chart of this manual.
9. Improper connections to a building electrical system can allow electrical current from the Generator to backfeed into the utility lines. Such backfeed may electrocute utility company workers or others who contact the lines during a power outage, and the Generator may explode, burn, or cause fires when utility power is restored. Consult the utility company and a qualified electrician if intending to use the Generator for back up power.
10. Do not operate the Generator before grounding. The Generator must be earth-grounded in accordance with all relevant electrical codes and standards before operation.

Operating Precautions

1.  **CARBON MONOXIDE HAZARD**
Using a generator indoors CAN KILL YOU IN MINUTES.
Generator exhaust contains carbon monoxide. This is a poison you cannot see or smell.

NEVER use inside a home or garage, EVEN IF doors and windows are open.

Only use OUTSIDE and far away from windows, doors, and vents.
2. Never use a generator indoors, including in garages, basements, crawl spaces and sheds. Opening doors and windows or using fans will NOT prevent carbon monoxide build up in the home.
3. When using generators, keep them outdoors and far away from open doors, windows, and vents to avoid toxic levels of carbon monoxide from building up indoors.
4. If you start to feel sick, dizzy, or weak while using a generator, get to fresh air right away. The carbon monoxide from generators can quickly lead to full incapacitation and death.
5. Keep children away from the equipment, especially while it is operating.
6. Keep all spectators at least six feet from the engine during operation.
7. Fire Hazard! Do not fill gas tank while engine is running. Do not operate if gasoline has been spilled. Clean spilled gasoline before starting engine. Do not operate near pilot light or open flame.
8. Do not touch engine during use. Let engine cool down after use.
9. Never store fuel or other flammable materials near the engine.
10. If the plugged in product operates abnormally or unusually slow, immediately stop using the generator as a power source. Read and adhere to the instruction manual of the product to be powered to make sure that it can be safely and efficiently powered by a portable generator.
11. Before connecting an appliance or power cord to the generator: Make sure that it is in good working order. Faulty appliances or power cords can create a potential for electrical shock.
12. Do not exceed the running wattage of the generator. Make sure that the total electrical rating of the all of the tools or appliances plugged into the generator at the same time does not exceed that of the generator. Check that the startup surge will not be beyond the limit of the generator.

Operating Precautions (continued)

13. Avoid substantially overloading which will trip the circuit breaker. Slightly overloading the generator may not trip the circuit breaker, but will lead to premature generator failure.
14. Do not attempt to connect or disconnect load connections while standing in water, or on wet or soggy ground.
15. Do not touch electrically energized parts of the generator and interconnecting cables or conductors with any part of the body, or with any non-insulated conductive object.
16. Connect the generator only to a load that is compatible with the electrical characteristics and running wattage of the generator.
17. Insulate all connections and disconnected wires.
18. Guard against electric shock.
Prevent body contact with grounded surfaces such as pipes, radiators, ranges, and refrigerators.
19. Only use a suitable means of transport and lifting devices with sufficient weight bearing capacity when transporting the generator.
20. Secure the generator on transport vehicles to prevent it from rolling, slipping, and tilting.
21. Industrial applications must follow OSHA requirements.
22. Do not leave the generator unattended when it is running. Turn off the generator (and remove safety keys, if available) before leaving the work area.
23. The generator can produce high noise levels. Prolonged exposure to noise levels above 85 dBA is hazardous to hearing. Wear ear protection when operating the generator or when working nearby while it is operating.
24. Keep access doors on enclosures locked.
25. Wear ANSI-approved safety glasses and hearing protection during use.
26. People with pacemakers should consult their physician(s) before use. Electromagnetic fields in close proximity to a heart pacemaker could cause pacemaker interference or pacemaker failure. Caution is necessary when near the engine's magneto or recoil starter.
27. Use only accessories that are recommended by Harbor Freight Tools for your model. Accessories that may be suitable for one piece of equipment may become hazardous when used on another piece of equipment.
28. Do not operate in explosive atmospheres, such as in the presence of flammable liquids, gases, or dust. Gasoline-powered engines may ignite the dust or fumes.
29. Stay alert, watch what you are doing and use common sense when operating this generator. Do not use while tired or under the influence of drugs, alcohol or medication.
30. Dress properly. Do not wear loose clothing or jewelry. Keep hair, clothing and gloves away from moving parts. Loose clothes, jewelry or long hair can be caught in moving parts.
31. Parts, especially exhaust system components, get very hot during use. Stay clear of hot parts.
32. Do not cover the generator during operation.
33. Keep the generator and surrounding area clean at all times.
34. Do not smoke, or allow sparks, flames, or other sources of ignition around the equipment, especially when refuelling.
35. Use the equipment, accessories, etc., in accordance with these instructions and in the manner intended for the particular type of equipment, taking into account the working conditions and the work to be performed. Use of the equipment for operations different from those intended could result in a hazardous situation.
36. Do not operate the equipment with known leaks in the engine's fuel system.
37. When spills of fuel or oil occur, they must be cleaned up immediately. Dispose of fluids and cleaning materials as per any local, state, or federal codes and regulations. Store oil rags in a bottom-ventilated, covered, metal container.
38. Keep hands and feet away from moving parts. Do not reach over or across equipment while operating.
39. Before use, check for misalignment or binding of moving parts, breakage of parts, and any other condition that may affect the equipment's operation. **If damaged, have the equipment serviced before using.** Many accidents are caused by poorly maintained equipment.
40. Use the correct equipment for the application. Do not modify the equipment and do not use the equipment for a purpose for which it is not intended.

Parallel Kit Precautions

WARNING

TO PREVENT SERIOUS INJURY, DEATH, AND GENERATOR AND/OR EQUIPMENT DAMAGE FROM ELECTRIC SHOCK AND FIRE:

1. Follow Parallel Kit instructions provided with Kit for connection and use of a Parallel Kit.
2. Only connect two identical Inverter Generators together using a Parallel Kit.
3. Connect Parallel Kit only to terminals marked "Parallel Outlets" on the front of the Generator.
4. Do not remove or connect a Parallel Kit while the Generator is running.
5. Do not use a Parallel Kit that is attached to only one Generator.
6. Do not use any other outlet on a Generator that has a Parallel Kit attached.

Service Precautions

1. **Before service, maintenance, or cleaning:**
 - a. **Unplug all devices from the generator.**
 - b. **Turn the Combination Switch to its "OFF" position.**
 - c. **Allow the engine to completely cool.**
 - d. **Then, remove the spark plug cap from the spark plug.**
2. Keep all safety guards in place and in proper working order. Safety guards include muffler, air cleaner, mechanical guards, and heat shields, among other guards.
3. **Keep all electrical equipment clean and dry.** Replace any wiring where the insulation is cracked, cut, abraded, or otherwise degraded. Replace terminals that are worn, discolored, or corroded. Keep terminals clean and tight.
4. **Do not alter or adjust any part of the equipment or its engine that is sealed by the manufacturer or distributor. Only a qualified service technician may adjust parts that may increase or decrease governed engine speed.**
5. Wear ANSI-approved safety goggles, heavy-duty work gloves, and dust mask/respirator during service.
6. Maintain labels and nameplates on the equipment. These carry important information. If unreadable or missing, contact Harbor Freight Tools for a replacement.
7. Have the equipment serviced by a qualified repair person using only identical replacement parts. This will ensure that the safety of the equipment is maintained. Do not attempt any service or maintenance procedures not explained in this manual or any procedures that you are uncertain about your ability to perform safely or correctly.
8. Store equipment out of the reach of children.
9. Follow scheduled engine and equipment maintenance.

Refueling:

1. Do not refill the fuel tank while the engine is running or hot.
2. Do not smoke, or allow sparks, flames, or other sources of ignition around the equipment, especially when refuelling.
3. **Do not fill fuel tank to the top.** Leave a little room for the fuel to expand as needed.
4. Refuel in a well-ventilated area only.
5. Wipe up any spilled fuel and allow excess to evaporate before starting engine.
To prevent FIRE, do not start the engine while the smell of fuel hangs in the air.



SAVE THESE INSTRUCTIONS.

Set Up



Read the **ENTIRE IMPORTANT SAFETY INFORMATION** section at the beginning of this manual including all text under subheadings therein before set up or use of this product.

WARNING

TO PREVENT SERIOUS INJURY AND FIRE: Operate only with proper spark arrestor installed.



Operation of this equipment may create sparks that can start fires around dry vegetation. A spark arrestor may be required.

The operator should contact local fire agencies for laws or regulations relating to fire prevention requirements.

At high altitudes, the engine's carburetor, governor, and any other parts that control the fuel-air ratio will need to be adjusted by a qualified mechanic to allow efficient high-altitude use and to prevent damage to the engine and any other devices used with this product.

Grounding

1. The Generator must be properly grounded in accordance with all relevant electrical codes and standards before operation. Have the unit grounded by a qualified electrician if you are not qualified to do so.
2. To ground the Generator, connect a #4 AWG grounding wire (not included) from the Grounding Terminal on the Control Panel to a grounding rod (not included). The grounding rod must be an earth-driven copper or brass rod (electrode) which can adequately ground the Generator.
3. Refer to local regulations for ground source information.

Electric Starter Battery Connection

For the electric start function, the included 12VDC Battery must be connected before first use.

1. Remove the Battery Access Door.
2. Make sure the black strap stretches over the top of the Battery and hooks into the Battery Platform.
3. Remove the covers from the Battery Terminals.
4. Locate the black and red battery cables.
5. Connect the red cable to the positive battery terminal first. Then connect the black cable to the negative battery terminal.
6. Replace the Battery Access Door.

Components and Controls

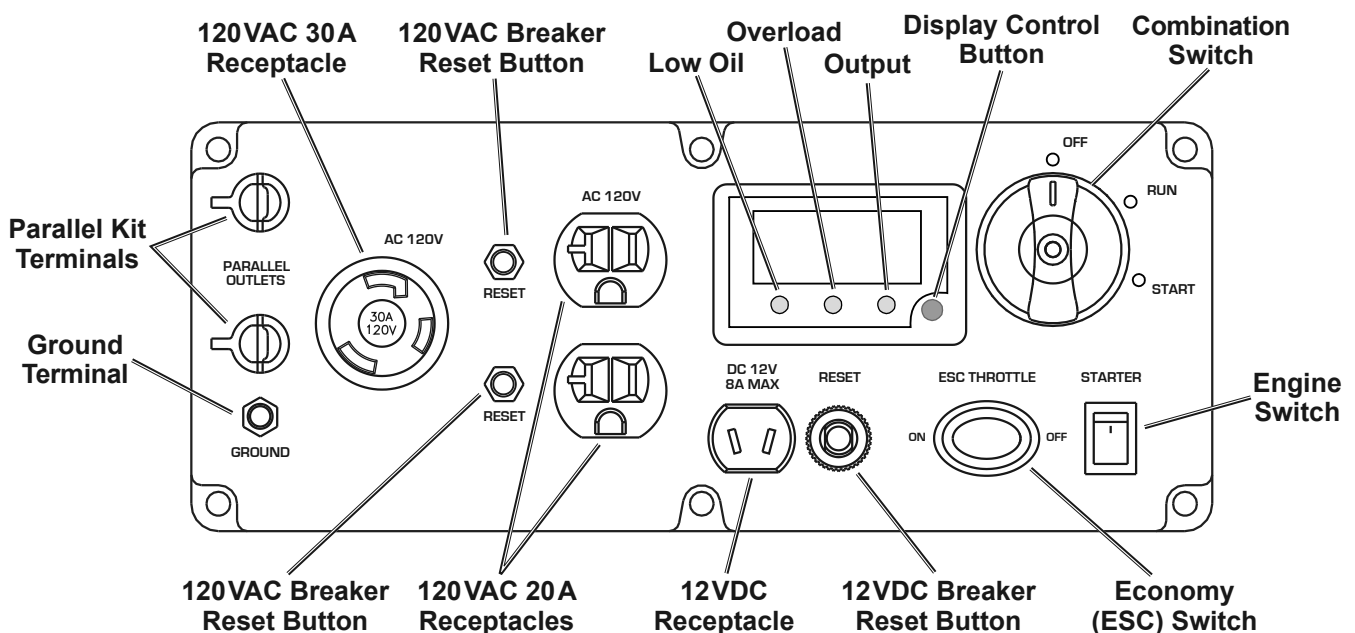


Figure A: Control Panel

WARNING! Follow Parallel Kit instructions for connection and use of a Parallel Kit (Parallel Kit and instructions sold separately).

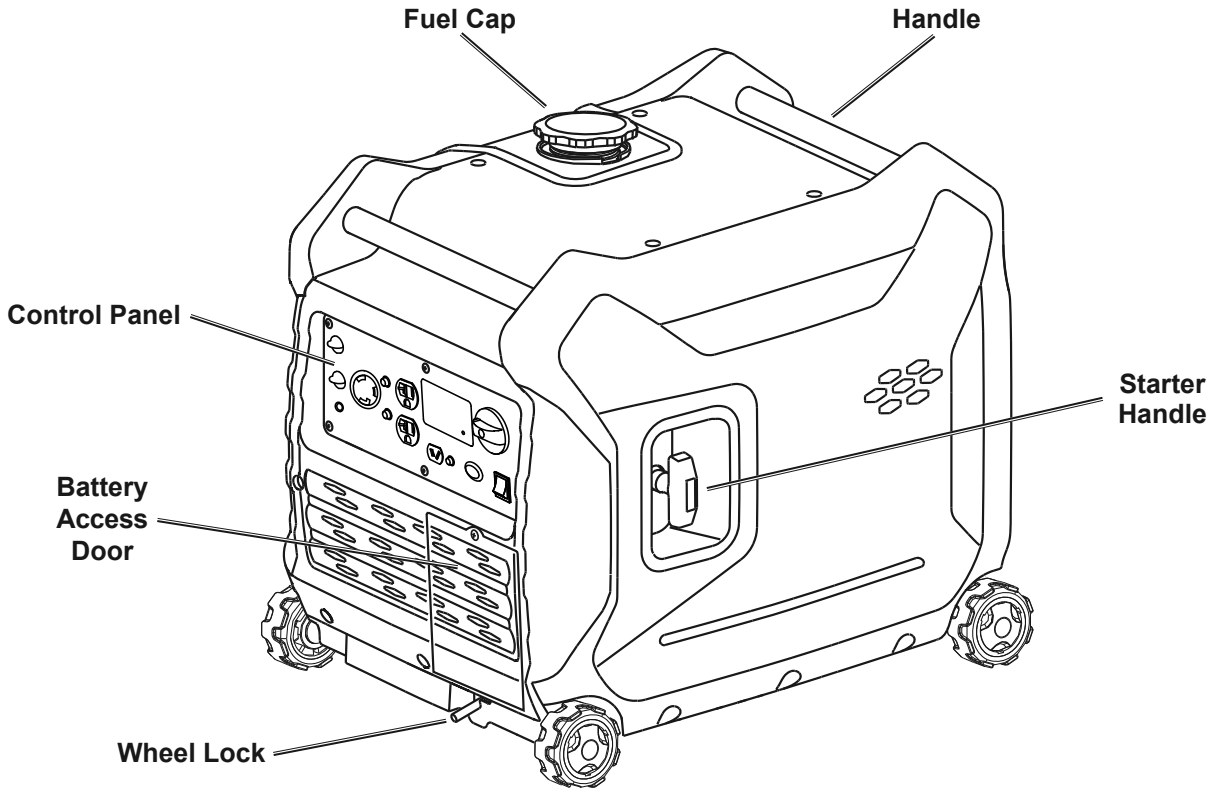


Figure B: Generator Front

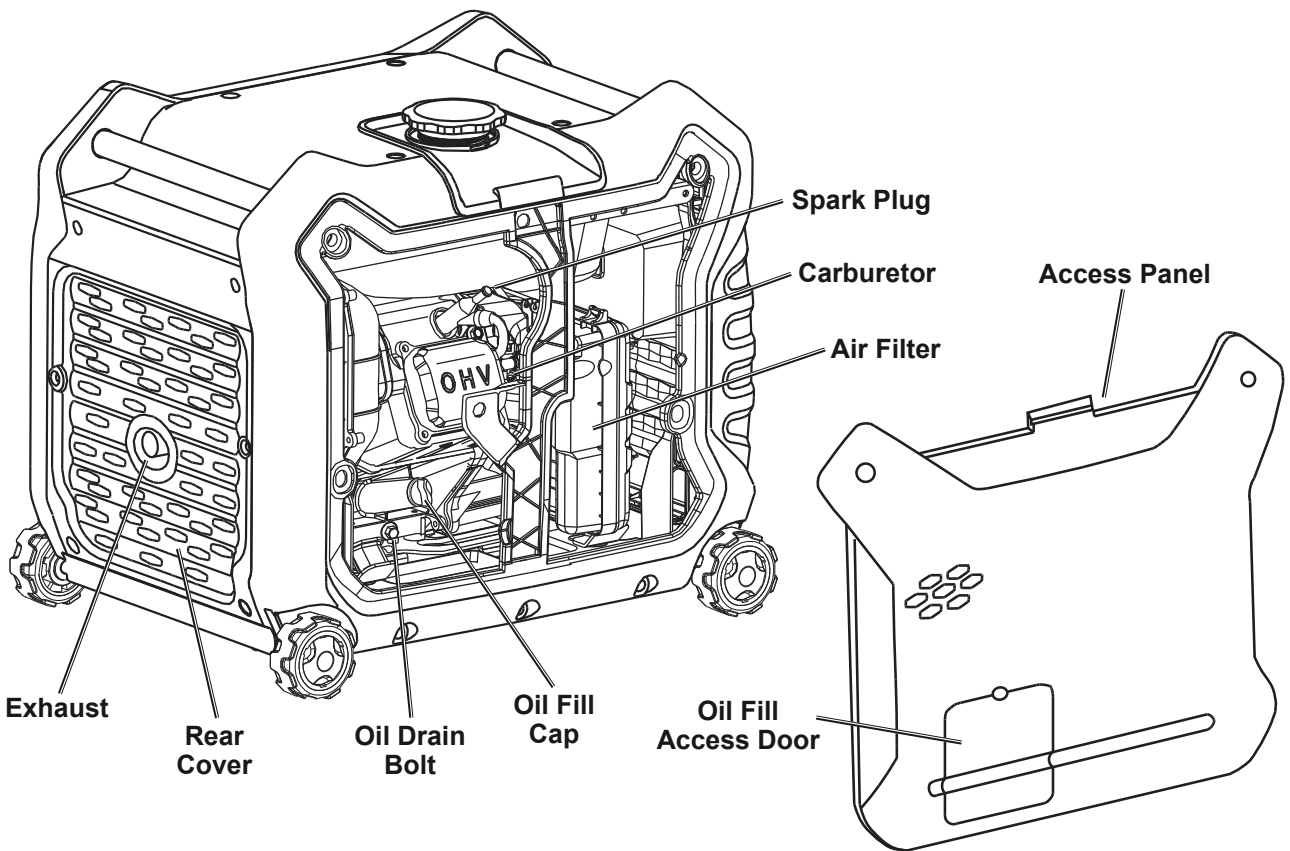


Figure C: Generator Rear and Interior

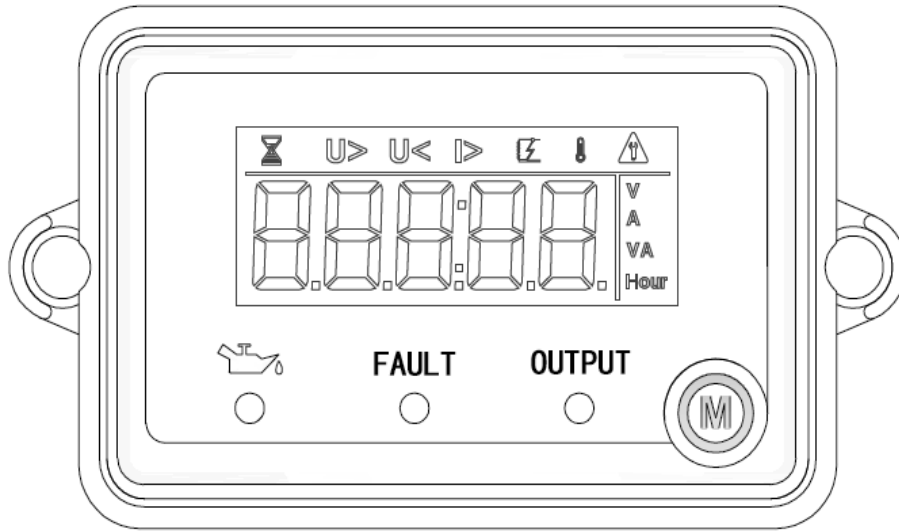









Figure D: Display Screen Symbology

Symbol	Meaning
	Normal
	AC Overvoltage
	AC Undervoltage
	Generator Output Overcurrent
	Generator Output Short Circuit
	Inverter Overheating
	Maintenance Time

Operation

⚠️ Read the **ENTIRE IMPORTANT SAFETY INFORMATION** section at the beginning of this manual including all text under subheadings therein before set up or use of this product.

Pre-Start Checks

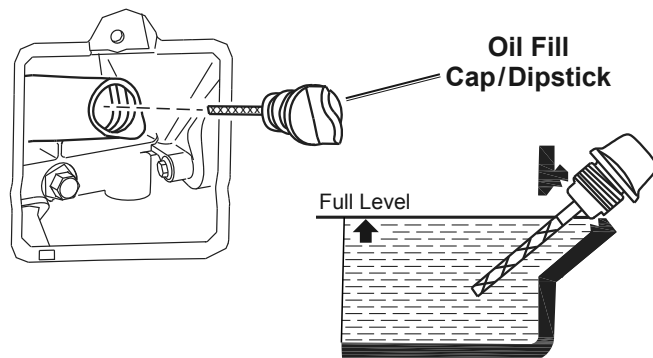
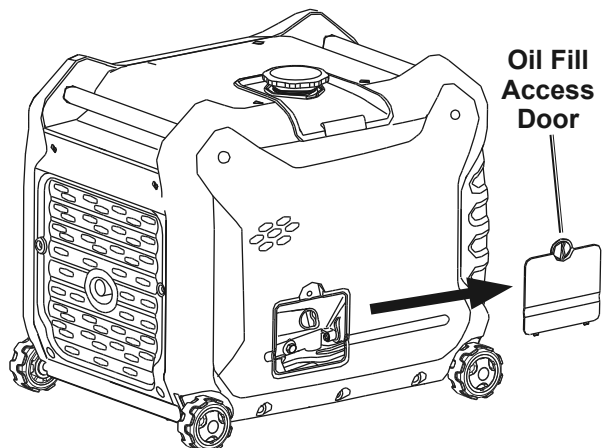
Inspect Engine and Generator looking for damaged, loose, and missing parts before set up and starting. If any problems are found, do not use equipment until fixed properly.

Checking and Filling Engine Oil

NOTICE: Generator is shipped without engine oil. Engine's crankcase **MUST** be filled with oil before first use. Your Warranty is **VOID** if the Engine's crankcase is not properly filled with oil before first use and before each use thereafter. Before each use, check the oil level. Engine will not start with low or no engine oil.

1. Make sure the Engine is stopped and is level.
2. On the left side of the Generator, loosen the Screw and remove the Oil Fill Access Door, as shown to the right.
3. Clean the top of the Oil Fill Cap/Dipstick and the area around it. Remove the Cap/Dipstick, turning it counterclockwise.
4. Check the oil level. The oil level should be up to the edge of the hole as shown.
5. As needed, add the appropriate type of oil until the oil level is at the proper level. SAE 10W-30 oil is recommended for general use.
6. Thread the Oil Fill Cap/Dipstick back in clockwise and replace the Oil Fill Access Door.

NOTICE: Do not run the engine with too little oil. Engine will shut off if engine oil level is too low.



Checking and Filling Fuel



⚠️ WARNING! TO PREVENT SERIOUS INJURY FROM FIRE:

Fill the fuel tank in a well-ventilated area away from ignition sources. If the Engine is hot from use, shut the Engine off and wait for it to cool before adding fuel. Do not smoke.

1. Clean the Fuel Cap and the area around it.
2. Unscrew and remove the Fuel Cap.
3. Remove the Strainer and remove any dirt and debris. Then replace the Strainer.

Note: Do not use gasoline containing more than 10% ethanol (E10). Do not use E85 ethanol. Add fuel stabilizer to the gasoline or the Warranty is VOID.

Note: Do not use gasoline that has been stored in a metal fuel container or a dirty fuel container. It can cause particles to enter the carburetor, affecting Engine performance and/or causing damage.

4. If needed, fill the Fuel Tank to about 1 inch under the fill neck of the Fuel Tank with 87 octane or higher unleaded gasoline that has been treated with a fuel stabilizer additive. Follow fuel stabilizer manufacturer's recommendations for use.
5. Replace the Fuel Cap.
6. Wipe up any spilled fuel and allow excess to evaporate before starting engine. To prevent FIRE, do not start the engine while the smell of fuel hangs in the air.

Starting the Engine

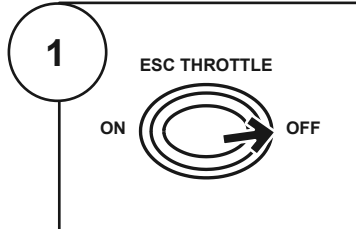
Before Starting the Engine



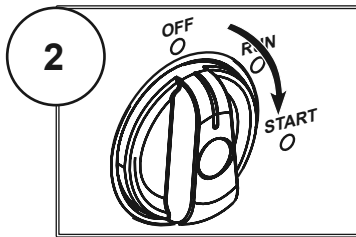
- Inspect the generator and engine.
- Disconnect all electrical loads from the generator.
- Fill the engine with the proper amount and type of both stabilizer-treated unleaded gasoline and oil.

Manual Start

1. Move the Economy (ESC) Switch to the OFF position.



2. Turn the Combination Switch to the START position.



3. Grip the Starter Handle of the Engine loosely and pull it slowly several times to allow the gasoline to flow into the Engine's carburetor. Then pull the Starter Handle gently until resistance is felt. Allow Cable to retract fully and then pull it quickly. Repeat until the Engine starts. Do not let the Starter Handle snap back against the housing. Hold it as it recoils so it doesn't hit the housing.

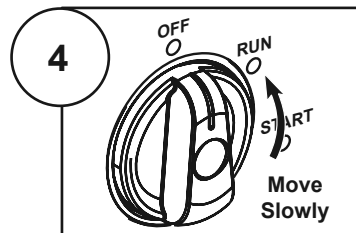
If engine does not start:

- **Check engine oil level.**
Engine will not start with low or no engine oil.
- **Check spark arrestor cleanliness.**
Engine will not start if spark arrestor is clogged.
- **For warm engine** – turn Combination Switch to RUN before trying to start it again.

4. The OUTPUT light illuminates when the Engine starts and the Generator produces power. Allow the Engine to run for several seconds, then move the Combination Switch slowly to its RUN position.

Note: Moving the Combination Switch too fast could stall the Engine.

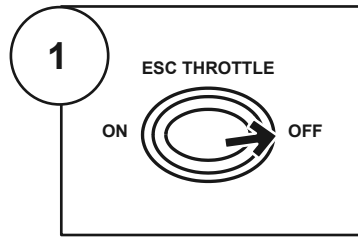
IMPORTANT: Allow the Engine to run at no load for five minutes after each start-up so that the Engine can stabilize.



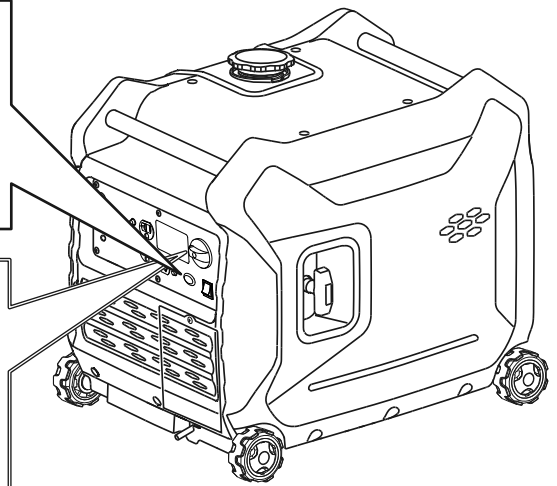
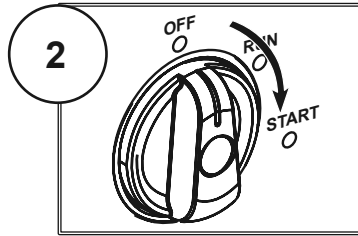
Electric Start

SAFETY

1. Move the Economy (ESC) Switch to the OFF position.

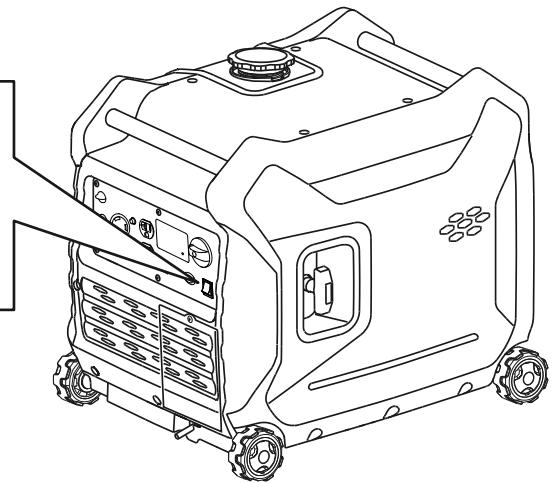
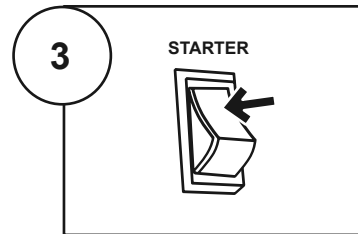


2. Turn the Combination Switch to the START position.



SETUP

3. Press and hold the Starter Button to start the Engine. If Engine does not start within 3 seconds, release Starter Button. Wait at least 10 seconds, then try again.

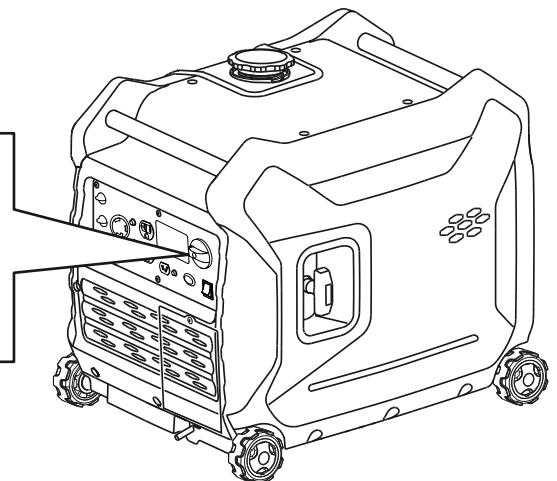
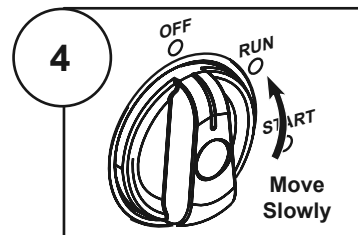


Note: If engine does not start, check engine oil level. Engine will not start with low or no engine oil.

Note: If warm engine does not start, turn Combination Switch to RUN before trying to start it again.

OPERATION

4. The OUTPUT light illuminates when the Engine starts and the Generator produces power. Allow the Engine to run for several seconds, then move the Combination Switch slowly to its RUN position.



Note: Moving the Combination Switch too fast could stall the Engine.

IMPORTANT: Allow the Engine to run at no load for five minutes after each start-up so that the Engine can stabilize.

MAINTENANCE

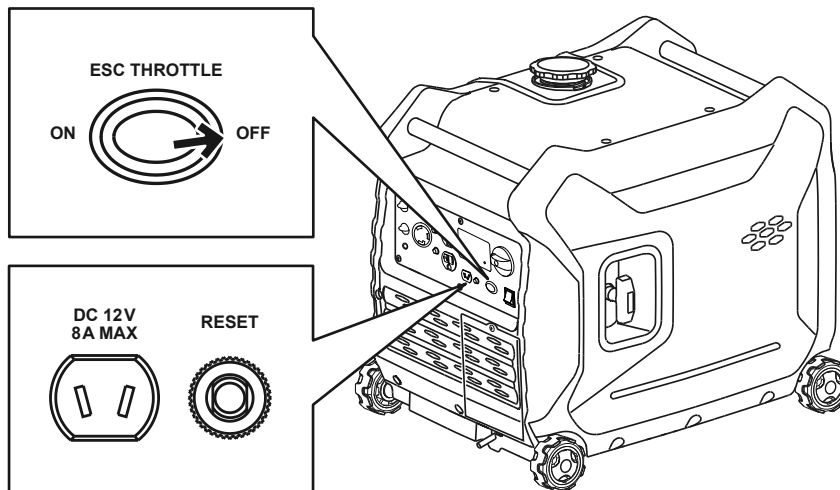
Break-in Period

- a. Breaking-in the Engine will help to ensure proper equipment and Engine operation.
- b. The break-in period will last about 30 hours of use.
DO NOT exceed 75% of the Generator's running wattage during this period.
 - Change the engine oil after this period.

Under normal operating conditions subsequent maintenance follows the schedule explained in the **MAINTENANCE** section.

Nominal 12VDC Output

1. Do not use any 120VAC outlet while using the 12VDC outlet.
2. Move the Economy (ESC) Switch to the OFF position.
3. Only use the 12VDC receptacle to charge a 12 volt lead-acid type battery using an appropriate charge controller. (Battery and controller not included.) The 12VDC output is not regulated.
4. Do not connect any device to the 12VDC terminal that draws more than 8 amps.
5. If this 12VDC circuit protection is tripped, reduce the load, and press the Reset Button next to the outlet.



Connecting 120VAC Loads to the Generator

Calculate Power Draw:

Power draw can be calculated by multiplying *volts* and *amps*. The resulting number is *wattage*.

- Never exceed the running wattage for the Generator or any outlet amperage rating.
- Refer to appliance/tool owner's manuals to determine the wattage of electrical load devices.
- Long power cords and extension cords draw additional power. Keep cord length at a minimum.

Wattage Estimates

Refer to your device documentation for start-up and running wattage requirements. Check nameplate wattages on all loads before connecting to Generator.

Plug the power cord of the 120 volt appliance/tool into the 120VAC Outlet on the Generator. Plug in appliances from largest to smallest load.

Note: Do not allow the Generator to completely run out of fuel with devices attached. A Generator's output may sharply spike as it runs out of fuel, causing damage to attached devices.

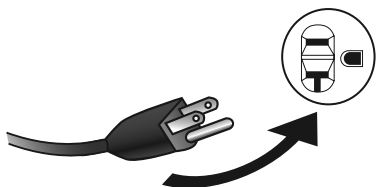


Figure E: Plug Load In

Overload Indicator

Note: The OVERLOAD light may turn on for a few seconds as a large device starts up. This is normal for loads approaching the capacity of this Generator.

1. The total combined load through the outlet on the Generator must not exceed the running power of the unit.
2. If the OVERLOAD light turns on and the Generator stops producing power, it has been overloaded.
3. Turn off and disconnect all electrical devices and stop the Engine. Compare device requirements to Generator rating and reduce the total wattage of connected devices if necessary. Move anything that may be limiting Generator ventilation away.
4. Check if any circuit breakers have tripped and make sure that ALL circuit breakers are reset before starting the Generator again.
5. Restart the Engine and reconnect devices while being careful to not overload Generator.

Low Oil Indicator

1. If the Engine oil level is too low, the LOW OIL light turns on and the Engine will automatically shut off.
2. The Engine cannot be restarted until the proper amount of oil has been added. Add the appropriate type of oil until the oil level is at the proper level. SAE 10W-30 oil is recommended for general use.

NOTICE: Do not run the engine with too little oil. Engine will shut off if engine oil level is too low.

Economy (ESC) Switch

1. Turn the Economy (ESC) Switch ON to limit noise and fuel consumption for lighter generator loads.
2. Turn the Economy (ESC) Switch OFF to operate engine at full speed:
 - a. when starting
 - b. when a heavy load is applied
 - c. when using the 12VDC output

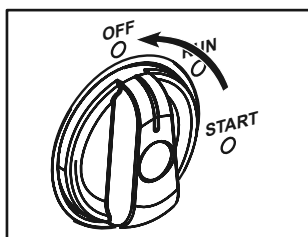
Digital Display Screen

The Display Screen can be used to monitor the operating status of the Generator. Use the Display Control Button to scroll through the following indicators:

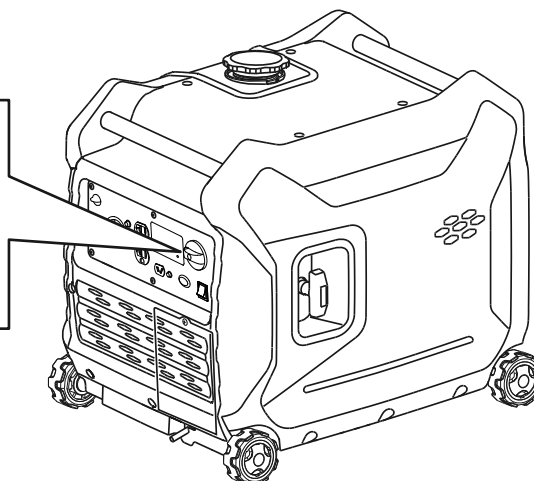
- V – Voltage
- A – Amperage
- VA – Volt Amps/Watts
- Hour – current run time and accumulative run time

Stopping the Engine

To stop the Engine in an emergency, turn the Combination Switch OFF.

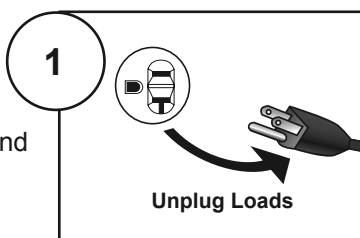


EMERGENCY SHUT OFF

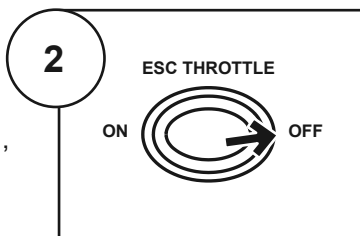


Under normal conditions, use the following procedure to shut off the Generator:

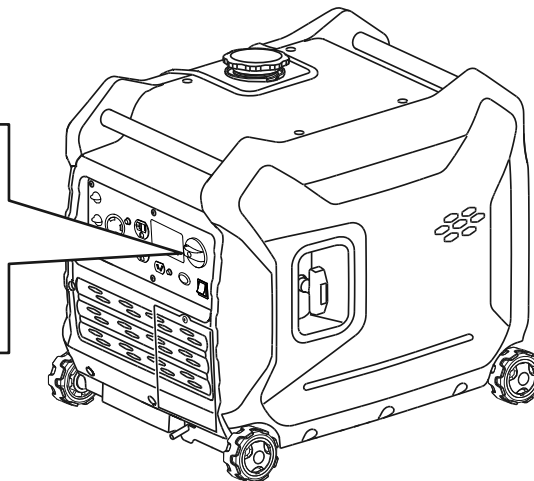
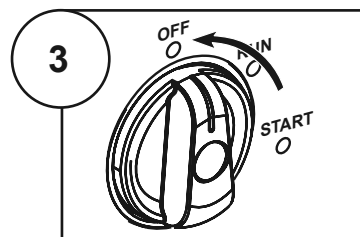
1. Turn all electrical load devices off and unplug them from the Generator.



2. If the Economy (ESC) Switch is ON, turn it to the OFF position.



3. Turn the Combination Switch OFF.



⚠WARNING

TO PREVENT SERIOUS INJURY FROM ACCIDENTAL STARTING:

Turn the Combination Switch of the equipment to its “OFF” position, wait for the engine to cool, and disconnect the spark plug cap before performing any inspection, maintenance, or cleaning procedures.

TO PREVENT SERIOUS INJURY FROM EQUIPMENT FAILURE:

Do not use damaged equipment. If abnormal noise, vibration, or excess smoking occurs, have the problem corrected before further use.

Follow all service instructions in this manual. The engine may fail critically if not serviced properly.



Many maintenance procedures, including any not detailed in this manual, will need to be performed by a qualified technician for safety. If you have any doubts about your ability to safely service the equipment or engine, have a qualified technician service the equipment instead.

Cleaning, Maintenance, and Lubrication Schedule

Note: This maintenance schedule is intended solely as a general guide. If performance decreases or if equipment operates unusually, check systems immediately. The maintenance needs of each piece of equipment will differ depending on factors such as duty cycle, temperature, air quality, fuel quality, and other factors.

Note: The following procedures are in addition to the regular checks and maintenance explained as part of the regular operation of the engine and equipment.

Procedure	Before Each Use	Monthly or every 8 hr. of use	Every 3 mo. or 50 hr. of use	Every 6 mo. or 100 hr. of use	Yearly or every 300 hr. of use	Every 2 Years	Page
1. Brush off outside of engine 2. Check engine oil level 3. Check air filter	✓						
Change engine oil				✓			17
Clean/replace air cleaner			✓*				18
1. Check and clean spark plug 2. Check and clean spark arrestor				✓			19
1. Check/adjust idle speed 2. Check/adjust valve clearance 3. Clean fuel tank, strainer and carburetor 4. Clean carbon build-up from combustion chamber					✓**		-
Replace fuel line if necessary						✓**	-

*Service more frequently when used in dusty areas.

**These items should be serviced by a qualified technician.

Checking and Filling Fuel



⚠️ WARNING! TO PREVENT SERIOUS INJURY FROM FIRE:

Fill the fuel tank in a well-ventilated area away from ignition sources. If the engine is hot from use, shut the engine off and wait for it to cool before adding fuel. Do not smoke.

1. Clean the Fuel Cap and the area around it.
2. Unscrew and remove the Fuel Cap.
3. Remove the Strainer and remove any dirt and debris. Then replace the Strainer.

Note: Do not use gasoline containing more than 10% ethanol (E10). Do not use E85 ethanol. Add fuel stabilizer to the gasoline or the Warranty is VOID.

Note: Do not use gasoline that has been stored in a metal fuel container or a dirty fuel container. It can cause particles to enter the carburetor, affecting engine performance and/or causing damage.

4. If needed, fill the Fuel Tank to about 1 inch under the fill neck of the Fuel Tank with 87 octane or higher unleaded gasoline that has been treated with a fuel stabilizer additive. Follow fuel stabilizer manufacturer's recommendations for use.
5. Replace the Fuel Cap.
6. Wipe up any spilled fuel and allow excess to evaporate before starting engine. To prevent FIRE, do not start the engine while the smell of fuel hangs in the air.

Engine Oil Change

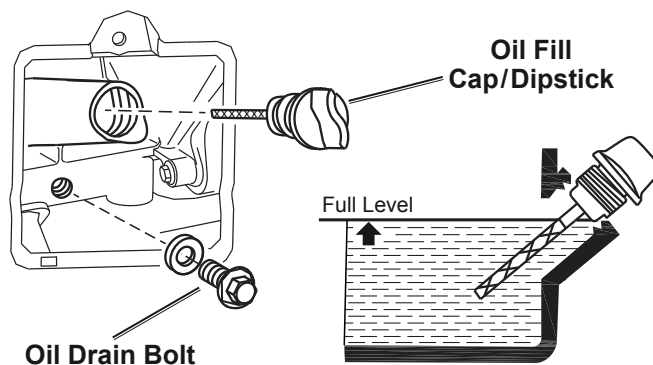
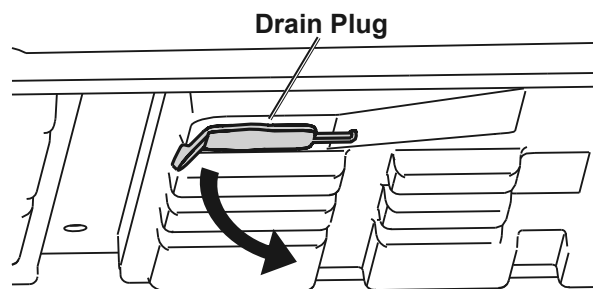
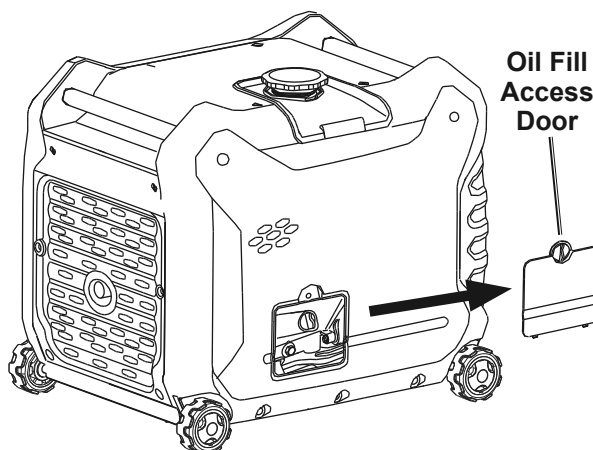
⚠️ CAUTION! Oil is very hot during operation and can cause burns. Wait for engine to cool before changing oil.

1. Make sure the Engine is stopped and is level.
2. On the left side of the Generator, loosen the Screw and remove the Oil Fill Access Door, as shown to the right.
3. Lift and tilt the Generator. Remove the Drain Plug on the bottom of the machine, then set the Generator back down on a level surface.
4. Clean the top of the Oil Fill Cap/Dipstick and the area around it. Remove the Cap/Dipstick, turning it counterclockwise.
5. Place an oil drain pan under the Generator and center under the Drain Plug opening. Remove the Oil Drain Bolt, tilt the Generator slightly to facilitate drainage and wait for oil to drain completely. Recycle used oil.
6. Tilt the Generator and replace the Drain Plug, then set the Generator back down on a level surface.
7. Replace the Oil Drain Bolt and add the appropriate type of oil until the oil level is at the proper level. SAE 10W-30 oil is recommended for general use.

Note: Make sure Generator is level when adding oil to prevent overfilling which could cause engine damage.

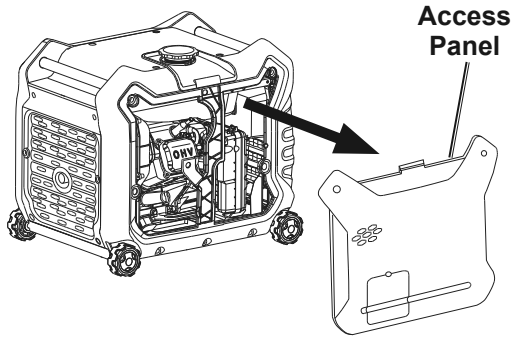
8. Check the oil level. The oil level should be up to the edge of the hole as shown.
9. Thread the Oil Fill Cap/Dipstick back in clockwise and replace the Oil Fill Access Door.

NOTICE: Do not run the engine with too little oil. Engine will not start with low or no engine oil.

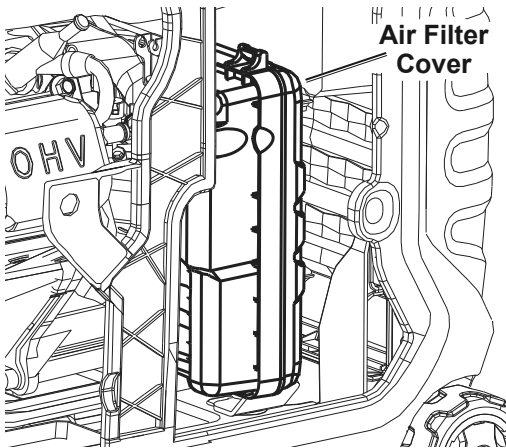


Air Filter Element Maintenance

1. Loosen two screws and remove the Access Panel on the left side of the Generator.



2. Remove the Air Filter Cover and the air filter elements and check for dirt. Clean as described below.



3. **Cleaning:**

- For “paper” filter elements:
To prevent injury from dust and debris, wear ANSI-approved safety goggles, NIOSH-approved dust mask/respirator, and heavy-duty work gloves. In a well-ventilated area away from bystanders, use pressurized air to blow dust out of the air filter.
- For foam filter elements:
Wash the element in warm water and mild detergent several times. Rinse. Squeeze out excess water and allow it to dry completely. Soak the filter in lightweight oil briefly, then squeeze out the excess oil.

4. Install the cleaned filter.
5. Secure the Air Filter Cover and replace the Access Panel before use.

Spark Arrestor Maintenance

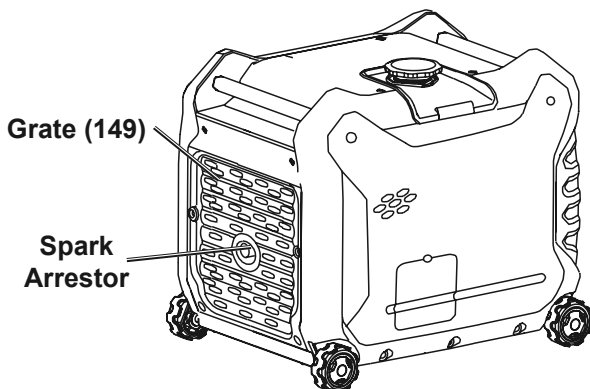
WARNING

TO PREVENT SERIOUS INJURY AND FIRE: Operate only with proper spark arrestor installed.

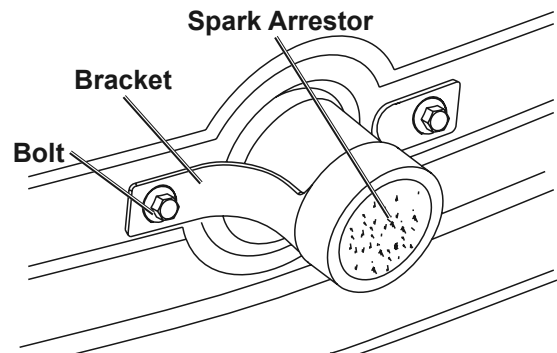


Operation of this equipment may create sparks that can start fires around dry vegetation. A spark arrestor may be required. The operator should contact local fire agencies for laws or regulations relating to fire prevention requirements.

1. Allow the Generator to cool completely.
2. Remove the 6 Screws (79) from the back of the Generator.
3. Remove the Grate (149).



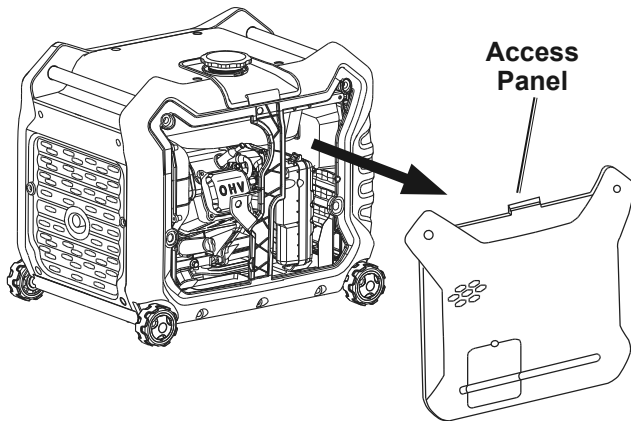
4. Remove the two Bolts that hold the Spark Arrestor Bracket in place.



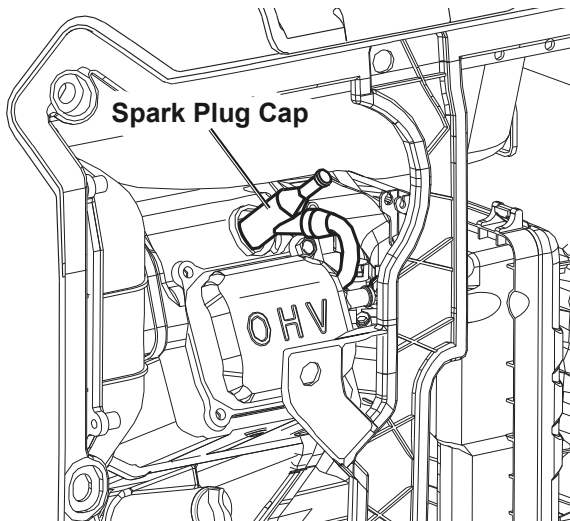
5. Clean the Spark Arrestor using a wire brush (sold separately). Replace arrestor if damaged.
6. **WARNING! TO PREVENT SERIOUS INJURY FROM ACCIDENTAL BRUSH FIRE, secure Spark Arrestor back in place immediately after cleaning and before further operation.**

Spark Plug Maintenance

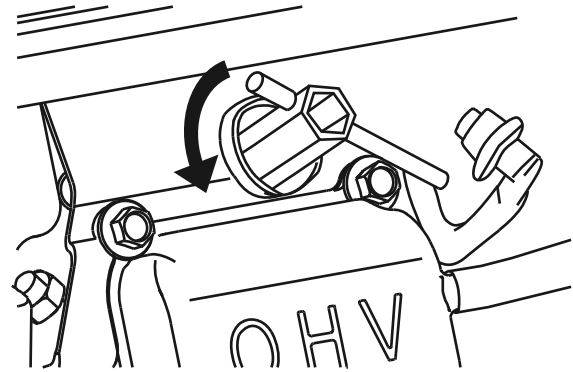
1. Loosen two screws and remove the Access Panel on the left side of the Generator.



2. Disconnect spark plug cap from end of plug. Clean out debris from around spark plug.



3. Using a spark plug wrench, remove the spark plug.



4. Inspect the spark plug:
If the electrode is oily, clean it using a clean, dry rag. If the electrode has deposits on it, polish it using emery paper. If the white insulator is cracked or chipped, the spark plug needs to be replaced.

NOTICE: Use only F7RTC type spark plug or equivalent. Using an incorrect spark plug may damage the engine.

5. When installing a new spark plug, adjust the plug's gap to the specification on the Specifications chart. Do not pry against the electrode, the spark plug can be damaged.
6. Apply anti-seize material to Spark Plug threads. Install the new spark plug or the cleaned spark plug into the engine.

- **Gasket-style:**

Finger-tighten until the gasket contacts the cylinder head, then tighten about 1/2-2/3 turn more.

- **Non-gasket-style:**

Finger-tighten until the plug contacts the cylinder head, then tighten about 1/16 turn more.

NOTICE: Tighten the spark plug properly.

If loose, the spark plug will cause the engine to overheat.

If overtightened, the threads in the engine block will be damaged.

7. Apply dielectric spark plug boot protector (not included) to the end of the spark plug and reattach the cap securely.
8. Replace Spark Plug Access Cover and Access Panel.

Storage

When the equipment is to remain idle for longer than 20 days, prepare the engine for storage as follows:

1. **CLEANING:**

Wait for engine to cool, then clean engine with dry cloth. **NOTICE: Do not clean using water.** The water will gradually enter the engine and cause damage.

2. **FUEL:**

To protect the fuel tank during storage, fill the tank with gasoline that has been treated with a fuel stabilizer additive. Follow fuel stabilizer manufacturer's recommendations for use. Refer to *Checking and Filling Fuel* on page 17.



⚠ WARNING! TO PREVENT SERIOUS INJURY FROM FIRE:

Drain the fuel tank in a well-ventilated area away from ignition sources. If the engine is hot from use, shut the engine off and wait for it to cool before draining fuel. Do not smoke.

3. **LUBRICATION:**

- a. Change engine oil.
- b. Clean out area around spark plug.
Remove spark plug and pour one tablespoon of engine oil into cylinder through spark plug hole.

- c. Replace spark plug, but leave spark plug cap disconnected.
- d. Pull Starter Handle to distribute oil in cylinder. Stop after one or two revolutions when you feel the piston start the compression stroke (when you start to feel resistance).

4. **STORAGE AREA:**

Cover and store in a dry, level, well-ventilated area out of reach of children. Storage area should also be away from ignition sources, such as water heaters, clothes dryers, and furnaces.

NOTICE: During extended storage periods the Engine must be started every 3 months and allowed to run for 15–20 minutes or the Warranty is VOID.

5. **AFTER STORAGE:**

Before starting the engine after storage, keep in mind that untreated gasoline will deteriorate quickly. Drain the fuel tank and change to fresh fuel if untreated gasoline has been sitting for a month, if treated gasoline has been sitting beyond the fuel stabilizer's recommended time period, or if the engine does not start.

Troubleshooting

Problem	Possible Causes	Probable Solutions
Engine will not start	FUEL RELATED: <ol style="list-style-type: none"> No fuel in tank or fuel valve closed. Choke not in START position, cold engine. Gasoline with more than 10% ethanol used. (E15, E20, E85, etc.) Low quality or deteriorated, old gasoline. Carburetor not primed. Dirty fuel passageways. Carburetor needle stuck. Fuel can be smelled in the air. Too much fuel in chamber. This can be caused by the carburetor needle sticking. Clogged Fuel Filter. 	FUEL RELATED: <ol style="list-style-type: none"> Fill fuel tank with fresh 87+ octane stabilizer-treated unleaded gasoline and open fuel valve. Do not use gasoline with more than 10% ethanol (E15, E20, E85, etc.). Move Choke to START position. Clean out ethanol rich gasoline from fuel system. Replace components damaged by ethanol. Use fresh 87+ octane stabilizer-treated unleaded gasoline only. Do not use gasoline with more than 10% ethanol (E15, E20, E85, etc.). Use fresh 87+ octane stabilizer-treated unleaded gasoline. Do not use gasoline with more than 10% ethanol (E15, E20, E85, etc.). Pull on Starter Handle to prime. Clean out passageways using fuel additive. Heavy deposits may require further cleaning. Gently tap side of carburetor float chamber with screwdriver handle. Turn Choke to RUN position. Remove spark plug and pull the start handle several times to air out the chamber. Reinstall spark plug and set Choke to START position. Replace Fuel Filter.
	IGNITION (SPARK) RELATED: <ol style="list-style-type: none"> Spark plug cap not connected securely. Spark plug electrode wet or dirty. Incorrect spark plug gap. Spark plug cap broken. Incorrect spark timing or faulty ignition system. 	IGNITION (SPARK) RELATED: <ol style="list-style-type: none"> Connect spark plug cap properly. Clean spark plug. Correct spark plug gap. Replace spark plug cap. Have qualified technician diagnose/repair ignition system.
	COMPRESSION RELATED: <ol style="list-style-type: none"> Cylinder not lubricated. Problem after long storage periods. Loose or broken spark plug. (Hissing noise will occur when trying to start.) Loose cylinder head or damaged head gasket. (Hissing noise will occur when trying to start.) Engine valves or tappets mis-adjusted or stuck. 	COMPRESSION RELATED: <ol style="list-style-type: none"> Pour tablespoon of oil into spark plug hole. Crank engine a few times and try to start again. Tighten spark plug. If that does not work, replace spark plug. If problem persists, may have head gasket problem, see #3. Tighten head. If that does not remedy problem, replace head gasket. Have qualified technician adjust/repair valves and tappets.
	ENGINE OIL RELATED: <ol style="list-style-type: none"> Low engine oil. Engine mounted on slope, triggering low oil shutdown. 	ENGINE OIL RELATED: <ol style="list-style-type: none"> Fill engine oil to proper level. Check engine oil before EVERY use. Operate engine on level surface. Check engine oil level.
	SPARK ARRESTOR RELATED: <ol style="list-style-type: none"> Spark Arrestor clogged with soot. 	SPARK ARRESTOR RELATED: <ol style="list-style-type: none"> Clean and replace Spark Arrestor.



Follow all safety precautions whenever diagnosing or servicing the generator or engine.

SAFETY

SETUP

OPERATION

MAINTENANCE

Problem	Possible Causes	Probable Solutions
Engine misfires	<ol style="list-style-type: none"> 1. Spark plug cap loose. 2. Incorrect spark plug gap or damaged spark plug. 3. Defective spark plug cap. 4. Old or low quality gasoline. 5. Incorrect compression. 	<ol style="list-style-type: none"> 1. Check cap and wire connections. 2. Re-gap or replace spark plug. 3. Replace spark plug cap. 4. Use only fresh 87+ octane stabilizer-treated unleaded gasoline. Do not use gasoline with more than 10% ethanol (E15, E20, E85, etc.). 5. Diagnose and repair compression. (Use Engine will not start: COMPRESSION RELATED section.)
Engine stops suddenly	<ol style="list-style-type: none"> 1. Fuel tank empty or full of impure or low quality gasoline. 2. Low oil shutdown. 3. Defective fuel tank cap creating vacuum, preventing proper fuel flow. 4. Faulty magneto. 5. Disconnected or improperly connected spark plug cap. 	<ol style="list-style-type: none"> 1. Fill fuel tank with fresh 87+ octane stabilizer-treated unleaded gasoline. Do not use gasoline with more than 10% ethanol (E15, E20, E85, etc.). 2. Fill engine oil to proper level. Check engine oil before EVERY use. 3. Test/replace fuel tank cap. 4. Have qualified technician service magneto. 5. Secure spark plug cap.
Engine stops when under heavy load	<ol style="list-style-type: none"> 1. Dirty air filter 2. Engine running cold. 	<ol style="list-style-type: none"> 1. Clean element. 2. Allow engine to warm up prior to operating equipment.
Engine knocks	<ol style="list-style-type: none"> 1. Old or low quality gasoline. 2. Engine overloaded. 3. Incorrect spark timing, deposit buildup, worn engine, or other mechanical problems. 	<ol style="list-style-type: none"> 1. Fill fuel tank with fresh 87+ octane stabilizer-treated unleaded gasoline. Do not use gasoline with more than 10% ethanol (E15, E20, E85, etc.). 2. Do not exceed equipment's load rating. 3. Have qualified technician diagnose and service engine.
Engine backfires	<ol style="list-style-type: none"> 1. Impure or low quality gasoline. 2. Engine too cold. 3. Intake valve stuck or overheated engine. 4. Incorrect timing. 	<ol style="list-style-type: none"> 1. Fill fuel tank with fresh 87+ octane stabilizer-treated unleaded gasoline. Do not use gasoline with more than 10% ethanol (E15, E20, E85, etc.). 2. Use cold weather fuel and oil additives to prevent backfiring. 3. Have qualified technician diagnose and service engine. 4. Check engine timing.
Attached device doesn't have power	<ol style="list-style-type: none"> 1. Device not plugged in properly. 2. Circuit Breaker tripped. 3. Product needs service. 	<ol style="list-style-type: none"> 1. Turn off and unplug the device, then plug it back in again and turn on. 2. Turn off and unplug device, reset Circuit Breaker, plug in device and turn on. 3. Have product repaired.
Attached device doesn't have power	<ol style="list-style-type: none"> 1. Device not plugged in properly. 2. Circuit Breaker tripped. 3. Product needs service. 	<ol style="list-style-type: none"> 1. Turn off and unplug the device, then plug it back in again and turn on. 2. Turn off and unplug device, reset Circuit Breaker, plug in device and turn on. 3. Have product repaired.
Attached device begins to operate abnormally	<ol style="list-style-type: none"> 1. Problem with device. 2. Rated load capacity exceeded. 	<ol style="list-style-type: none"> 1. Immediately unplug device. Have device repaired by a qualified technician, or replace device. 2. Lower the number of items plugged into the generator to stay within the rated capacity, or use a more powerful generator.



Follow all safety precautions whenever diagnosing or servicing the generator or engine.

Parts List and Diagram

Parts List

Part	Description	Qty	Part	Description	Qty	Part	Description	Qty
1	Hex Flange Bolt	4	64	Hex Flange Bolt	2	128	Motor Mount	1
2	Cylinder Head Cover	1	65	Side Plate	1	129	Wheel Dust Cap	4
3	Engine Oil Strainer	1	66	Pan Head Screw	2	130	Wheel	4
4	Breather Chamber Packing	1	67	Socket Head Screw	4	131	Pin Clip	4
5	Hex Flange Bolt	2	68	Motor Components	1	132	Nut	8
6	Breather Chamber Cap	1	69	Flat Washer	1	133	Frame Components	1
7	Breather Tube	1	70	Hex Flange Bolt	1	134	Wheel Shaft Lock Disc	1
8	Air Deflector	1	71	Motor Fan	1	135	Support Wheel Stop Arm	1
9	Hex Flange Bolt	4	72	Starting Disc	1	136	Lock Washer	11
10	Spark Plug	1	73	Hex Flange Bolt	4	137	Generator Shell (Right)	1
11	Cylinder Head	1	74	Fan Cover Comp.	1	138	Hex Head Flange Bolt	6
12	Split Damping Ring	2	75	Cable Cleat	1	139	Exterior Cover (Right)	1
13	Valve Rocker Combination	2	76	Hex Flange Bolt	12	140	Recoil Hand Shank Cover	1
14	Valve Adjustment Cap	2	77	Elastic Washer	4	141	Cushioning Rubber	1
15	Valve Spring Retainer	2	78	Connecting Rod	1	142	Starting Motor	1
16	Inner Valve Spring	2	79	Small Pan Head Screw	24	143	Muffler Guard Shield	1
17	Valve Kit	1	80	Power Socket Combination	1	144	Muffler Bracket	1
18	Valve Rocker Shaft	2	81	Power Socket Combination	1	145	Hex Flange Bolt	2
19	Push Rod	2	82	Parallel Outlet	1	146	Muffler Body	1
20	Valve Lifter	2	83	Parallel Outlet	1	147	Muffler Guard Shield	1
21	Valve Oil Seal	1	84	Parallel Outlet Cover	2	148	Wind Scoop	1
22	Cylinder Head Cover Gasket	1	85	Start Control Switch	1	149	Grate	1
23	Stud	2	86	Idle Switch	1	150	Oil Fill Access Door Screw	1
24	Stud	2	87	Idle Switch Cover	1	151	Oil Fill Access Door	1
25	Carburetor Gasket	1	88	DC Circuit Breaker	1	152	Exterior Cover (Left)	1
26	Step Motor Mounting Bracket	1	89	DC Outlet	1	153	Generator Shell (Left)	1
27	Pan Head Screw	2	91	Control Panel Components	1	154	Tank Damping Cushion	1
28	Rubber Plug	1	92	Control Panel Harness	1	155	Tank Damping Cushion	2
29	Pan Head Screw	2	93	Battery Access Door	1	156	Fuel Cap	1
30	Carburetor	1	94	Slotted Pan Head Screw	3	157	Rubber Pouring Orifice	1
31	Clip Combination	4	95	Panel Bed	1	158	Screw Cover	4
32	Oil Tube	1	96	Pan Head Tapping Screw	30	159	Generator Shell (Top)	1
33	Carburetor Gasket	1	97	Cable Connection Panel	1	160	Lever Combination	2
34	Choke Valve Bracket	1	98	Inverter Inlet Air Deflector	1	161	Hex Flange Bolt	4
35	Carburetor Gasket	1	99	Combination Switch	1	162	Flat Washer	6
36	Hex Flange Nut	3	100	Oil Switch Components	1	163	Liner Tube	4
37	Air Filter	1	101	Oil Tube	1	164	Fuel Tank Damping Cushion	4
38	Carburetor Heat Pad	1	102	Rubber Cushion	2	165	Fuel Strainer	1
39	Carburetor Gasket	1	103	Inverter Assembly	1	166	Fuel Tank	1
40	Hex Flange Bolt	3	104	Storage Battery	1	167	Fuel Tank Support Bracket	1
41	Piston	1	105	Pull Rope Handle	1	168	Fuel Tank Support Bracket	1
42	Crankcase Cover Pin	2	106	Hex Flange Bolt	2	169	Bracket, Canister	1
43	Crankshaft	1	107	Inverter Mounting Bracket	1	170	Carbon Canister Assembly	1
44	Piston Ring Combination	1	108	Vertical Frame	2	171	Canister Pipe	1
45	Piston Pin	1	109	Vertical Frame	2	172	Canister Pipe	1
46	Steel Cable Baffle Ring	2	110	Hex Flange Bolt	10	173	Fuel Tank Outlet	1
47	Cylinder Head Gasket	1	111	Rope Support	1	174	Hex Flange Bolt	8
48	Cylinder Head Pin	4	112	Engine Support Plate	1	175	Oil Switch Knob	1
49	Oil Rule Combination	1	113	Engine Support Plate	1	176	Small Pan Head Screw	1
50	Sealing Plug Screw	1	114	Hex Flange Nut	16	177	Battery Bracket	1
51	Flat Washer	7	115	Motor Mount	1	178	Battery Platform	1
52	Pressing Plate	1	116	Motor Mount	1	179	Air Filter Bracket	1
53	Crankcase Cover	1	117	Rubber Cushion	1	180	Outlet Gasket	1
54	Hex Flange Bolt	6	118	Constant Current Charger	1	181	Hex Flange Nut	1
55	Oil Level Sensor	1	119	Battery Baffle	1	182	Hex Flange Bolt	2
56	Bearing	2	120	Lighter	1	183	Flat Washer	4
57	Crankcase Cover Gasket	1	121	Rubber Cushion	2	184	Battery Strap	1
58	Camshaft Assembly	1	122	Caulking	1	185	Wire Clip	2
59	Crankcase Body	1	123	Square Nuts	6	186	Canister Pipe Clip	4
60	Wire Nail	1	124	Clip Nut	16	187	Oil Spout	1
61	Pressing Plate	1	125	Support Wheel Stop Block	1	188	Ground Wire	1
62	Oil Seal	1	126	Frame Bottom Plate	1	189	Rubber Cushion	1
63	Ignition Coil Assembly	1	127	Motor Mount	1			

SAFETY

SETUP

OPERATION

MAINTENANCE

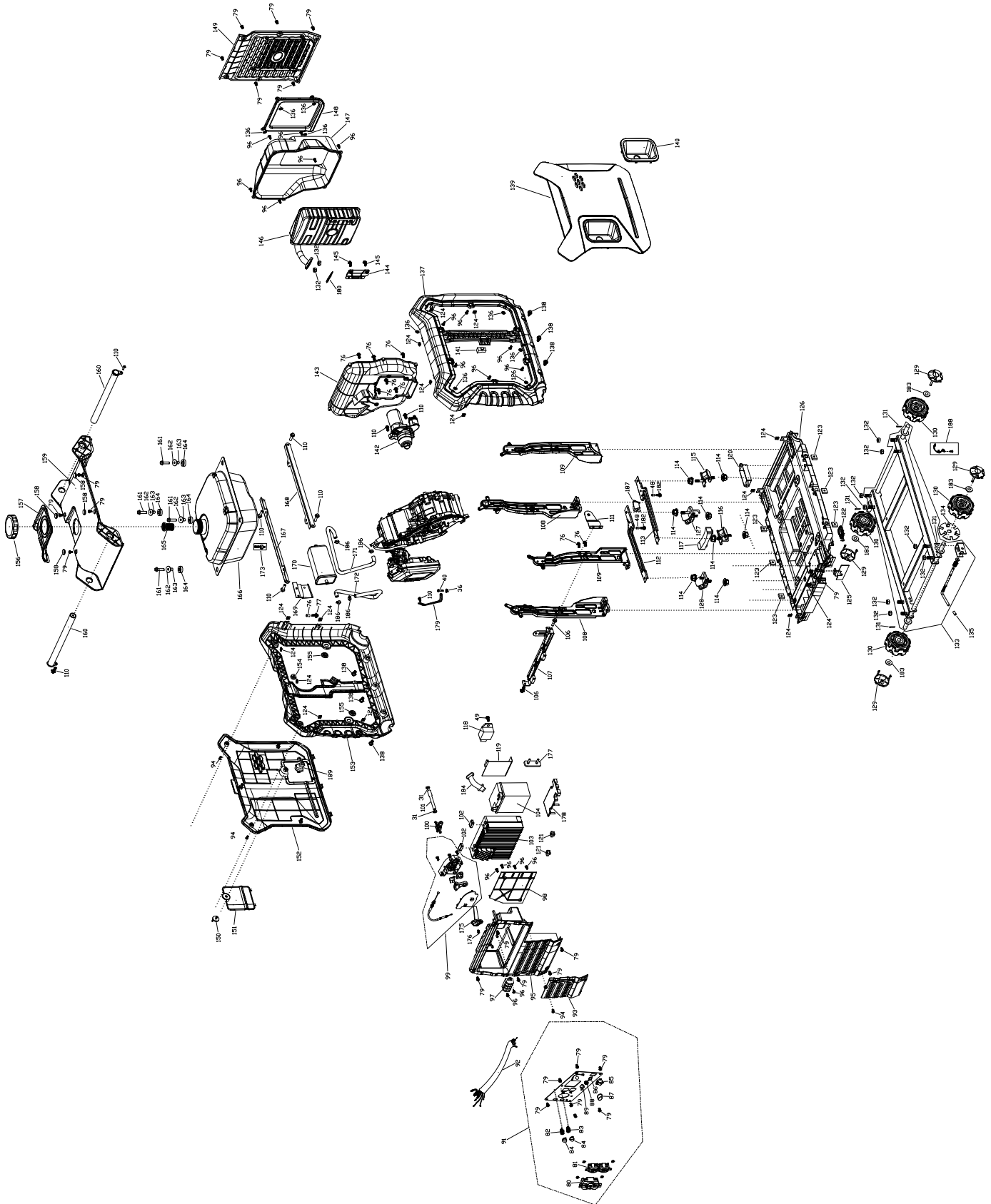
Assembly Diagram

SAFETY

SETUP

OPERATION

MAINTENANCE

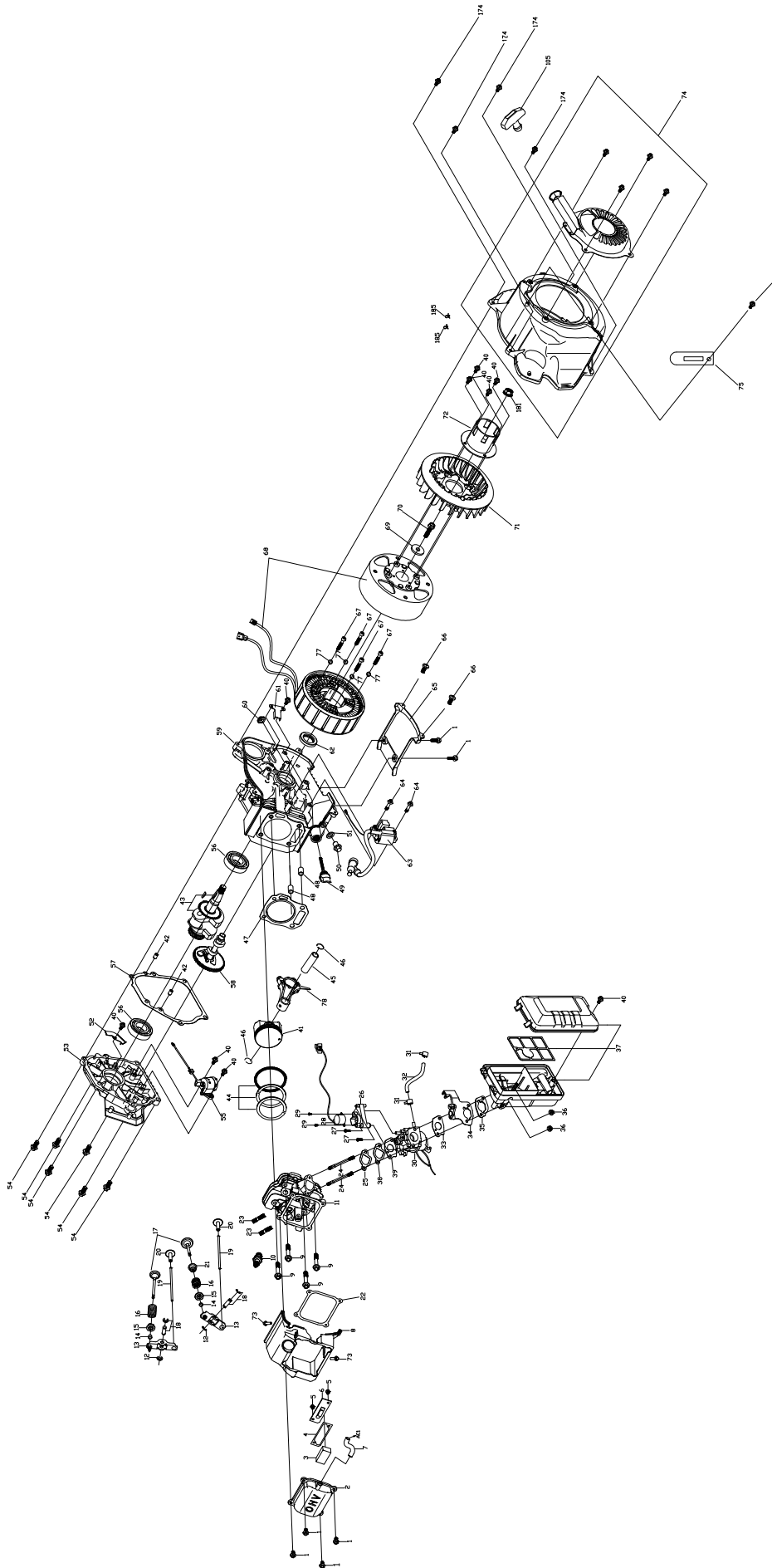


Record Product's Serial Number Here: _____

Note: If product has no serial number, record month and year of purchase instead.

Note: Some parts are listed and shown for illustration purposes only, and are not available individually as replacement parts.

Assembly Diagram (continued)



SAFETY

SETUP

OPERATION

MAINTENANCE

Limited 90 Day Warranty (Retail)

Harbor Freight Tools Co. makes every effort to assure that its products meet high quality and durability standards, and warrants to the original purchaser that this product is free from defects in materials and workmanship for the period of 90 days from the date of purchase. This warranty does not apply to damage due directly or indirectly, to misuse, abuse, negligence or accidents, repairs or alterations outside our facilities, criminal activity, improper installation, normal wear and tear, or to lack of maintenance. We shall in no event be liable for death, injuries to persons or property, or for incidental, contingent, special or consequential damages arising from the use of our product. Some states do not allow the exclusion or limitation of incidental or consequential damages, so the above limitation of exclusion may not apply to you. THIS WARRANTY IS EXPRESSLY IN LIEU OF ALL OTHER WARRANTIES, EXPRESS OR IMPLIED, INCLUDING THE WARRANTIES OF MERCHANTABILITY AND FITNESS, EXCEPT FOR THE EMISSIONS CONTROL SYSTEM WARRANTY BELOW.

To take advantage of this warranty, the product or part must be returned to us with transportation charges prepaid. Proof of purchase date and an explanation of the complaint must accompany the merchandise. If our inspection verifies the defect, we will either repair or replace the product at our election or we may elect to refund the purchase price if we cannot readily and quickly provide you with a replacement. We will return repaired products at our expense, but if we determine there is no defect, or that the defect resulted from causes not within the scope of our warranty, then you must bear the cost of returning the product.

This warranty gives you specific legal rights and you may also have other rights which vary from state to state. HFT also warrants that the emissions control system on your engine is designed, built, and equipped so that it conforms to the United States Environmental Protection Agency's (EPA) emissions requirements in effect at the time of manufacture.

Emissions Control System Warranty

The California Air Resources Board and Harbor Freight Tools (HFT) are pleased to explain the emissions control system warranty on your 2018 Small Off-Road Engine, in addition to the Retail Warranty above. In California, new equipment that uses small off-road engines must be designed, built, and equipped to meet the State's stringent anti-smog standards. HFT must warrant that the emissions control system on your engine will be free from defects in material and workmanship for two (2) years, provided there has been no abuse, neglect, or improper maintenance of your engine. HFT also warrants that the emissions control system on your engine is designed, built, and equipped so that it conforms to the United States Environmental Protection Agency's (EPA) emissions requirements in effect at the time of manufacture.

Your emissions control system may include parts such as the carburetor or fuel-injection system, the ignition system, catalytic converter, fuel tanks, fuel lines, fuel caps, valves, canisters, vapor hoses, clamps, connectors, and other emissions-related assemblies.

Where a warrantable condition exists, HFT will repair or replace, at our option, your engine if at no cost to you, including diagnosis, parts and labor.

MANUFACTURER'S WARRANTY COVERAGE

This emissions control system is warranted for two years. If any emission-related part on your engine is defective, the part will be repaired or replaced by HFT.

OWNER'S WARRANTY RESPONSIBILITIES

As the engine owner, you are responsible for the performance of the required maintenance listed in your Owner's Manual.

As the engine owner, you should however be aware that HFT may deny you warranty coverage if your engine or a part has failed due to abuse (including failure to follow the fuel use instructions contained in this manual), neglect, improper maintenance, or unapproved modifications.

You are responsible for contacting HFT as soon as the problem exists in order to obtain warranty repair or replacement, by doing either of the following: (a) contact HFT product support at 1-888-866-5797 or productsupport@harborfreight.com; or (b) bring the to your nearest Harbor Freight Tools retail store. The nearest Harbor Freight Tools retail store can be found on the internet at <http://www.harborfreight.com>. The warranty repairs or replacement should be completed in a reasonable amount of time, not to exceed 30 days. If you have a question regarding your warranty coverage, you should contact HFT product support at 1-888-866-5797 or productsupport@harborfreight.com.

GENERAL EMISSIONS WARRANTY COVERAGE

- a) The warranty period begins on the date the engine or equipment is delivered to an ultimate purchaser. The warranty period is two years.
- b) HFT warrants to the initial owner and each subsequent owner that the engine is:
 1. Designed, built, and equipped so as to conform with all applicable regulations adopted by the Air Resources Board; and
 2. Free from defects in materials and workmanship that causes the failure of a warranted part for a period of two years.
- c) The warranty on emissions-related parts is as follows:
 1. Any warranted part that is not scheduled for replacement as required maintenance in the written instructions provided, is warranted for the warranty period stated above. If any such part fails during the period of warranty coverage, it will be repaired or replaced HFT. Any such part repaired or replaced under the warranty will be warranted for the remaining warranty period.
 2. Any warranted part that is scheduled only for regular inspection in the written instructions is warranted for the warranty period stated above. A statement in the written instructions to the effect of "repair or replace as necessary" does not reduce the period of warranty coverage. Any such part repaired or replaced under warranty will be warranted for the remaining warranty period.
 3. Any warranted part that is scheduled for replacement as required maintenance in the written instructions will be warranted for the period of time prior to the first scheduled replacement point for that part. If the part fails prior to the first scheduled replacement, the part will be repaired or replaced by HFT. Any such part repaired or replaced under warranty will be warranted for the remainder of the period prior to the first scheduled replacement point for the part.
 4. Repair or replacement of any warranted part under the warranty will be performed at no charge to the owner at a retail store or by HFT paying for shipping the product for repair.
 5. Notwithstanding the provisions herein, warranty services or repairs will be provided at all retail stores or by contacting HFT product support at 1-888-866-5797 or productsupport@harborfreight.com.
 6. The owner will not be charged for diagnostic labor that leads to the determination that a warranted part is in fact defective, provided that such diagnostic work is performed at a retail store.
 7. HFT is liable for damages to other engine components proximately caused by a failure under warranty of any warranted part.
 8. Throughout the emissions warranty period stated above, HFT will maintain a supply of warranted parts sufficient to meet the expected demand for such parts.
 9. Any replacement part may be used in the performance of any warranty maintenance or repairs and will be provided without charge to the owner. Such use will not reduce the warranty obligations of HFT.
 10. Add-on or modified parts that are not approved by HFT may not be used. The use of any non-exempted add-on or modified parts will be grounds for disallowing a warranty claim. HFT is not liable to warrant failures of warranted parts caused by the use of a non-exempted add-on or modified part.

d) Emission Warranty Parts List.

1. Fuel Metering System
 - a. Carburetor and its internal parts (and/or pressure regulator or fuel injection system).
 - b. Fuel tank.
 - c. Cold start enrichment system.
 - d. Air/fuel ratio feedback and control system.
2. Air Induction System
 - a. Controlled hot air intake system.
 - b. Intake manifold.
 - c. Air filter.
3. Ignition System
 - a. Spark plugs.
 - b. Magneto ignition system.
 - c. Spark advance/retard system.
4. Catalyst System (if so equipped)
 - a. Exhaust pipe stud/exhaust manifold.
 - b. Thermal reactor.
 - c. Catalytic converter (if so equipped).
5. Particulate Controls
 - a. Traps, filters, precipitators, and any other device used to capture particulate emissions.
6. Miscellaneous Items Used in Above Systems
 - a. Vacuum, temperature and time sensitive valves and switches.
 - b. Hoses, belts, connectors, and assemblies.
7. Evaporative Emission Control System
 - a. Fuel tank.
 - b. Fuel caps, valves, canisters, filters, vapor hoses, clamps, connectors, belts, and assemblies.

HFT provides with each product written instructions for the maintenance and use of the product by the owner.

PLEASE READ THE FOLLOWING CAREFULLY

THE MANUFACTURER AND/OR DISTRIBUTOR HAS PROVIDED THE PARTS LISTS AND ASSEMBLY DIAGRAMS IN THIS MANUAL AS A REFERENCE TOOL ONLY. NEITHER THE MANUFACTURER OR DISTRIBUTOR MAKES ANY REPRESENTATION OR WARRANTY OF ANY KIND TO THE BUYER THAT HE OR SHE IS QUALIFIED TO MAKE ANY REPAIRS TO THE PRODUCT, OR THAT HE OR SHE IS QUALIFIED TO REPLACE ANY PARTS OF THE PRODUCT. IN FACT, THE MANUFACTURER AND/OR DISTRIBUTOR EXPRESSLY STATES THAT ALL REPAIRS AND PARTS REPLACEMENTS SHOULD BE UNDERTAKEN BY CERTIFIED AND LICENSED TECHNICIANS, AND NOT BY THE BUYER. THE BUYER ASSUMES ALL RISK AND LIABILITY ARISING OUT OF HIS OR HER REPAIRS TO THE ORIGINAL PRODUCT OR REPLACEMENT PARTS THERETO, OR ARISING OUT OF HIS OR HER INSTALLATION OF REPLACEMENT PARTS THERETO.

PREDATOR®

26541 Agoura Road • Calabasas, CA 91302 • 1-888-866-5797