

Owner's Manual & Safety Instructions

Save This Manual Keep this manual for the safety warnings and precautions, assembly, operating, inspection, maintenance and cleaning procedures. Write the product's serial number in the back of the manual near the assembly diagram (or month and year of purchase if product has no number). Keep this manual and the receipt in a safe and dry place for future reference.

REV 17b

PITTSBURGH[®] AUTOMOTIVE

63685

Steering Wheel Remover Set



Visit our website at: <http://www.harborfreight.com>
Email our technical support at: productsupport@harborfreight.com

When unpacking, make sure that the product is intact and undamaged. If any parts are missing or broken, please call 1-888-866-5797 as soon as possible.

Copyright© 2017 by Harbor Freight Tools®. All rights reserved.

No portion of this manual or any artwork contained herein may be reproduced in any shape or form without the express written consent of Harbor Freight Tools. Diagrams within this manual may not be drawn proportionally. Due to continuing improvements, actual product may differ slightly from the product described herein. Tools required for assembly and service may not be included.

⚠WARNING

**Read this material before using this product.
Failure to do so can result in serious injury.
SAVE THIS MANUAL.**

Specifications

Cap Screws (2 each)	3-1/2" L, 3/8"-16 TPI 3-1/2" L, 5/16"-24 TPI 3-1/2" L, M8x1.25
Steering Wheel Bolts (2)	4" L, 5/16"-18 TPI
Snap Ring Bolts (1 each)	M14x1.5 9/16"x18 TPI (internal)

PITTSBURGH[®] AUTOMOTIVE

Important Safety Information

1. To prevent serious injury from explosion, carefully follow service instructions to disable airbag before use.
2. Assemble and use only according to these instructions. Improper assembly and usage can create hazards.
3. Wear ANSI-approved safety goggles and heavy-duty work gloves during use.
4. Use as intended only.
5. Use only according to vehicle service instructions.
6. Inspect before use; do not use if damaged.
7. Keep away from children.
8. Disconnect ground lead from vehicle battery before using Steering Wheel Remover.
9. Do not use when tired or when under the influence of drugs or medication.
10. Maintain product labels and nameplates. These carry important safety information. If unreadable or missing, contact Harbor Freight Tools for a replacement.

PITTSBURGH[®] AUTOMOTIVE

Instructions



Read the **ENTIRE IMPORTANT SAFETY INFORMATION** section at the beginning of this document including all text under subheadings therein before set up or use of this product.

⚠️ WARNING



TO PREVENT SERIOUS INJURY FROM EXPLOSION:
Carefully follow service instructions to disable airbag before working near steering wheel or steering column.

Steering Wheel Removal

The Steering Wheel Remover is designed to remove the steering wheels of most domestic and imported vehicles. Three separate Cap Screw sets (1, 2 and 3) and one set of Steering Wheel Bolts (4) are used with the Forcing Screw (9). The following instructions apply to most standard vehicles. However, consult your vehicle owner's manual for specific instructions for your vehicle.

1. Set the vehicle transmission to park (neutral if vehicle is a manual transmission), point the wheels straight ahead, turn the engine off and set the emergency brake.
2. Disconnect the ground lead from the battery.
3. Carefully remove any molding, horn or air bag assembly following your vehicle manufacturer's instructions until you can access the shaft nut holding the steering wheel hub assembly and the steering shaft.
4. Draw a line with a marker (sold separately) at the 12 o'clock position on the shaft and the steering wheel so you can align the steering wheel when reinstalling it.
5. Remove the shaft nut with a wrench (sold separately).
6. Locate the threaded holes in the steering wheel hub assembly and select the Cap Screw set (1, 2 or 3) that fits the threads.
7. Place the Forcing Screw (9) over the center of the wheel.
8. Slide the Cap Screws through each end of the Forcing Screw bar and thread them into the threaded holes in the wheel.
9. Using a wrench (sold separately), slowly turn the center bolt clockwise, forcing the steering wheel off the shaft.

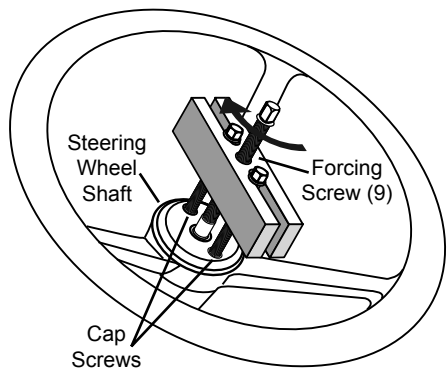


Figure A

Snap Ring Removal

The Lock Plate Attachment is used to compress the steering wheel lock plate while the snap ring is removed/installed.

To Remove Snap Ring and Lock Plate

1. Remove the Steering Wheel following the previous instructions for this kit.
2. Select the appropriate Snap Ring Bolt (5 or 6) for your vehicle and thread onto the steering shaft until secure.
3. Place the Lock Plate Attachment (10) and then the Washer (7) over the Snap Ring Bolt.
4. Thread the Nut (11) onto the Snap Ring Bolt and turn clockwise using a wrench (sold separately) to hold down the lock plate and allow the snap ring to be removed.
5. Remove the Snap Ring Bolt.

To Install Snap Ring and Lock Plate

1. Position the lock plate over the steering shaft.
2. Select the appropriate Snap Ring Bolt (5 or 6) for your vehicle and slide the snap ring onto it.
3. Thread the Snap Ring Bolt onto the steering shaft. Place the Lock Plate Attachment and then the Washer over the Snap Ring Bolt.
4. Thread the Nut onto the Snap Ring Bolt and turn clockwise using a wrench (sold separately) until the snap ring can be slipped down over the beveled end of the center post screw and into the shaft's groove.
5. Remove the Snap Ring Bolt.

Note: The Steering Wheel Lock Plate Attachment can also be used to access the turn signal switch and airbag modules on certain GM® vehicles. Consult your vehicle manufacturer for instructions for your vehicle.

WARNING! Re-enable airbag system after service according to service instructions.

Maintenance

⚠️WARNING

TO PREVENT SERIOUS INJURY FROM TOOL FAILURE:

Do not use damaged equipment. If abnormal noise or vibration occurs, have the problem corrected before further use.

Cleaning, Maintenance, and Lubrication

1. **BEFORE EACH USE**, inspect the general condition of the tool. Check for:
 - loose hardware
 - misalignment or binding of moving parts
 - cracked or broken parts
 - any other condition that may affect its safe operation.
2. **AFTER USE**, wipe the tool off with a clean cloth.
3. When storing, coat all parts with a light oil to prevent rust, then store them in the Carrying Case (8).

PLEASE READ THE FOLLOWING CAREFULLY

THE MANUFACTURER AND/OR DISTRIBUTOR HAS PROVIDED THE PARTS LIST AND ASSEMBLY DIAGRAM IN THIS DOCUMENT AS A REFERENCE TOOL ONLY. NEITHER THE MANUFACTURER OR DISTRIBUTOR MAKES ANY REPRESENTATION OR WARRANTY OF ANY KIND TO THE BUYER THAT HE OR SHE IS QUALIFIED TO MAKE ANY REPAIRS TO THE PRODUCT, OR THAT HE OR SHE IS QUALIFIED TO REPLACE ANY PARTS OF THE PRODUCT. IN FACT, THE MANUFACTURER AND/OR DISTRIBUTOR EXPRESSLY STATES THAT ALL REPAIRS AND PARTS REPLACEMENTS SHOULD BE UNDERTAKEN BY CERTIFIED AND LICENSED TECHNICIANS, AND NOT BY THE BUYER. THE BUYER ASSUMES ALL RISK AND LIABILITY ARISING OUT OF HIS OR HER REPAIRS TO THE ORIGINAL PRODUCT OR REPLACEMENT PARTS THERETO, OR ARISING OUT OF HIS OR HER INSTALLATION OF REPLACEMENT PARTS THERETO.

Parts List and Diagram

Part	Description	Qty.
1	Cap Screw 3-1/2" L, 3/8"-16 TPI	2
2	Cap Screw 3-1/2" L, 5/16"-24 TPI	2
3	Cap Screw 3-1/2" L, M8x1.25	2
4	Steering Wheel Bolt 4" L, 5/16"-18 TPI	2
5	Snap Ring Bolt M14x1.5	1

Part	Description	Qty.
6	Snap Ring Bolt 9/16" x 18 TPI (internal)	1
7	Washer	1
8	Carrying Case	1
9	Forcing Screw	1
10	Lock Plate Attachment	1
11	Nut	1



Record Serial Number Here:

Note: If product has no serial number, record month and year of purchase instead.

Note: Some parts are listed and shown for illustration purposes only, and are not available individually as replacement parts.

Limited 90 Day Warranty

Harbor Freight Tools Co. makes every effort to assure that its products meet high quality and durability standards, and warrants to the original purchaser that this product is free from defects in materials and workmanship for the period of 90 days from the date of purchase. This warranty does not apply to damage due directly or indirectly, to misuse, abuse, negligence or accidents, repairs or alterations outside our facilities, criminal activity, improper installation, normal wear and tear, or to lack of maintenance. We shall in no event be liable for death, injuries to persons or property, or for incidental, contingent, special or consequential damages arising from the use of our product. Some states do not allow the exclusion or limitation of incidental or consequential damages, so the above limitation of exclusion may not apply to you. THIS WARRANTY IS EXPRESSLY IN LIEU OF ALL OTHER WARRANTIES, EXPRESS OR IMPLIED, INCLUDING THE WARRANTIES OF MERCHANTABILITY AND FITNESS.

To take advantage of this warranty, the product or part must be returned to us with transportation charges prepaid. Proof of purchase date and an explanation of the complaint must accompany the merchandise. If our inspection verifies the defect, we will either repair or replace the product at our election or we may elect to refund the purchase price if we cannot readily and quickly provide you with a replacement. We will return repaired products at our expense, but if we determine there is no defect, or that the defect resulted from causes not within the scope of our warranty, then you must bear the cost of returning the product.

This warranty gives you specific legal rights and you may also have other rights which vary from state to state.

PITTSBURGH[®] AUTOMOTIVE