

Owner's Manual & Safety Instructions

Save This Manual Keep this manual for the safety warnings and precautions, assembly, operating, inspection, maintenance and cleaning procedures. Write the product's serial number in the back of the manual near the assembly diagram (or month and year of purchase if product has no number). Keep this manual and the receipt in a safe and dry place for future reference.

21d

PITTSBURGH[®] AUTOMOTIVE

63762

Mechanic's Roller Seat with Drawers



Visit our website at: <http://www.harborfreight.com>
Email our technical support at: productsupport@harborfreight.com

When unpacking, make sure that the product is intact and undamaged. If any parts are missing or broken, please call 1-888-866-5797 as soon as possible.

Copyright© 2021 by Harbor Freight Tools®. All rights reserved.
No portion of this manual or any artwork contained herein may be reproduced in any shape or form without the express written consent of Harbor Freight Tools. Diagrams within this manual may not be drawn proportionally. Due to continuing improvements, actual product may differ slightly from the product described herein.
Tools required for assembly and service may not be included.

⚠ WARNING

Read this material before using this product.
Failure to do so can result in serious injury.
SAVE THIS MANUAL.

Specifications

Drawer Size	12 5/8 in. L x 7 5/8 in. W x 2 3/8 in. H (each)
Drawer Load Capacity	22 lb
Side Tray Load Capacity	11 lb

IMPORTANT SAFETY INFORMATION

1. Do not roll the seat while loaded over rough surfaces, such as concrete seams. Use on flat, level, hard surface only. Wheels may scratch or dig into less durable surfaces (such as linoleum or wood).
2. Wear ANSI-approved safety goggles and heavy-duty work gloves during assembly.
3. Use as intended only. Do not stand on seat or lean back on seat.
4. This product is not a toy. Do not allow children to play with or near this item.
5. Close all drawers completely before sitting on or rolling Seat.
6. Keep bystanders out of the area during assembly.
7. Do not assemble when tired or when under the influence of alcohol, drugs or medication.
8. Weight capacity and other product capabilities apply to properly and completely assembled product only.
9. Inspect before every use; do not use if parts are loose or damaged.
10. Do not exceed 350 lb weight capacity.
Be aware of dynamic loading!
Sudden load movement may briefly create excess load causing product failure.
11. Maintain product labels and nameplates. These carry important safety information. If unreadable or missing, contact Harbor Freight Tools for a replacement.
12. People with pacemakers should consult their physician(s) before use. Electromagnetic fields in close proximity to heart pacemaker could cause pacemaker interference or pacemaker failure.

Assembly Instructions



Read the **ENTIRE IMPORTANT SAFETY INFORMATION** section at the beginning of this document including all text under subheadings therein before set up or use of this product.

1. Assemble Casters (9) through the holes on the Side Tray Frame (4) and secure in place using Sleeve Nuts (14). Tighten securely using a hex key. (See Figure A.)

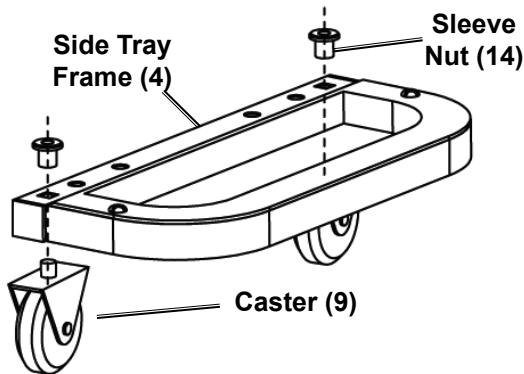
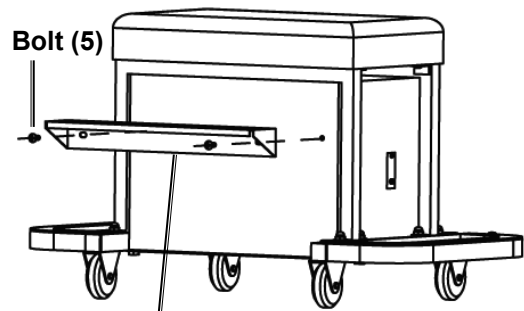


Figure A:

3. To assemble the Tool Holder Shelf (6), screw the Bolt (5) through the holes in the Shelf and into the back side of the body, as shown in Figure C.



Tool Holder Shelf (6)
Figure C:

2. To assemble the magnetic Side Trays, insert Bolt (10) through the Support Bar (18), then through the holes on the Side Tray Frame. Then insert through the Body Frame (2) and Washer (16), and secure with Nut (11). (See Figure B.)

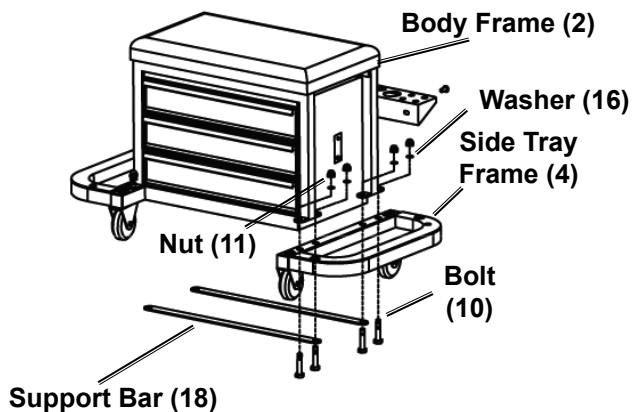
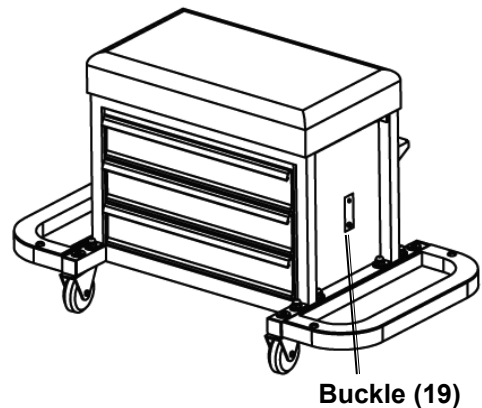


Figure B:

Note: The Side Tray Frames can fold up and be secured to the seat body using the Buckles (19). (See Figure D.)



Buckle (19)

PLEASE READ THE FOLLOWING CAREFULLY

THE MANUFACTURER AND/OR DISTRIBUTOR HAS PROVIDED THE PARTS LIST AND ASSEMBLY DIAGRAM IN THIS DOCUMENT AS A REFERENCE TOOL ONLY. NEITHER THE MANUFACTURER OR DISTRIBUTOR MAKES ANY REPRESENTATION OR WARRANTY OF ANY KIND TO THE BUYER THAT HE OR SHE IS QUALIFIED TO MAKE ANY REPAIRS TO THE PRODUCT, OR THAT HE OR SHE IS QUALIFIED TO REPLACE ANY PARTS OF THE PRODUCT. IN FACT, THE MANUFACTURER AND/OR DISTRIBUTOR EXPRESSLY STATES THAT ALL REPAIRS AND PARTS REPLACEMENTS SHOULD BE UNDERTAKEN BY CERTIFIED AND LICENSED TECHNICIANS, AND NOT BY THE BUYER. THE BUYER ASSUMES ALL RISK AND LIABILITY ARISING OUT OF HIS OR HER REPAIRS TO THE ORIGINAL PRODUCT OR REPLACEMENT PARTS THERETO, OR ARISING OUT OF HIS OR HER INSTALLATION OF REPLACEMENT PARTS THERETO.

Record Serial Number Here:

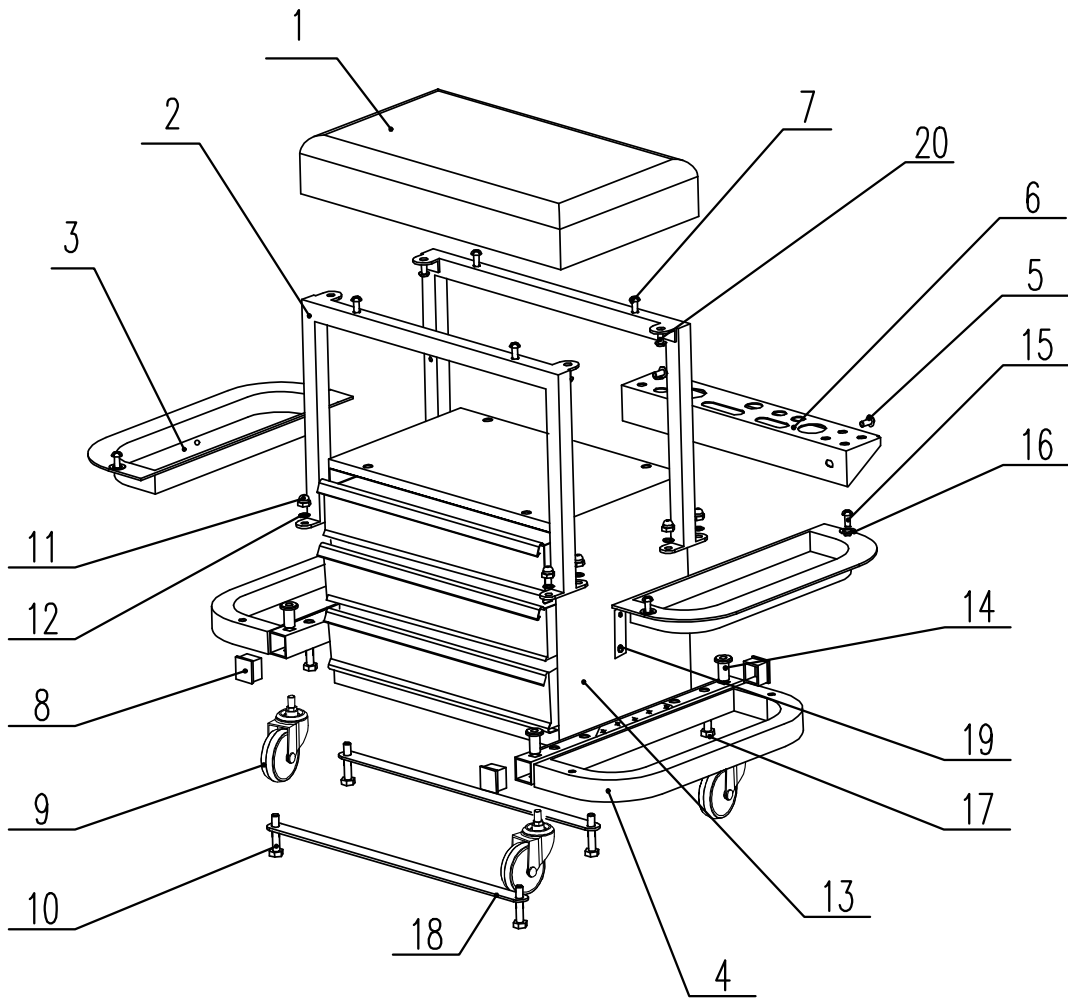
Note: If product has no serial number, record month and year of purchase instead.

Note: Some parts are listed and shown for illustration purposes only, and are not available individually as replacement parts. Specify UPC 792363637626 when ordering parts.

Parts List and Diagram

Part	Description	Qty
1	Stool Pad	1
2	Body Frame	2
3	Side Tray	2
4	Side Tray Frame	2
5	Bolt M6x10	2
6	Tool Holder Shelf	1
7	Bolt M6x30	4
8	Tube Cap	4
9	Caster	4
10	Bolt M8x40	4
11	Nut M8	8

Part	Description	Qty
12	Washer	8
13	Body with 3 Drawers	1
14	Sleeve Nut	4
15	Bolt M8x16	4
16	Washer	4
17	Bolt M8x35	4
18	Support Bar	2
19	Buckle	2
20	Bolt M6x25	4
21	Hex Key (not shown)	1



Limited 90 Day Warranty

Harbor Freight Tools Co. makes every effort to assure that its products meet high quality and durability standards, and warrants to the original purchaser that this product is free from defects in materials and workmanship for the period of 90 days from the date of purchase. This warranty does not apply to damage due directly or indirectly, to misuse, abuse, negligence or accidents, repairs or alterations outside our facilities, criminal activity, improper installation, normal wear and tear, or to lack of maintenance. We shall in no event be liable for death, injuries to persons or property, or for incidental, contingent, special or consequential damages arising from the use of our product. Some states do not allow the exclusion or limitation of incidental or consequential damages, so the above limitation of exclusion may not apply to you. THIS WARRANTY IS EXPRESSLY IN LIEU OF ALL OTHER WARRANTIES, EXPRESS OR IMPLIED, INCLUDING THE WARRANTIES OF MERCHANTABILITY AND FITNESS.

To take advantage of this warranty, the product or part must be returned to us with transportation charges prepaid. Proof of purchase date and an explanation of the complaint must accompany the merchandise. If our inspection verifies the defect, we will either repair or replace the product at our election or we may elect to refund the purchase price if we cannot readily and quickly provide you with a replacement. We will return repaired products at our expense, but if we determine there is no defect, or that the defect resulted from causes not within the scope of our warranty, then you must bear the cost of returning the product.

This warranty gives you specific legal rights and you may also have other rights which vary from state to state.

PITTSBURGH[®] AUTOMOTIVE

26541 Agoura Road • Calabasas, CA 91302 • 1-888-866-5797