

Owner's Manual & Safety Instructions

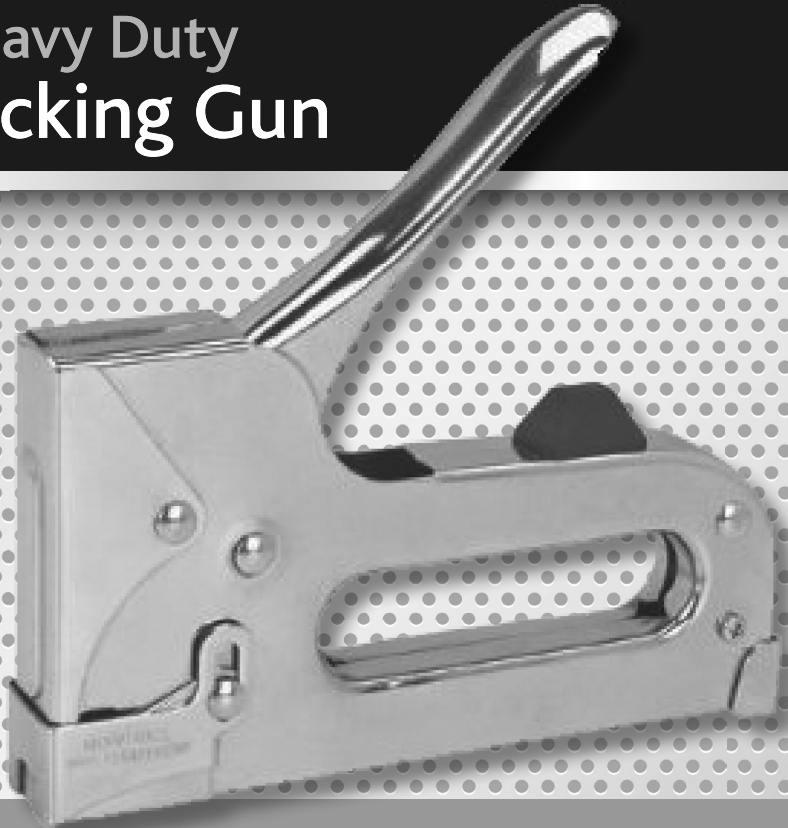
Save This Manual Keep this manual for the safety warnings and precautions, assembly, operating, inspection, maintenance and cleaning procedures. Write the product's serial number in the back of the manual near the assembly diagram (or month and year of purchase if product has no number). Keep this manual and the receipt in a safe and dry place for future reference.

171

63923

FASTENPRO™

Heavy Duty Tacking Gun



Visit our website at: <http://www.harborfreight.com>
Email our technical support at: productsupport@harborfreight.com

When unpacking, make sure that the product is intact and undamaged. If any parts are missing or broken, please call 1-888-866-5797 as soon as possible.

Copyright © 2017 by Harbor Freight Tools®. All rights reserved.
No portion of this manual or any artwork contained herein may be reproduced in any shape or form without the express written consent of Harbor Freight Tools. Diagrams within this manual may not be drawn proportionally. Due to continuing improvements, actual product may differ slightly from the product described herein. Tools required for assembly and service may not be included.

⚠ WARNING

**Read this material before using this product.
Failure to do so can result in serious injury.
SAVE THIS MANUAL.**

Table of Contents

Safety	Maintenance	6
Specifications	Parts List and Diagram	
Setup	Warranty	
Operation		



WARNING SYMBOLS AND DEFINITIONS

	This is the safety alert symbol. It is used to alert you to potential personal injury hazards. Obey all safety messages that follow this symbol to avoid possible injury or death.
	Indicates a hazardous situation which, if not avoided, will result in death or serious injury.
	Indicates a hazardous situation which, if not avoided, could result in death or serious injury.
	Indicates a hazardous situation which, if not avoided, could result in minor or moderate injury.
	Addresses practices not related to personal injury.

IMPORTANT SAFETY INFORMATION

General Tool Safety Warnings

WARNING

Read all safety warnings and instructions.
Failure to follow the warnings and instructions may result in electric shock, fire and/or serious injury.
Save all warnings and instructions for future reference.

Work area safety

- Keep work area clean and well lit.**
Cluttered or dark areas invite accidents.
- Do not operate tools in explosive atmospheres, such as in the presence of flammable liquids, gases or dust.** *Tools may create sparks which may ignite the dust or fumes.*
- Keep children and bystanders away while operating a tool.**
Distractions can cause you to lose control.

Personal safety

1. **Stay alert, watch what you are doing and use common sense when operating a tool. Do not use a tool while you are tired or under the influence of drugs, alcohol or medication.** *A moment of inattention while operating tools may result in serious personal injury.*
2. **Use personal protective equipment. Always wear eye protection.** *Safety equipment such as dust mask, non-skid safety shoes, hard hat, or hearing protection used for appropriate conditions will reduce personal injuries.*
3. **Do not overreach. Keep proper footing and balance at all times.** *This enables better control of the tool in unexpected situations.*
4. **Dress properly. Do not wear loose clothing or jewelry. Keep your hair, clothing and gloves away from moving parts.** *Loose clothes, jewelry or long hair can be caught in moving parts.*
5. **Only use safety equipment that has been approved by an appropriate standards agency.** *Unapproved safety equipment may not provide adequate protection. Eye protection must be ANSI-approved and breathing protection must be NIOSH-approved for the specific hazards in the work area.*

Tool use and care

1. **Do not force the tool. Use the correct tool for your application.** *The correct tool will do the job better and safer at the rate for which it was designed.*
2. **Store tools out of the reach of children and do not allow persons unfamiliar with the tool or these instructions to operate the tool.** *Tools are dangerous in the hands of untrained users.*
3. **Maintain tools. Check for misalignment or binding of moving parts, breakage of parts and any other condition that may affect the tool's operation. If damaged, have the tool repaired before use.** *Many accidents are caused by poorly maintained tools.*
4. **Keep tools clean.** *Properly maintained tools are less likely to bind and are easier to control.*
5. **Use the tool and accessories in accordance with these instructions, taking into account the working conditions and the work to be performed.** *Use of the tool for operations different from those intended could result in a hazardous situation.*
6. **Stay alert. Watch what you are doing, and use common sense when operating the Tacking Gun.**
7. **Use clamps (not included) or other practical ways to secure and support the workpiece to a stable platform.** *Holding the work by hand or against your body is unstable and may lead to loss of control.*
8. **Never aim the Tacking Gun at any person, child or animal.**
9. **Use only accessories that are recommended by the manufacturer for your model.** *Accessories that may be suitable for one product may become hazardous when used on another product.*
10. **Maintain labels and nameplates on the tool.** *These carry important safety information. If unreadable or missing, contact Harbor Freight Tools for a replacement.*
11. **Do not leave the tool unattended when.**
12. **This product is not a toy.** *Keep it out of reach of children.*
13. **The warnings, precautions, and instructions discussed in this instruction manual cannot cover all possible conditions and situations that may occur. It must be understood by the operator that common sense and caution are factors which cannot be built into this product, but must be supplied by the operator.**

Service

1. **Have your tool serviced by a qualified repair person using only identical replacement parts.** *This will ensure that the safety of the tool is maintained.*
2. **When servicing a product, use only identical replacement parts. Follow instructions in the "Maintenance and Servicing" section of this manual. Use of unauthorized parts or failure to follow maintenance instructions may create a risk of electric shock or injury.**



SAVE THESE INSTRUCTIONS.

Specifications

Staple Size Capacity	From 5/32" to 9/16" Long x 7/16" Wide x 3/64" Thick (18 Gauge) Staples
Magazine Capacity	Up To 80 Staples

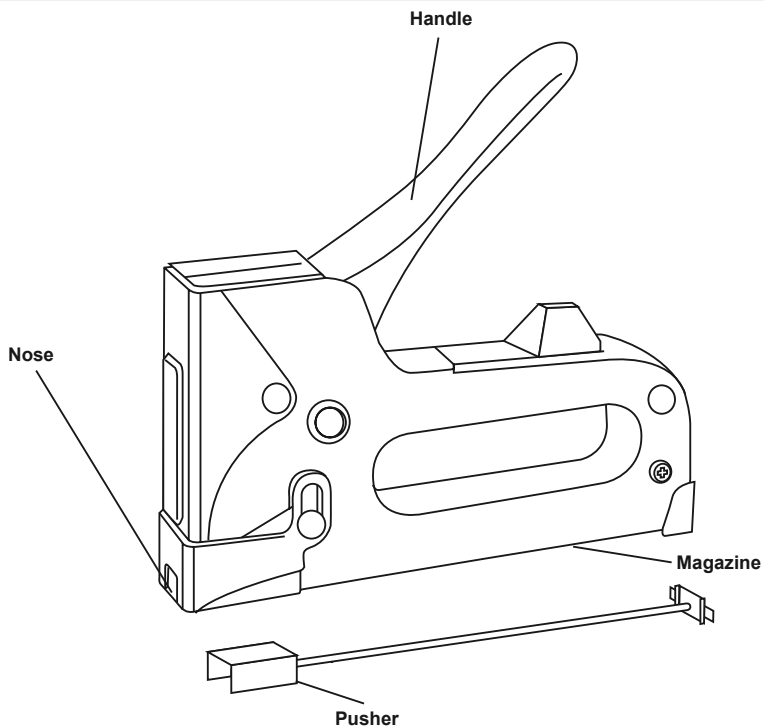
Setup - Before Use:



Read the **ENTIRE IMPORTANT SAFETY INFORMATION** section at the beginning of this manual including all text under subheadings therein before set up or use of this product.

Note: For additional information regarding the parts listed in the following pages, refer to *Parts List and Diagram* on page .

Functions



Operating Instructions



Read the **ENTIRE IMPORTANT SAFETY INFORMATION** section at the beginning of this manual including all text under subheadings therein before set up or use of this product.

Workpiece and Work Area Set Up

1. Designate a work area that is clean and well-lit. The work area must not allow access by children or pets to prevent distraction and injury.
2. Secure loose workpieces using a vise or clamps (not included) to prevent movement while working.
3. There must not be objects, such as utility lines, nearby that will present a hazard while working.

General Operating Instructions

1. To load the Tacking Gun, push the Pusher inward first. Then press downward and pull out the Pusher assembly.
2. Load a strip of Staples into the Magazine.
3. Slide the Pusher in, and push it upward to lock it in place.
4. To use the Tacking Gun, position the nose of the tool against the work surface to which a Staple is to be fired.
5. Hold the Tacking Gun firmly with both hands and squeeze the tool's Handle. Repeat this procedure to finish the work.
6. To clear jammed Staples, turn the Tacking Gun sideways so that the nose of the tool is pointing away from yourself and others.
7. Carefully remove the Pusher and remove all Staples from the Magazine. If necessary, use needle nose pliers to remove a bent Staple from the nose of the tool. Then reload the Magazine with up to 80 Staples, and re-install the Pusher.
8. To prevent accidents, clean, then store the tool indoors out of children's reach.

Maintenance and Servicing



Procedures not specifically explained in this manual must be performed only by a qualified technician.

WARNING

TO PREVENT SERIOUS INJURY FROM TOOL FAILURE:
Do not use damaged equipment. If abnormal noise or vibration occurs, have the problem corrected before further use.

1. **BEFORE EACH USE**, inspect the general condition of the tool. Check for:
 - loose hardware,
 - misalignment or binding of moving parts,
 - cracked or broken parts, and
 - any other condition that may affect its safe operation.
2. **AFTER USE**, wipe external surfaces of the tool with clean cloth.

PLEASE READ THE FOLLOWING CAREFULLY

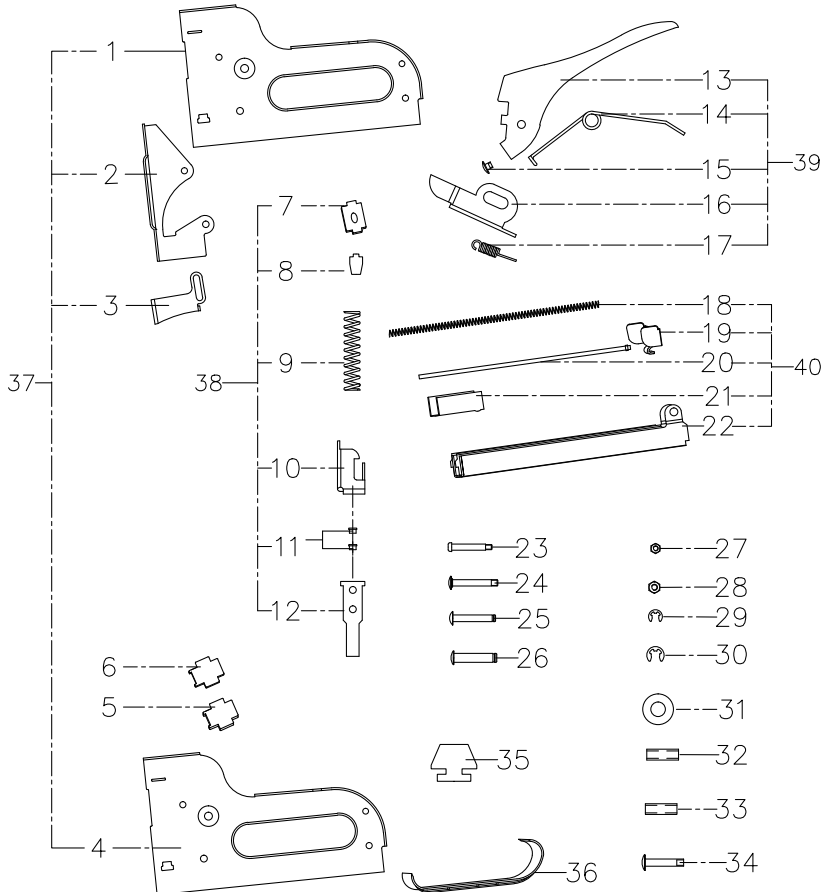
THE MANUFACTURER AND/OR DISTRIBUTOR HAS PROVIDED THE PARTS LIST AND ASSEMBLY DIAGRAM IN THIS MANUAL AS A REFERENCE TOOL ONLY. NEITHER THE MANUFACTURER OR DISTRIBUTOR MAKES ANY REPRESENTATION OR WARRANTY OF ANY KIND TO THE BUYER THAT HE OR SHE IS QUALIFIED TO MAKE ANY REPAIRS TO THE PRODUCT, OR THAT HE OR SHE IS QUALIFIED TO REPLACE ANY PARTS OF THE PRODUCT. IN FACT, THE MANUFACTURER AND/OR DISTRIBUTOR EXPRESSLY STATES THAT ALL REPAIRS AND PARTS REPLACEMENTS SHOULD BE UNDERTAKEN BY CERTIFIED AND LICENSED TECHNICIANS, AND NOT BY THE BUYER. THE BUYER ASSUMES ALL RISK AND LIABILITY ARISING OUT OF HIS OR HER REPAIRS TO THE ORIGINAL PRODUCT OR REPLACEMENT PARTS THERETO, OR ARISING OUT OF HIS OR HER INSTALLATION OF REPLACEMENT PARTS THERETO.

Parts List and Diagram

Part	Description
1	Right Housing
2	Front Cover
3	Nose
4	Left Housing
5	Cushion
6	Shock Absorber
7	Plate
8	Tab
9	Spring
10	Spring Holder
11	Rivet
12	Driver
13	Handle
14	Spring

Part	Description
15	Rivet
16	Separate Button
17	Spring
18	Rail Spring
19	Rail Latch
20	Bar
21	Pusher
22	Rail
23	Bolt
24	Bolt
25	Rivet
26	Rivet
27	Nut
28	Nut

Part	Description
29	Clip
30	Clip
31	Washer
32	Housing Pivot
33	Housing Pivot
34	Rivet
35	Shock Absorber
36	Rubber Cushion
37	Housing
38	Drive Pin Asm.
39	Drive Handle Asm.
40	Rail Asm.



Record Product's Serial Number Here: _____

Note: If product has no serial number, record month and year of purchase instead.

Note: Some parts are listed and shown for illustration purposes only, and are not available individually as replacement parts.

Limited 90 Day Warranty

Harbor Freight Tools Co. makes every effort to assure that its products meet high quality and durability standards, and warrants to the original purchaser that this product is free from defects in materials and workmanship for the period of 90 days from the date of purchase. This warranty does not apply to damage due directly or indirectly, to misuse, abuse, negligence or accidents, repairs or alterations outside our facilities, criminal activity, improper installation, normal wear and tear, or to lack of maintenance. We shall in no event be liable for death, injuries to persons or property, or for incidental, contingent, special or consequential damages arising from the use of our product. Some states do not allow the exclusion or limitation of incidental or consequential damages, so the above limitation of exclusion may not apply to you. THIS WARRANTY IS EXPRESSLY IN LIEU OF ALL OTHER WARRANTIES, EXPRESS OR IMPLIED, INCLUDING THE WARRANTIES OF MERCHANTABILITY AND FITNESS.

To take advantage of this warranty, the product or part must be returned to us with transportation charges prepaid. Proof of purchase date and an explanation of the complaint must accompany the merchandise. If our inspection verifies the defect, we will either repair or replace the product at our election or we may elect to refund the purchase price if we cannot readily and quickly provide you with a replacement. We will return repaired products at our expense, but if we determine there is no defect, or that the defect resulted from causes not within the scope of our warranty, then you must bear the cost of returning the product.

This warranty gives you specific legal rights and you may also have other rights which vary from state to state.

