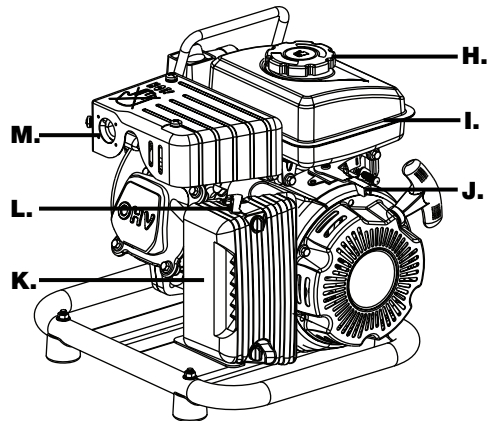
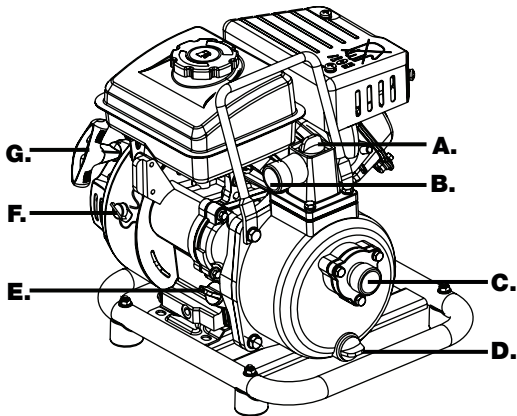


1" Gas Powered Water Pump

Quick Start Guide

- | | | | |
|----------------------------|--------------------------|-------------------------|----------------------|
| A. Priming Cap | E. Oil Dipstick | H. Fuel Tank Cap | K. Air Filter |
| B. Discharge Port | F. Engine Switch | I. Fuel Tank | L. Choke |
| C. Intake Port | G. Starter Handle | J. Throttle | M. Muffler |
| D. Water Drain Plug | | | |

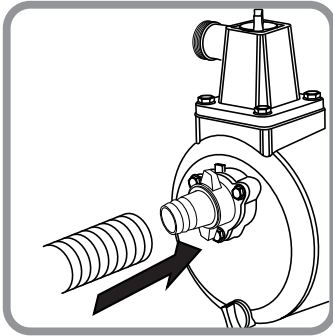


Add Fluids

Check oil and fuel levels.
If needed, add before starting
engine.

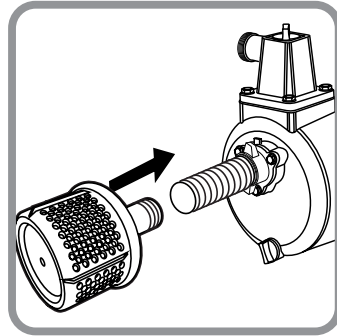
PREDATOR.

Installation

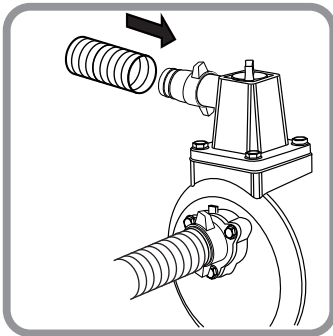


1. Attach intake hose

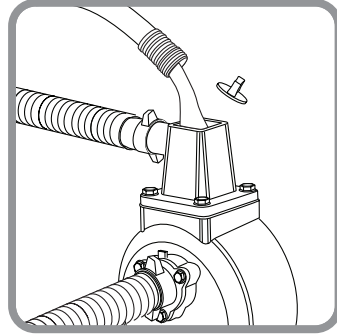
NOTICE:
USE ONLY NON-COLLAPSIBLE HOSE



2. Attach intake strainer



3. Attach discharge hose



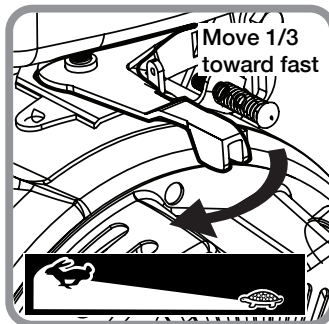
4. Prime. Fill to top with water.
NOTICE: DO NOT RUN DRY

Engine Start

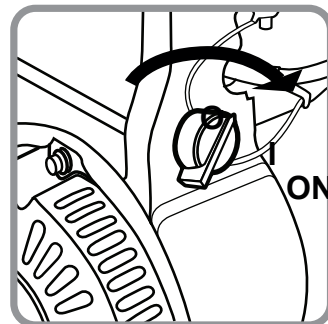
PREDATOR.



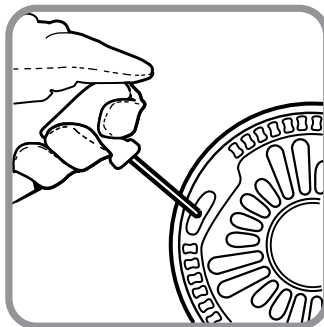
1. Move choke to START



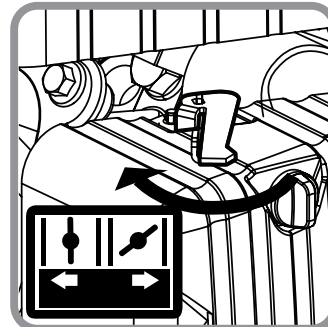
2. Adjust throttle



3. Switch on



4. Pull start handle



5. Slowly move choke to RUN

Note: Use Unleaded 87 Octane gasoline. Engine not designed for E85 Ethanol blend.



**READ AND UNDERSTAND
USER MANUAL BEFORE USE.**

PREDATOR.