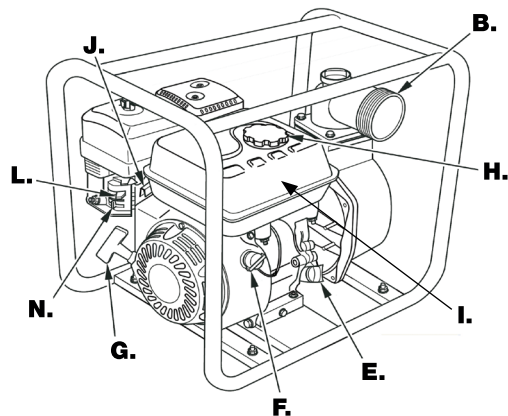
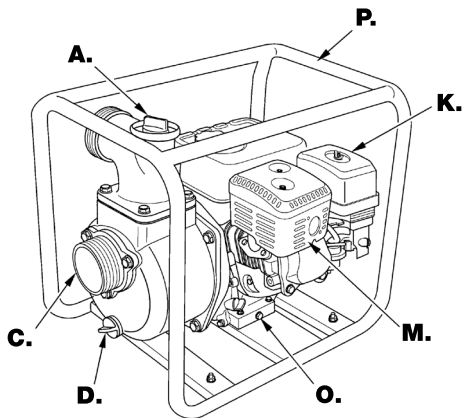


# 2" Gas Powered Water Pump

## Quick Start Guide

- |                            |                          |                      |                      |
|----------------------------|--------------------------|----------------------|----------------------|
| <b>A.</b> Priming Cap      | <b>E.</b> Oil Dipstick   | <b>I.</b> Fuel Tank  | <b>M.</b> Muffler    |
| <b>B.</b> Discharge Port   | <b>F.</b> Engine Switch  | <b>J.</b> Throttle   | <b>N.</b> Fuel Valve |
| <b>C.</b> Intake Port      | <b>G.</b> Starter Handle | <b>K.</b> Air Filter | <b>O.</b> Oil Drain  |
| <b>D.</b> Water Drain Plug | <b>H.</b> Fuel Tank Cap  | <b>L.</b> Choke      | <b>P.</b> Frame      |

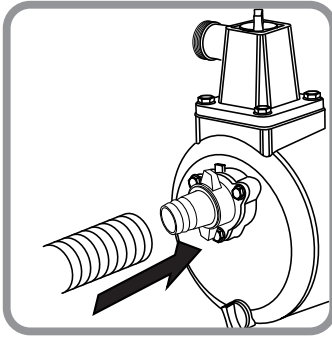


### Add Fluids

Check oil and fuel levels.  
If needed, add before starting engine.

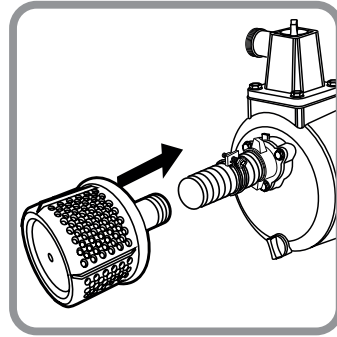
# PREDATOR.

# Installation

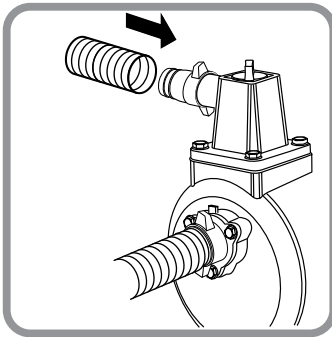


**1. Attach intake hose**

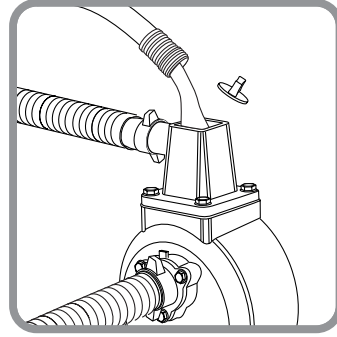
**NOTICE:**  
**USE ONLY NON-COLLAPSIBLE HOSE**



**2. Attach intake strainer**



**3. Attach discharge hose**



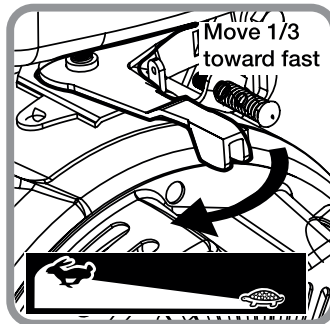
**4. Prime. Fill to top with water.**  
**NOTICE: DO NOT RUN DRY**

# Engine Start

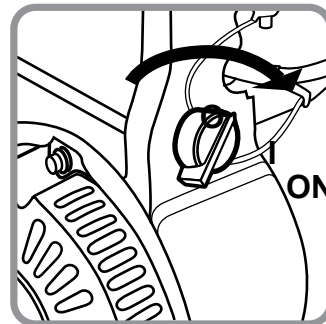
# PREDATOR.



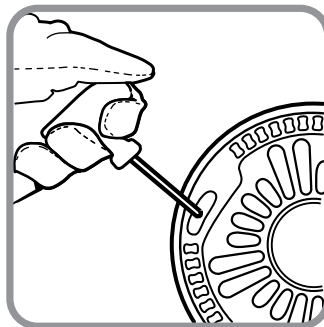
1. Move choke to START



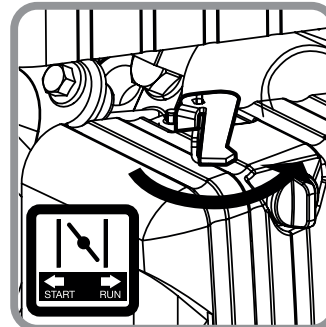
2. Adjust throttle



3. Switch on



4. Pull start handle



5. Slowly move choke to RUN

Note: Use Unleaded 87 Octane gasoline. Engine not designed for E85 Ethanol blend.



READ AND UNDERSTAND  
USER MANUAL BEFORE USE.

**PREDATOR.**