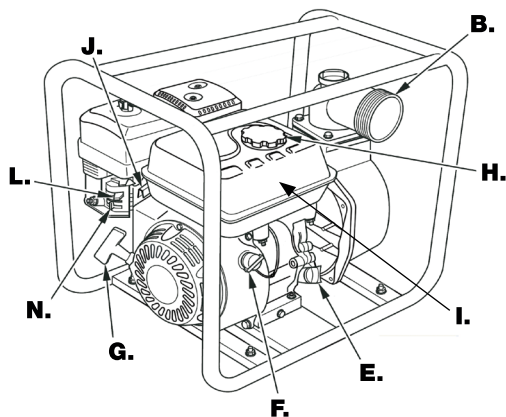
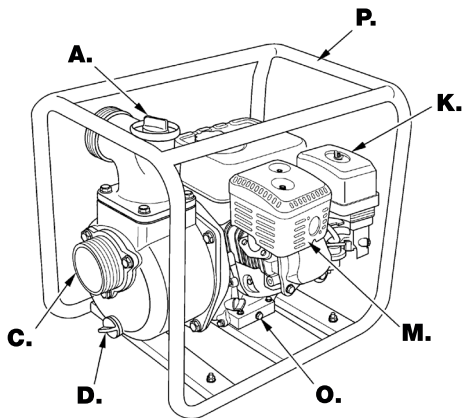


3" Gas Powered Water Pump

Quick Start Guide

- | | | | |
|----------------------------|--------------------------|----------------------|----------------------|
| A. Priming Cap | E. Oil Dipstick | I. Fuel Tank | M. Muffler |
| B. Discharge Port | F. Engine Switch | J. Throttle | N. Fuel Valve |
| C. Intake Port | G. Starter Handle | K. Air Filter | O. Oil Drain |
| D. Water Drain Plug | H. Fuel Tank Cap | L. Choke | P. Frame |

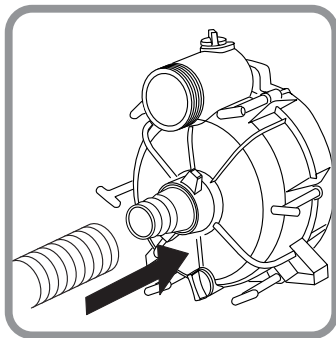


Add Fluids

Check oil and fuel levels.
If needed, add before starting engine.

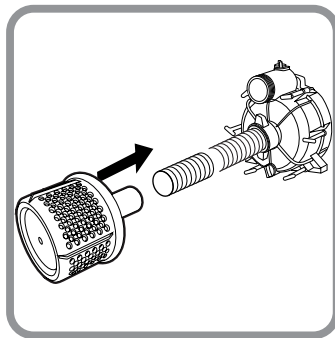
PREDATOR.

Installation

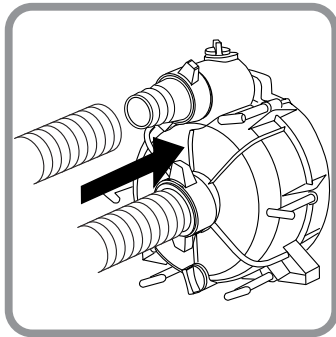


1. Attach intake hose

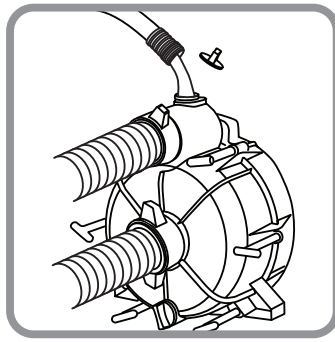
NOTICE:
USE ONLY NON-COLLAPSIBLE HOSE



2. Attach intake strainer



3. Attach discharge hose



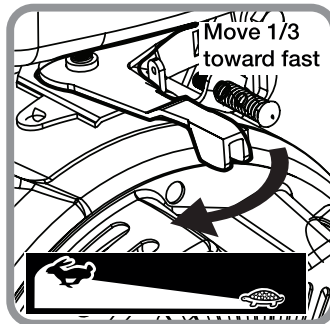
4. Prime. Fill to top with water.
NOTICE: DO NOT RUN DRY

Engine Start

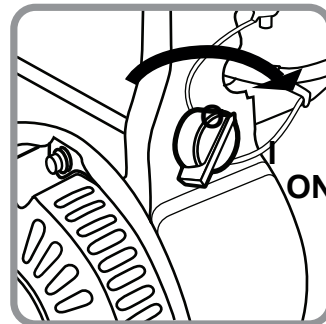
PREDATOR.



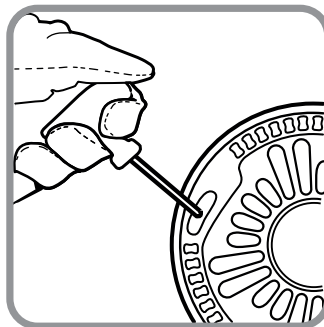
1. Move choke to START



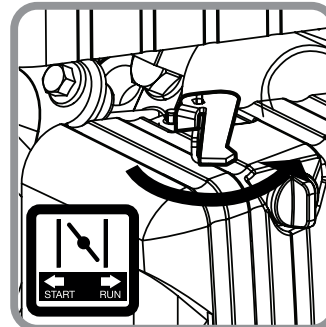
2. Adjust throttle



3. Switch on



4. Pull start handle



5. Slowly move choke to RUN

Note: Use Unleaded 87 Octane gasoline. Engine not designed for E85 Ethanol blend.



**READ AND UNDERSTAND
USER MANUAL BEFORE USE.**

PREDATOR.