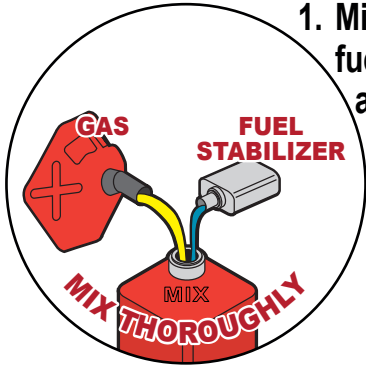


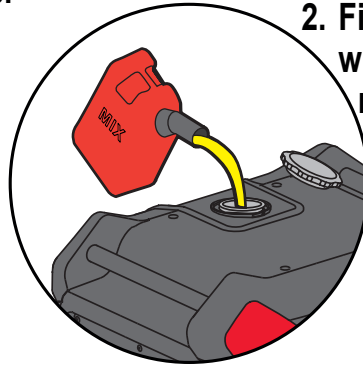
# PREDATOR<sup>®</sup>

## SETUP GUIDE

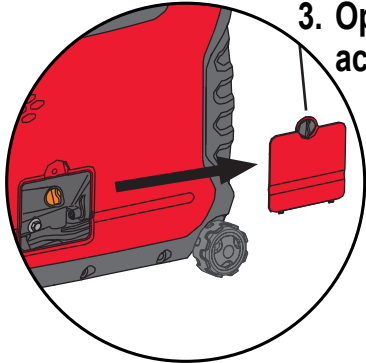
1. Mix gas and fuel stabilizer according to fuel stabilizer's instructions.



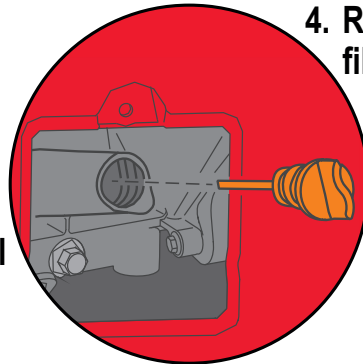
2. Fill gas tank with gas mixture.



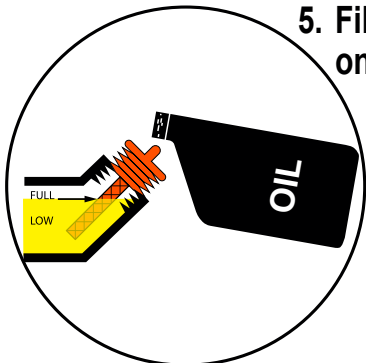
3. Open oil fill access door.



4. Remove oil fill plug.



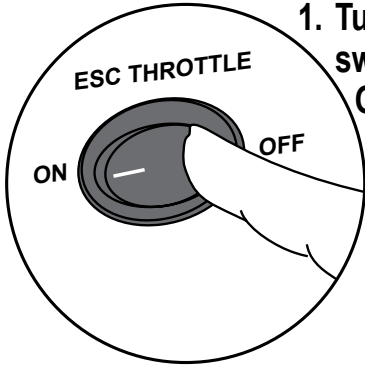
5. Fill to full level on dipstick.



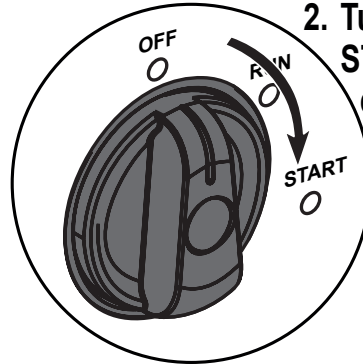
# PREDATOR®

# START GUIDE

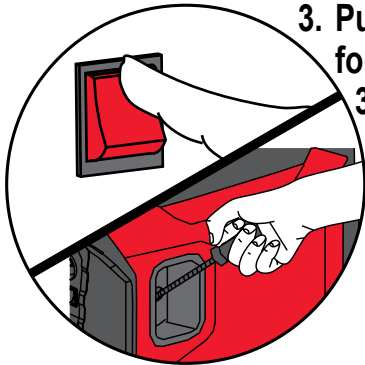
**Check oil level  
and air filter  
before starting!**



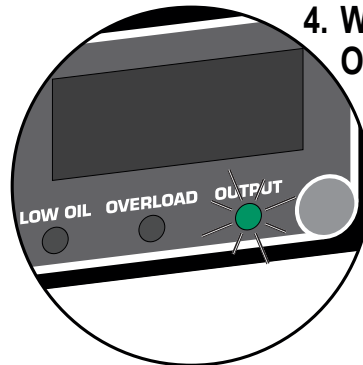
1. Turn economy switch (ESC) OFF.



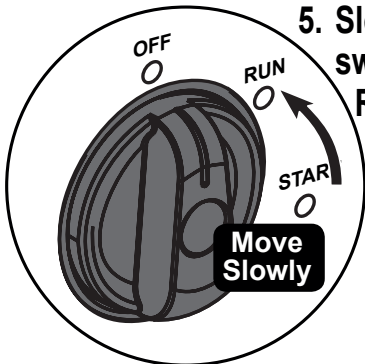
2. Turn switch to **START** for cold engine.  
or  
Turn to **RUN** for warm engine.



3. Push Start for up to 3 seconds.  
or  
Pull starter handle.



4. Wait for **OUTPUT** light.



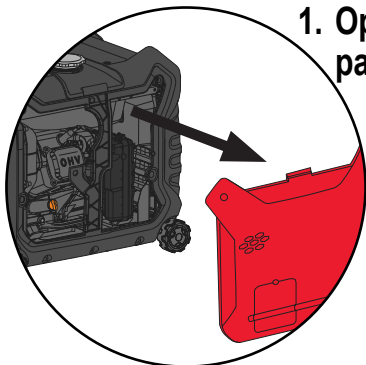
5. Slowly turn switch to **RUN** before attaching loads.

**SAVE THIS GUIDE – DO NOT THROW AWAY!**

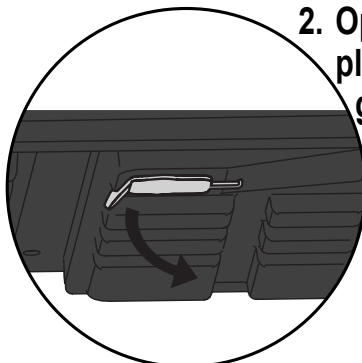
# PREDATOR<sup>®</sup>

## SERVICE GUIDE

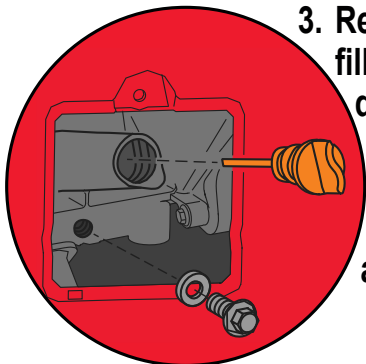
1. Open access panel on side.



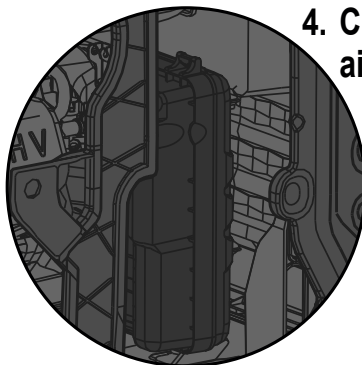
2. Open drain plug under generator.



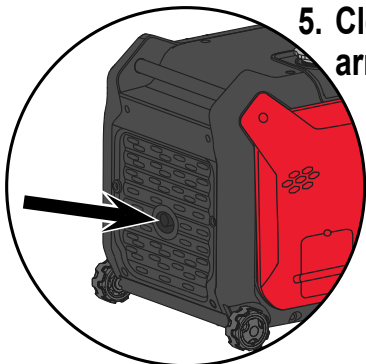
3. Remove fill plug and drain bolt. Drain oil, replace drain bolt, and fill oil.



4. Clean/replace air filter.



5. Clean spark arrestor.



See manual for full maintenance information.

Maintenance Schedule	FREQUENCY		
	3 mo./ 50 hr.	6 mo./ 100 hr.	yearly/ 300 hr.
Clean/replace air filter	✓		
1. Change engine oil		✓	
2. Check and clean spark plug		✓	
3. Check and clean spark arrestor		✓	
1. Check idle speed and valve clearance			✓
2. Clean fuel tank, strainer, and carb.			✓
3. Clean combustion chamber			✓

**SAVE THIS GUIDE – DO NOT THROW AWAY!**