

Owner's Manual & Safety Instructions

Save This Manual Keep this manual for the safety warnings and precautions, assembly, operating, inspection, maintenance and cleaning procedures. Write the product's serial number in the back of the manual near the assembly diagram (or month and year of purchase if product has no number). Keep this manual and the receipt in a safe and dry place for future reference.

20g

UNION[™]
SAFE COMPANY

1.51 CU. FT. ELECTRONIC **SAFE**



Batteries sold separately.

To ensure security of your safe, Union Safe Company does NOT provide replacement keys.

Visit our website at: <http://www.harborfreight.com>
Email our technical support at: productsupport@harborfreight.com

64009

When unpacking, make sure that the product is intact and undamaged. If any parts are missing or broken, please call 1-888-866-5797 as soon as possible.

Copyright© 2018 by Harbor Freight Tools®. All rights reserved.
No portion of this manual or any artwork contained herein may be reproduced in any shape or form without the express written consent of Harbor Freight Tools. Diagrams within this manual may not be drawn proportionally. Due to continuing improvements, actual product may differ slightly from the product described herein.
Tools required for assembly and service may not be included.

⚠ WARNING

Read this material before using this product.
Failure to do so can result in serious injury.
SAVE THIS MANUAL.

Specifications

External Dimensions	14" L x 13" W x 22-3/4" H
Batteries	4 AA (sold separately)

IMPORTANT SAFETY INFORMATION

Installation Precautions

1. Verify that installation surface has no hidden utility lines before drilling or driving screws.
2. Wear ANSI-approved safety goggles during installation.
3. Mount securely before use.
4. Install only according to these instructions. Improper installation can create hazards.
5. Keep installation area clean and well lit.
6. Keep bystanders out of the area during installation.
7. Do not install when tired or when under the influence of alcohol, drugs or medication.
8. Use an assistant when moving safe.
9. Only install Safe on a stable, level, clean and dry vertical or horizontal surface that is capable of supporting the weight of Safe and its contents.

Use Precautions

1. **Unload gun completely, including chamber, before storing.**
2. **Lock up guns and ammunition separately out of children's reach and out of sight.**
3. **Even when stored in gun safe, use gun-lock to disable gun.**
4. **Separate gun safe keys from other keys.**
5. **Leaving gun unsecured may result in criminal charges.**
6. **Do not allow children to play with or near safe. Keep keys and codes away from children.**
7. **Keep closed and locked whenever unattended. RISK OF CHILD ENTRAPMENT AND SUFFOCATION. Check inside before closing. Do not allow children to play with or near safe. Keep keys and codes away from children.**
8. Keep clear of door when closing.
9. Do not mix old and new batteries. Do not mix alkaline, standard (carbon-zinc), or rechargeable (nickel-cadmium) batteries. Position batteries in proper polarity. Do not use swollen or leaking batteries.
10. Use as intended only.
11. Inspect before every use; do not use if parts are loose or damaged.
12. Maintain product labels and nameplates. These carry important safety information. If unreadable or missing, contact Harbor Freight Tools for a replacement.
13. Do not store Keys inside of the Safe. **Place the keys in a secure location outside of the safe.**
14. The warnings, cautions, and instructions discussed in this instruction manual cannot cover all possible conditions and situations that may occur. It must be understood by the operator that common sense and caution are factors which cannot be built into this product, but must be supplied by the operator.
15. The Safe is not fireproof.

NOTE: Harbor Freight Tools is not responsible for the loss of any property stored within this safe due to theft, fire, or any other circumstance.

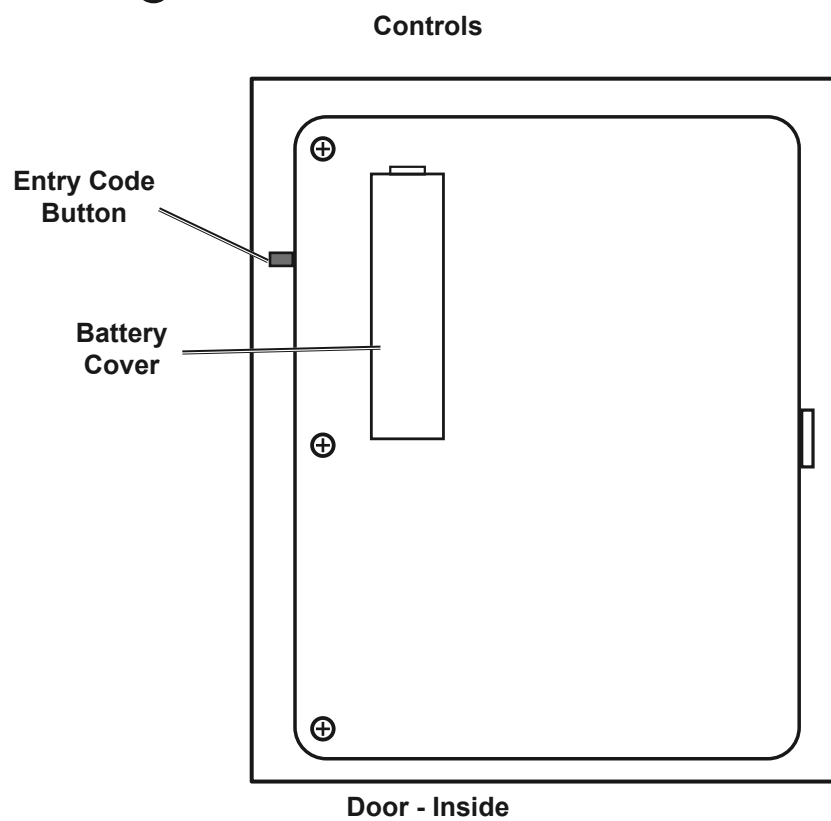
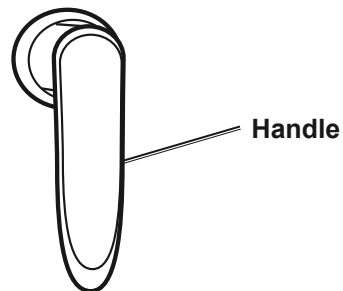
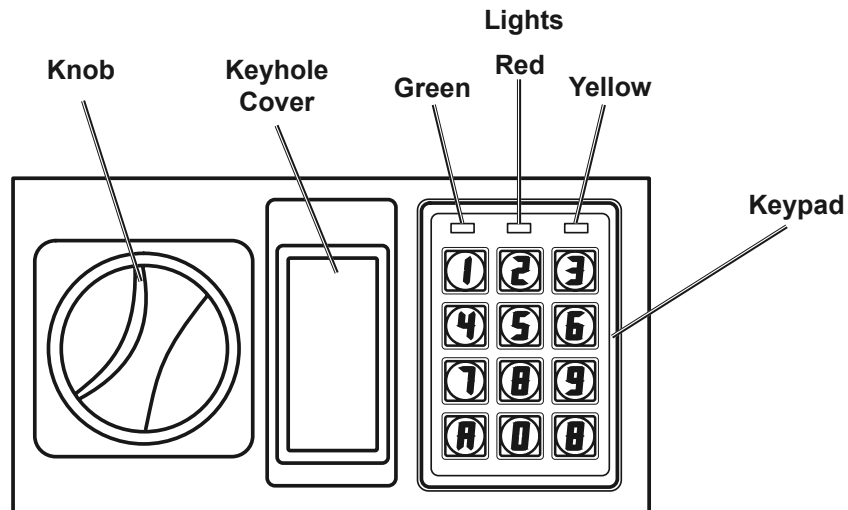


Set-up and Operation



Read the entire Important Safety Information section at the beginning of this document including all text under subheadings therein before set up or use of this product.

Functions



Set-up and Operation

Note: Set up and test Safe before Installation.

Open Safe with Key

Note: Do not store Keys inside Safe. Opening with Key may be necessary when replacing batteries or if Entry Code is forgotten.

Store Keys in secure place outside of Safe.

1. Remove Keyhole Cover.

2. Insert Key and turn counterclockwise.

3. Turn Knob clockwise, then turn Handle clockwise and open Door.

4. Remove Key and replace Keyhole Cover.

Install/Replace Batteries

1. Remove Battery Cover.

2. Install batteries (sold separately). Do not mix old and new batteries. Do not mix alkaline, standard (carbon-zinc), or rechargeable (nickel-cadmium) batteries. Position batteries in proper polarity. Do not use swollen or leaking batteries.

3. Replace Battery Cover.

Leave door open until Entry Code is set.

Note: Red light will illuminate when batteries need to be replaced. Dispose of used batteries according to local regulations.

Set/Reset Master and User Entry Codes

Note: Leave door open while setting Entry Codes. Write down Entry Codes and store in secure place outside of safe.

1. Set/Reset Master Code:

- Press 00 on Keypad, then press and hold Entry Code Button until Safe beeps and Yellow Light illuminates.
- Within 15 seconds, enter an Entry Code up to 8 digits on Keypad, followed by either A or B.
 - Code has been accepted when the Yellow light turns off and the safe beeps one time.
 - Code has not been accepted if Yellow light flashes three times and the safe beeps.

2. Set/Reset User Code:

- Press and hold Entry Code Button until Safe beeps and Yellow Light illuminates.
- Within 15 seconds, enter an Entry Code up to 8 digits on Keypad, followed by either A or B.
 - Code has been accepted when the Yellow light turns off and the safe beeps one time.
 - Code has not been accepted if Yellow light flashes three times and the safe beeps.

Lock Safe

WARNING

**Keep closed and locked whenever unattended.
Check inside before closing.
Do not allow children to play with or near safe.
Keep keys and codes away from children.**

Close Door, turn Handle counterclockwise.
then turn Knob counterclockwise.

Open Safe with Entry Code

1. Enter Entry Code (Master or User). Safe will beep twice and Green light will illuminate.

2. Turn Knob clockwise, then turn Handle clockwise and open Door.

Note: Safe will automatically lock if not opened within a few seconds of accepting Entry Code.

Note: Keypad will beep and disable for 20 seconds if Entry Code is entered incorrectly three times in a row.

Keypad will beep and disable for 5 minutes if Entry Code is entered incorrectly three more times in a row. To stop beeping, open safe with Key, then remove a battery.

Installation



Read the entire Important Safety Information section at the beginning of this document including all text under subheadings therein before set up or use of this product.

Safe can be mounted to floor, against wall or on wheels.

Installing to Floor or Against Wall

WARNING! TO PREVENT SERIOUS INJURY:

Verify that installation surface has no hidden utility lines before drilling or driving screws.

1. Only install Safe on a stable, level, clean and dry surface capable of supporting the weight of Safe and its contents.
2. Remove liner from Safe.
3. Locate mounting holes on bottom of Safe for floor installation.

Note: Wheels should not be installed if mounting to the floor.

4. Locate mounting holes on back of Safe for installation against wall.
5. Using the Safe as a template, mark locations of mounting holes on mounting surface.
6. Secure Safe with fasteners appropriate for the mounting surface, which are rated to support the weight of the Safe and its contents.
7. Replace liner.

Installing Wheels

1. Empty, close and lock Safe.
2. Tip Safe on its side.
3. Install four Wheels using Axles, Washers, and Cotter Pins according to **Figure A**.
4. Return Safe to upright position.
5. Move empty Safe to desired location.

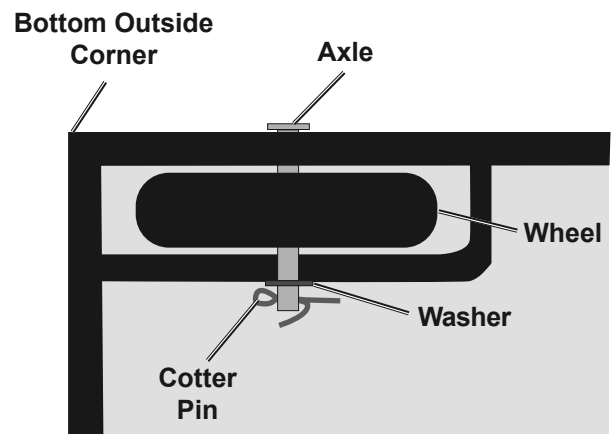


Figure A



Maintenance

1. Protect Safe from moist or wet conditions. Moisture may cause electronic damage in the keypad or corrosion of the steel.
2. Occasionally wipe the safe and keypad clean with a soft dry cloth or brush.
3. Do not get any oil or other liquids on or near the electronic mechanism.
4. If key lock sticks, use graphite lubricant, such as pencil lead. Rub pencil lead over Key, then insert Key and turn back and forth. Repeat until lock moves freely.

Record Serial Number Here: _____

Note: If product has no serial number, record month and year of purchase instead.

Note: Replacement parts are not available for this item. Reference UPC 193175418715.

Limited 90 Day Warranty

Harbor Freight Tools Co. makes every effort to assure that its products meet high quality and durability standards, and warrants to the original purchaser that this product is free from defects in materials and workmanship for the period of 90 days from the date of purchase. This warranty does not apply to damage due directly or indirectly, to misuse, abuse, negligence or accidents, repairs or alterations outside our facilities, criminal activity, improper installation, normal wear and tear, or to lack of maintenance. We shall in no event be liable for death, injuries to persons or property, or for incidental, contingent, special or consequential damages arising from the use of our product. Some states do not allow the exclusion or limitation of incidental or consequential damages, so the above limitation of exclusion may not apply to you. THIS WARRANTY IS EXPRESSLY IN LIEU OF ALL OTHER WARRANTIES, EXPRESS OR IMPLIED, INCLUDING THE WARRANTIES OF MERCHANTABILITY AND FITNESS.

To take advantage of this warranty, the product or part must be returned to us with transportation charges prepaid. Proof of purchase date and an explanation of the complaint must accompany the merchandise. If our inspection verifies the defect, we will either repair or replace the product at our election or we may elect to refund the purchase price if we cannot readily and quickly provide you with a replacement. We will return repaired products at our expense, but if we determine there is no defect, or that the defect resulted from causes not within the scope of our warranty, then you must bear the cost of returning the product.

This warranty gives you specific legal rights and you may also have other rights which vary from state to state.



26541 Agoura Road • Calabasas, CA 91302 • 1-888-866-5797