

Owner's Manual & Safety Instructions

Save This Manual Keep this manual for the safety warnings and precautions, assembly, operating, inspection, maintenance and cleaning procedures. Write the product's serial number in the back of the manual (or month and year of purchase if product has no number). Keep this manual and the receipt in a safe and dry place for future reference.

22g

ARMSTRONG™

17" - 42" SWIVEL/TILT TV WALL MOUNT



Visit our website at: <http://www.harborfreight.com>
Email our technical support at: productsupport@harborfreight.com

64238

When unpacking, make sure that the product is intact and undamaged. If any parts are missing or broken, please call 1-888-866-5797 as soon as possible.

Copyright© 2021 by Harbor Freight Tools®. All rights reserved.
No portion of this manual or any artwork contained herein may be reproduced in any shape or form without the express written consent of Harbor Freight Tools. Diagrams within this manual may not be drawn proportionally. Due to continuing improvements, actual product may differ slightly from the product described herein. Tools required for assembly and service may not be included.

⚠WARNING






Read this material before using this product. Failure to do so can result in serious injury. **SAVE THIS MANUAL.**

Table of Contents

Safety	2	Parts List.....	7
Specifications	3	Warranty	8
Installation	3		

SAFETY

WARNING SYMBOLS AND DEFINITIONS

	This is the safety alert symbol. It is used to alert you to potential personal injury hazards. Obey all safety messages that follow this symbol to avoid possible injury or death.
	Indicates a hazardous situation which, if not avoided, will result in death or serious injury.
	Indicates a hazardous situation which, if not avoided, could result in death or serious injury.
	Indicates a hazardous situation which, if not avoided, could result in minor or moderate injury.
	Addresses practices not related to personal injury.

INSTALLATION

IMPORTANT SAFETY INFORMATION

Failure to heed these warnings may result in personal injury and/or property damage:

1. Do not exceed listed weight capacity. **Be aware of dynamic loading!** Sudden load movement may briefly create excess load causing product failure.
2. Do not mount to hollow wall, gypsum board, or similar material that will not support the weight of the TV. Mount only to structurally-sound 2" x 4" or larger wood stud or concrete walls that can safely support combined weight of TV Mount, TV and all attached hardware and components.
3. Verify that mounting surface has no hidden utility lines before drilling or driving screws.
4. Wear ANSI-approved safety goggles and heavy-duty work gloves during installation.
5. Inspect before installing; do not mount to wall if parts are missing, loose or damaged.
6. Assemble and install only according to these instructions. Improper assembly and installation can create hazards and lead to personal injury and property damage.
7. Keep installation area clean and well lit.
8. Do not assemble or install when tired or when under the influence of drugs or medication.
9. Weight capacity and other product capabilities apply to properly and completely assembled product only.
10. Use as intended only. Use to mount VESA compliant TV to vertical wall only. Do not mount overhead or to non-vertical surface.
11. This product is not a toy. Do not allow children to play with or near this item.
12. Maintain product labels and nameplates. These carry important safety information. If unreadable or missing, contact Harbor Freight Tools for a replacement.
13. The warnings, precautions, and instructions discussed in this instruction manual cannot cover all possible conditions and situations that may occur. It must be understood by the operator that common sense and caution are factors which cannot be built into this product, but must be supplied by the operator.
14. **Carefully read TV instructions before installation. Harbor Freight Tools is not responsible for damage caused by failure to follow TV mounting instructions, improper installation, or improper/loose hardware.**

PARTS LIST



SAVE THESE INSTRUCTIONS.

Specifications

Weight Capacity	66 lb
TV Size Range	About 17" to 42" diagonal
VESA Compliance (in mm)	75 x 75 100 x 100 200 x 200

Installation Instructions



Read the **ENTIRE IMPORTANT SAFETY INFORMATION** section at the beginning of this manual including all text under subheadings therein before set up or use of this product.

CAUTION

TO PREVENT INJURY: THIS BRACKET IS INTENDED FOR USE WITH A PRODUCT WEIGHING NOT MORE THAN 66 POUNDS AND HAVING DIMENSIONS THAT WILL PERMIT IT TO MOUNT EVENLY ON THIS BRACKET. (SEE INSTRUCTIONS.) USE WITH OTHER PRODUCTS MAY RESULT IN THE COLLAPSE OF THE MOUNT AND ITS ACCESSORIES CAUSING POSSIBLE INJURY.

Mount Wall Mount

Wood Studs

1. Verify wood studs are at least 2"x 4" in size.
Use a stud finder (sold separately) to find stud and mark its location.

WARNING! TO PREVENT SERIOUS INJURY:

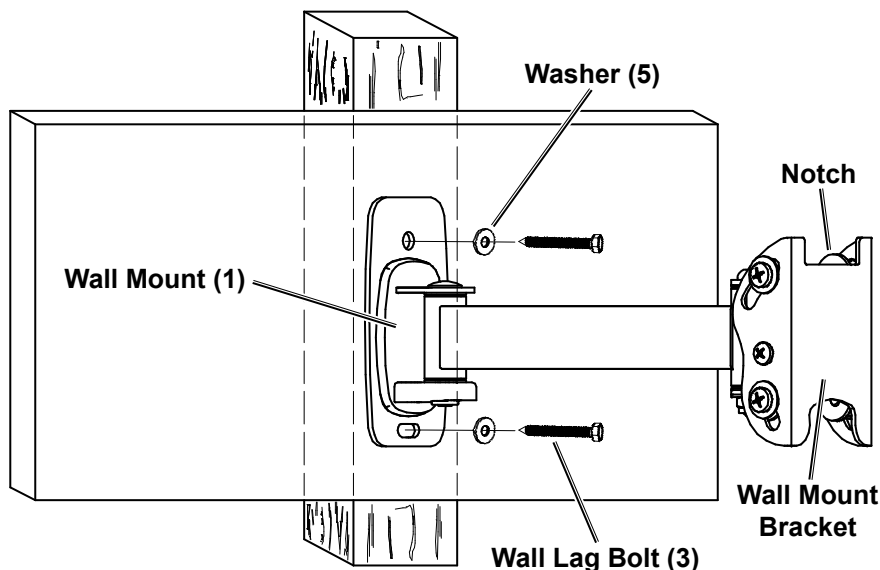
Verify that mounting surface has no hidden utility lines before drilling or driving screws.

2. Set Wall Mount (1) against wall at desired height.
Place a level (sold separately) on top of Wall Mount, adjust until level. Mark locations of mounting holes.

3. Drill two 1/8" holes 2-3/8" deep into stud at marked locations.

CAUTION! Only mount Wall Mount to wood studs.
Do not mount Wall Mount to drywall or plaster.

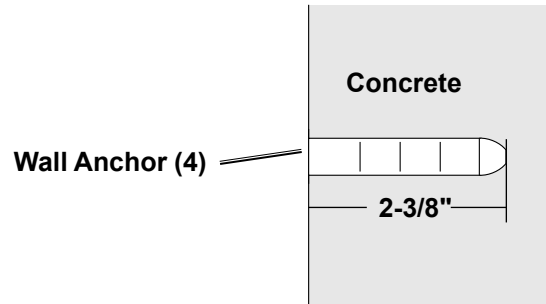
4. Use two Wall Lag Bolts (3) and two D6x18 Washers (5) to mount Wall Mount to wood stud. Make sure the rectangular notch in the Wall Mount Bracket is at the top. Use a level to adjust the Wall Mount until it is completely level before final tightening of the Lag Bolts.



Concrete

SAFETY

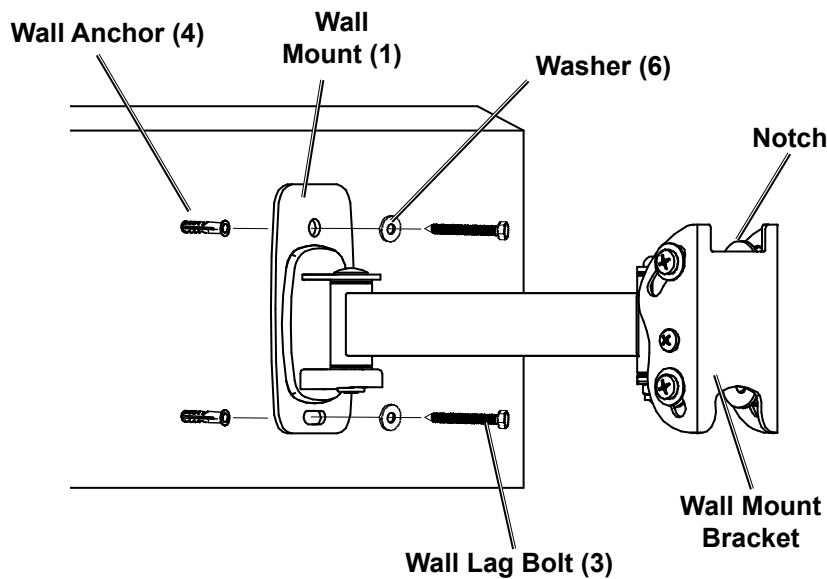
1. Set Wall Mount (1) against wall at desired height. Place a level (sold separately) on top of Wall Mount, adjust until level. Mark locations of mounting holes.
2. Using a 5/16" carbide tip masonry bit, drill two holes 2-3/8" deep at marked locations.
3. Insert Wall Anchors (4) into holes, making sure they are flush with wall surface.



CAUTION! Wall anchors must be set firmly into concrete.

4. Use two Wall Lag Bolts (3) and two D6x12 Washers (6) to mount Wall Mount (1) to wall. Make sure the rectangular notch in the Wall Mount Bracket is at the top. Use a level (sold separately) to adjust the Wall Mount until it is completely level before final tightening of the Lag Bolts.

INSTALLATION



PARTS LIST

ARMSTRONG

Mount TV Plate to TV

WARNING! TO PREVENT SERIOUS INJURY: To reduce risk of electric shock, unplug TV before threading bolts into TV's back panel.

NOTICE: Consult TV owner's manual before attaching this Mount. Harbor Freight Tools is not responsible for damage caused by failure to follow TV mounting instructions, improper installation, or improper/loose hardware.

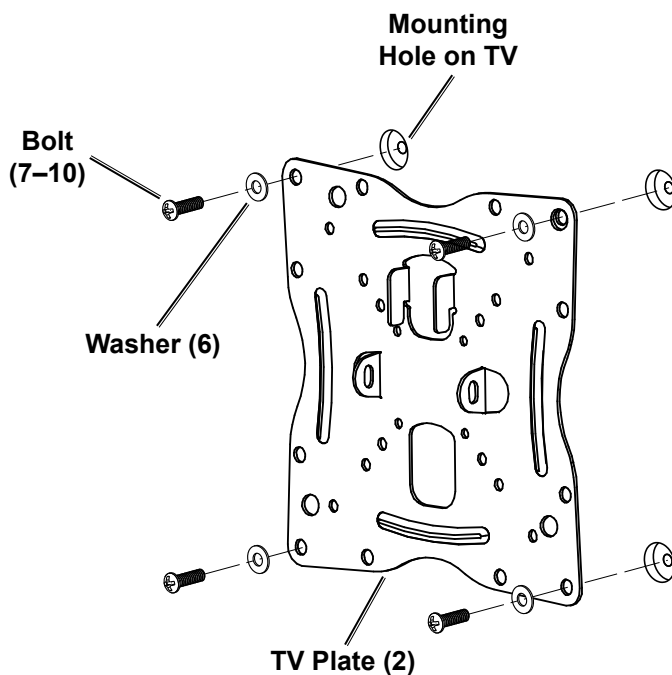
1. Cover TV screen with a towel or other soft material and tilt it against the wall or another solid surface.
Do not lay TV face down.
2. Consult TV Owner's Manual to determine TV's VESA mounting pattern and hardware requirements.
3. Mounting Hardware:
 - a. Use mounting hardware that came with the TV, or
 - b. If the TV did not come with mounting hardware, select from included Bolts and Washers (see Parts List on page 7).

WARNING! To prevent serious injury, do not use hardware that does not match the TV's hardware, that is too long or too short, or overtighten the hardware. Doing so may damage the TV, create a shock hazard by electrifying the hardware/mount, and/or cause the TV to fall.

4. Select Mounting Instructions below according to TV's mounting pattern.

Mounting Instructions for VESA 75x75, 100x100, 200x200

Attach TV Plate (2) to Mounting Holes on TV using appropriate Bolts and Washers.

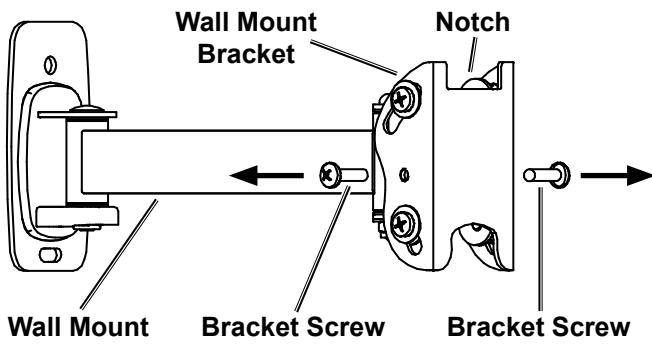


ARMSTRONG

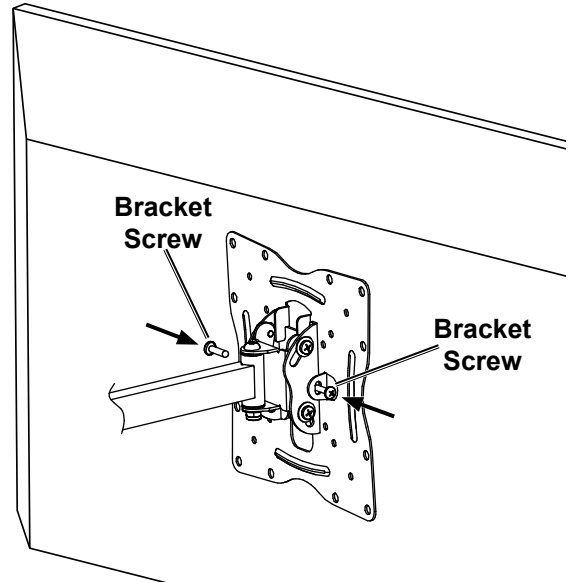
Mount TV to Wall Mount

SAFETY

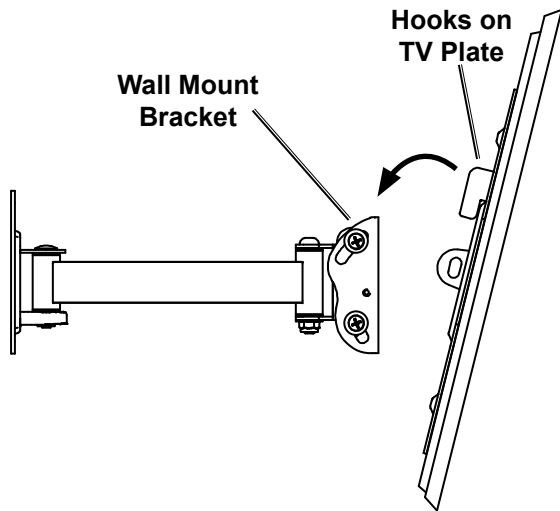
1. Remove the two Bracket Screws from the Wall Mount Bracket on the end of the Wall Mount.



3. Insert the two Bracket Screws removed in Step 1 through the tabs on the TV Plate and into the Wall Mount Bracket. Tighten securely.



2. With assistance, lift TV and lower onto the Wall Mount Bracket, making sure the hooks on the TV Plate fit into the rectangular notch on the top of the Bracket.

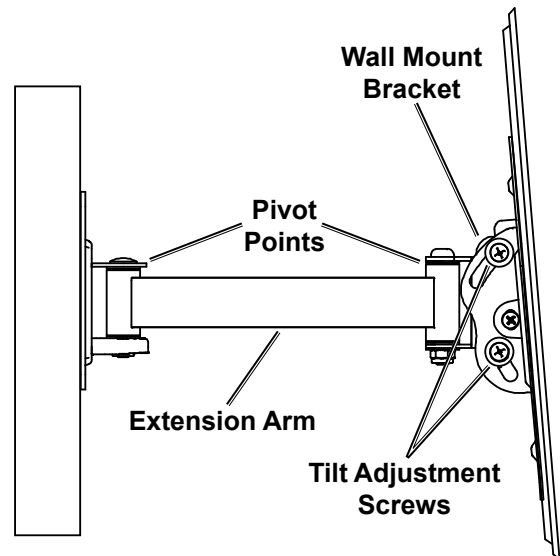


INSTALLATION

Adjustment

1. Adjust tilt if desired:
 - a. Loosen four Tilt Adjustment Screws on Wall Mount Bracket (behind TV Plate, two on each side of Bracket).
 - b. Adjust tilt.
 - c. Tighten Tilt Adjustment Screws securely.
2. To swivel, move the mounted TV to the left or right or side-to-side. The Wall Mount has two pivot points, one at either end of the extension arm.

Note: Gently move the TV when changing its position. Do not force it or press on the screen directly.



PARTS LIST

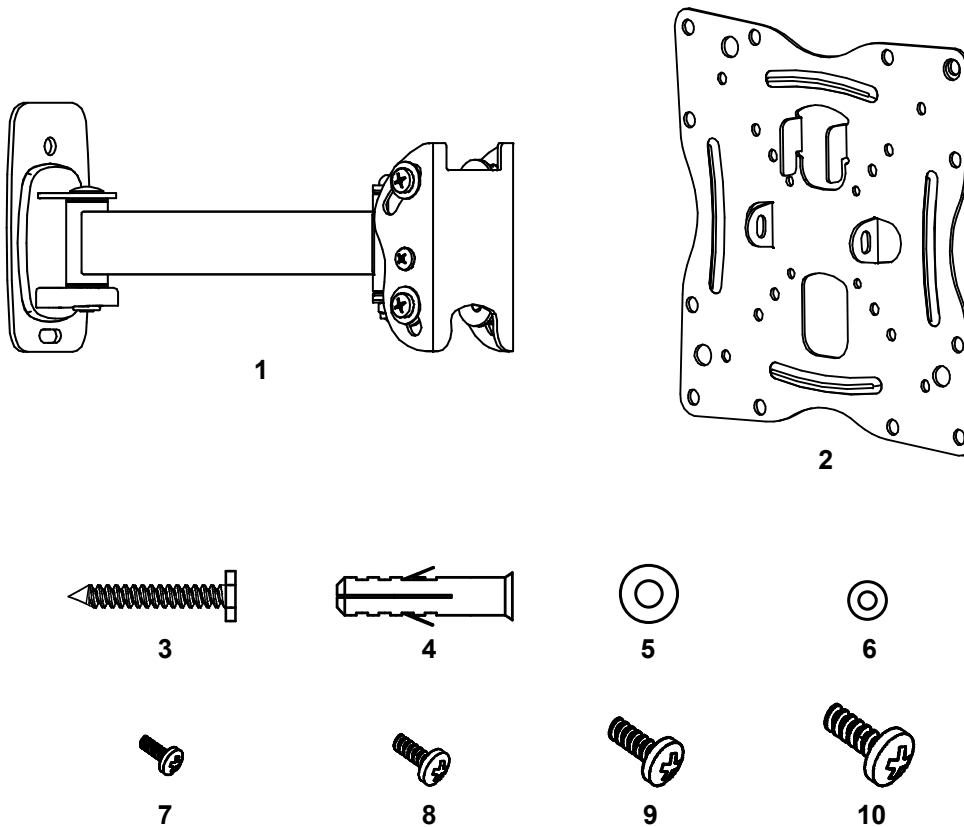
PLEASE READ THE FOLLOWING CAREFULLY

THE MANUFACTURER AND/OR DISTRIBUTOR HAS PROVIDED THE PARTS LIST IN THIS MANUAL AS A REFERENCE TOOL ONLY. NEITHER THE MANUFACTURER OR DISTRIBUTOR MAKES ANY REPRESENTATION OR WARRANTY OF ANY KIND TO THE BUYER THAT HE OR SHE IS QUALIFIED TO MAKE ANY REPAIRS TO THE PRODUCT, OR THAT HE OR SHE IS QUALIFIED TO REPLACE ANY PARTS OF THE PRODUCT. IN FACT, THE MANUFACTURER AND/OR DISTRIBUTOR EXPRESSLY STATES THAT ALL REPAIRS AND PARTS REPLACEMENTS SHOULD BE UNDERTAKEN BY CERTIFIED AND LICENSED TECHNICIANS, AND NOT BY THE BUYER. THE BUYER ASSUMES ALL RISK AND LIABILITY ARISING OUT OF HIS OR HER REPAIRS TO THE ORIGINAL PRODUCT OR REPLACEMENT PARTS THERETO, OR ARISING OUT OF HIS OR HER INSTALLATION OF REPLACEMENT PARTS THERETO.

Parts List

Part	Description	Qty
1	Wall Mount	1
2	TV Plate	1
3	Wall Lag Bolt M6x56	2
4	Wall Anchor M8x40	2
5	Washer D6x18	2

Part	Description	Qty
6	Washer D6x12	4
7	Bolt M4x12	4
8	Bolt M5x12	4
9	Bolt M6x12	4
10	Bolt M8x15	4



Record Product's Serial Number Here: _____

Note: If product has no serial number, record month and year of purchase instead.

Note: Some parts are listed and shown for illustration purposes only, and are not available individually as replacement parts. Specify UPC 792363642385 when ordering parts.

Limited 90 Day Warranty

Harbor Freight Tools Co. makes every effort to assure that its products meet high quality and durability standards, and warrants to the original purchaser that this product is free from defects in materials and workmanship for the period of 90 days from the date of purchase. This warranty does not apply to damage due directly or indirectly, to misuse, abuse, negligence or accidents, repairs or alterations outside our facilities, criminal activity, improper installation, normal wear and tear, or to lack of maintenance. We shall in no event be liable for death, injuries to persons or property, or for incidental, contingent, special or consequential damages arising from the use of our product. Some states do not allow the exclusion or limitation of incidental or consequential damages, so the above limitation of exclusion may not apply to you. THIS WARRANTY IS EXPRESSLY IN LIEU OF ALL OTHER WARRANTIES, EXPRESS OR IMPLIED, INCLUDING THE WARRANTIES OF MERCHANTABILITY AND FITNESS.

To take advantage of this warranty, the product or part must be returned to us with transportation charges prepaid. Proof of purchase date and an explanation of the complaint must accompany the merchandise. If our inspection verifies the defect, we will either repair or replace the product at our election or we may elect to refund the purchase price if we cannot readily and quickly provide you with a replacement. We will return repaired products at our expense, but if we determine there is no defect, or that the defect resulted from causes not within the scope of our warranty, then you must bear the cost of returning the product.

This warranty gives you specific legal rights and you may also have other rights which vary from state to state.

ARMSTRONG™

26677 Agoura Road • Calabasas, CA 91302 • 1-888-866-5797