

Owner's Manual & Safety Instructions

Save This Manual Keep this manual for the safety warnings and precautions, assembly, operating, inspection, maintenance and cleaning procedures. Write the product's serial number in the back of the manual near the assembly diagram (or month and year of purchase if product has no number). Keep this manual and the receipt in a safe and dry place for future reference.

19d

luminar **OUTDOOR™**

64279

3 PIECE LED SUPER BRIGHT SOLAR FLAGPOLE LIGHT



Visit our website at: <http://www.harborfreight.com>
Email our technical support at: productsupport@harborfreight.com

When unpacking, make sure that the product is intact and undamaged. If any parts are missing or broken, please call 1-888-866-5797 as soon as possible.

Copyright© 2018 by Harbor Freight Tools®. All rights reserved.
No portion of this manual or any artwork contained herein may be reproduced in any shape or form without the express written consent of Harbor Freight Tools. Diagrams within this manual may not be drawn proportionally. Due to continuing improvements, actual product may differ slightly from the product described herein.
Tools required for assembly and service may not be included.

⚠WARNING

Read this material before using this product.
Failure to do so can result in serious injury.
SAVE THIS MANUAL.

Important Safety Information

1. Install only according to these instructions. Improper installation can create hazards.
2. Wear ANSI-approved safety goggles and heavy-duty work gloves during installation.
3. Keep installation area clean and well lit.
4. Keep bystanders out of the area during installation.
5. Do not install when tired or when under the influence of alcohol, drugs or medication.
6. Verify Pole Clamps are securely tightened. Do not use if damaged.
7. Do not hang anything from or on light.
8. This product is not a toy. Do not allow children to play with or near this item.
9. Use as intended only.
10. Inspect before every use; do not use if parts are loose or damaged.
11. Maintain product labels and nameplates. These carry important safety information. If unreadable or missing, contact Harbor Freight Tools for a replacement.
12. Li-Ion BATTERY MUST BE RECYCLED OR DISPOSED OF PROPERLY. Do not open crush, heat above 140° F or incinerate.

Specifications

Light Type	LED
Battery Type	Li-Ion 3.2V, 600mAh
Charge Time	6 hr.

Installation Instructions



Read the **ENTIRE IMPORTANT SAFETY INFORMATION** section at the beginning of this document including all text under subheadings therein before set up or use of this product.

1. Loosen screws on the two Clamp Supports and open the Clamps.
 2. Slide the Clamps around the flagpole to the desired height, making sure that the Spotlight faces the flag and the Solar Panel Cover is in direct sunlight.
 3. Tighten the Clamps until the Light is securely fastened to the flagpole.
 4. Loosen the knobs. Adjust the Light and Solar Panel as needed then tighten knobs.
 5. Slide switch on solar panel to ON. The Solar Light is now set to charge the Battery during daylight and automatically turn on at night.
- Note:** During daylight, the Solar Panel converts sunlight into electricity, recharging the battery. The amount of light the Solar Panel receives depends on placement of the Solar Panel, geographic location and weather. If the weather is cloudy and the panel does not fully charge, the Solar Light may not achieve the full run time. It will catch up after two or three days of full sun.

Battery Replacement

Replace the rechargeable battery at least every 12 months.

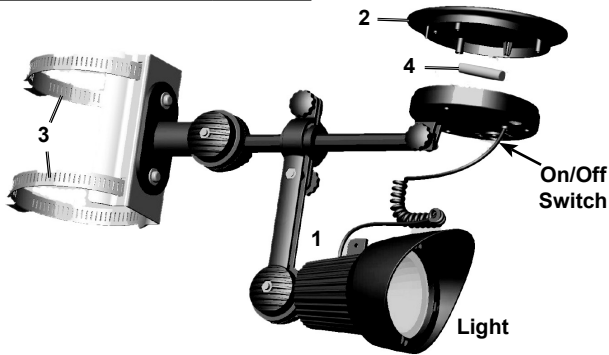
1. Loosen the Clamps and remove the Light from the flagpole.
2. Slide the solar panel switch to OFF.
3. Remove the Solar Panel Cover from the battery housing by removing its screws.
4. Remove and properly recycle old Battery.
5. Install new, Li-Ion Battery, following indicated polarity.
6. Reconnect the Solar Panel Cover to the battery housing using its screws.
7. Reinstall the Light onto the flagpole and slide switch on solar panel to ON.
8. Li-Ion BATTERY MUST BE RECYCLED OR DISPOSED OF PROPERLY. Do not open crush, heat above 140° F or incinerate.

NOTE: Do not pull the wires between the battery housing and the spotlight.

Parts List and Diagram

Part	Description	Qty.
1	Main Assembly	1
2	Solar Panel Cover	1
3	Clamp	2
4	Li-Ion 3.2V, 600mAh Battery	1

Note: Some parts are listed and shown for illustration purposes only, and are not available individually as replacement parts.



Troubleshooting

Problem	Possible Causes	Likely Solutions
Light will not turn on	<ol style="list-style-type: none"> 1. Battery not allowed time for recharging via Solar Panel. 2. Solar Light set too close to nighttime light sources. 3. Solar panel switch is off. 4. Tab not removed from battery. 5. Solar Panel is dirty. 6. Defective battery. 	<ol style="list-style-type: none"> 1. Check that Solar Panel has direct access to sunlight. Allow 6 hours charging time. 2. Move Solar Light or change Solar Panel position. 3. Turn switch on. 4. Remove tab from battery end. 5. Clean Solar Panel with a soft cloth. 6. Replace battery.

PLEASE READ THE FOLLOWING CAREFULLY

THE MANUFACTURER AND/OR DISTRIBUTOR HAS PROVIDED THE PARTS LIST AND INSTALLATION DIAGRAM IN THIS DOCUMENT AS A REFERENCE TOOL ONLY. NEITHER THE MANUFACTURER OR DISTRIBUTOR MAKES ANY REPRESENTATION OR WARRANTY OF ANY KIND TO THE BUYER THAT HE OR SHE IS QUALIFIED TO MAKE ANY REPAIRS TO THE PRODUCT, OR THAT HE OR SHE IS QUALIFIED TO REPLACE ANY PARTS OF THE PRODUCT. IN FACT, THE MANUFACTURER AND/OR DISTRIBUTOR EXPRESSLY STATES THAT ALL REPAIRS AND PARTS REPLACEMENTS SHOULD BE UNDERTAKEN BY CERTIFIED AND LICENSED TECHNICIANS, AND NOT BY THE BUYER. THE BUYER ASSUMES ALL RISK AND LIABILITY ARISING OUT OF HIS OR HER REPAIRS TO THE ORIGINAL PRODUCT OR REPLACEMENT PARTS THERETO, OR ARISING OUT OF HIS OR HER INSTALLATION OF REPLACEMENT PARTS THERETO.

Record Serial Number Here: _____

Note: If product has no serial number, record month and year of purchase instead.

Limited 90 Day Warranty

Harbor Freight Tools Co. makes every effort to assure that its products meet high quality and durability standards, and warrants to the original purchaser that this product is free from defects in materials and workmanship for the period of 90 days from the date of purchase. This warranty does not apply to damage due directly or indirectly, to misuse, abuse, negligence or accidents, repairs or alterations outside our facilities, criminal activity, improper installation, normal wear and tear, or to lack of maintenance. We shall in no event be liable for death, injuries to persons or property, or for incidental, contingent, special or consequential damages arising from the use of our product. Some states do not allow the exclusion or limitation of incidental or consequential damages, so the above limitation of exclusion may not apply to you. THIS WARRANTY IS EXPRESSLY IN LIEU OF ALL OTHER WARRANTIES, EXPRESS OR IMPLIED, INCLUDING THE WARRANTIES OF MERCHANTABILITY AND FITNESS.

To take advantage of this warranty, the product or part must be returned to us with transportation charges prepaid. Proof of purchase date and an explanation of the complaint must accompany the merchandise. If our inspection verifies the defect, we will either repair or replace the product at our election or we may elect to refund the purchase price if we cannot readily and quickly provide you with a replacement. We will return repaired products at our expense, but if we determine there is no defect, or that the defect resulted from causes not within the scope of our warranty, then you must bear the cost of returning the product.

This warranty gives you specific legal rights and you may also have other rights which vary from state to state.

luminar **OUTDOOR**[™]