

Owner's Manual & Safety Instructions

Save This Manual Keep this manual for the safety warnings and precautions, assembly, operating, inspection, maintenance and cleaning procedures. Write the product's serial number in the back of the manual near the assembly diagram (or month and year of purchase if product has no number). Keep this manual and the receipt in a safe and dry place for future reference.

19f

ROADSHOCK[®] LED

8" COMBO SPOT/FLOOD LIGHT BAR



Visit our website at: <http://www.harborfreight.com>
Email our technical support at: productsupport@harborfreight.com

64324

When unpacking, make sure that the product is intact and undamaged. If any parts are missing or broken, please call 1-888-866-5797 as soon as possible.

Copyright © 2018 by Harbor Freight Tools[®]. All rights reserved.
No portion of this manual or any artwork contained herein may be reproduced in any shape or form without the express written consent of Harbor Freight Tools. Diagrams within this manual may not be drawn proportionally. Due to continuing improvements, actual product may differ slightly from the product described herein. Tools required for assembly and service may not be included.

⚠ WARNING

Read this material before using this product.
Failure to do so can result in serious injury.
SAVE THIS MANUAL.

Specifications

Voltage	12/24
Number of Lamps	12
Wattage	23

Important Safety Information

Installation Precautions

1. Install on vehicles that will not be used on public roads only.
2. Install only according to these instructions. Improper installation can create hazards.
3. Wear ANSI-approved safety goggles and heavy-duty work gloves during Installation.
4. Keep installation area clean and well lit.
5. Keep bystanders out of the area during installation.
6. Do not install when tired or when under the influence of drugs or medication.
7. Read all instructions and safety precautions in the vehicle's manual onto which the Light Bar will be installed.
8. Install on negative ground 12/24 VDC systems only.
9. Have a qualified technician install the Light Bar.
10. Keep wiring away from hot surfaces and moving parts.
11. Do not install Light Bar where it could restrict sufficient airflow to the radiator or obstruct the headlights and/or turn signals of vehicle.
12. Do not look directly into lights; doing so can cause eye damage.

Use Precautions

1. This product is not a toy. Do not allow children to play with this item.
2. Use as intended only. Not for marine use. Do not mount underwater.
3. Inspect before every use; do not use if parts are loose or damaged.
4. Do not place lights near anything flammable after being used.
5. To prevent damage, turn lights off before starting or turning off the vehicle.
6. This product may not meet D.O.T. requirements for use on public roads or highways. Follow local, state, and federal regulations.
7. Turn off lights and allow them to cool completely before handling.
8. Maintain product labels and nameplates. These carry important safety information. If unreadable or missing, contact Harbor Freight Tools for a replacement.

Installation Instructions



Read the **ENTIRE IMPORTANT SAFETY INFORMATION** section at the beginning of this document including all text under subheadings therein before set up or use of this product.

Note: Attach side brackets first.

1. Align the hole in the body of the light bar with the hole in the mounting bracket. The foot of the brackets can face either towards or away from the center of the bar.

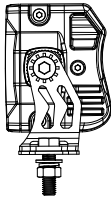


Figure A

2. Using short, wide screw and washer, attach the bracket to the body of the LED bar. Leave slightly loose until the light is properly aimed, then tighten. (See Figure A.)
3. Attach remaining bracket to the other side.
4. Thread long, thin bolts through hole in the bracket feet and through mounting surface, using the included nut to secure fitting.

Note: Mount light bar using the supplied mounting feet, or tube clamps and brackets (sold separately).

Caution: Mount to flat, stable location with adequate clearance. If drilling is required, beware of any hidden electrical lines or cables. Do not damage or weaken the structural integrity of the vehicle.

5. Install the switch (not included) inside the vehicle cabin in a convenient location.

6. Drill or locate a mounting hole for the relay.
7. Secure the relay to the previously drilled hole using a sheet metal screw.

Note: Install relay with terminals facing down and higher than the wiring. This reduces the possibility of water entry.

CAUTION! Waterproof all wiring connections.

8. Ensure that switch and light wire connections to the relay are secure.
9. Attach the red wire to positive battery terminal.
10. Attach the large black wire to the negative battery terminal.

CAUTION! Before connecting wire to a battery, ensure that the switch is at the 'Off' position.

11. Use wire ties to secure the wires to the vehicle and/or bundle the excess harness wire together.
12. Re-attach the vehicle battery cables, positive and negative.
13. Attach Light Bar power cord to Pigtail Connector (7). Make sure connection between DT Plug and power cord is secure.

WARNING! TO PREVENT SERIOUS INJURY AND FIRE: Connect wires with the correct polarity. There is reverse polarity protection built-in to prevent damage if incorrect polarity is used.

Note: Make sure to use proper fuse with Light Bar. See Wiring Kit (64330) for Fuse Chart.

Maintenance



Read the **ENTIRE IMPORTANT SAFETY INFORMATION** section at the beginning of this document including all text under subheadings therein before set up or use of this product.


⚠️ WARNING

TO PREVENT SERIOUS INJURY OR DEATH FROM DRIVING HAZARDS:
Test operation of all lights before every use. Troubleshoot and repair wiring properly before using. Do not use while trailer light operation does not match vehicle light operation, if any lights do not light up, or if any lights flicker. Park on level area away from traffic and set vehicle parking brake/chock tires.

Cleaning, Maintenance, and Lubrication

- BEFORE EACH USE**, inspect the general condition of the tool. Check for:
 - loose hardware,
 - misalignment or binding of moving parts,
 - cracked or broken parts,
 - damaged electrical wiring, and
 - any other condition that may affect its safe operation.
- AFTER USE**, wipe external surfaces of the tool with clean cloth.

Troubleshooting

Problem	Possible Causes
Lights do not light up.	<ol style="list-style-type: none">1. Power switch is not in "On" position ("I").2. Wiring connections are loose.3. Wiring is damaged.4. Wires are not connected according to the correct polarity.
 Follow all safety precautions whenever diagnosing or servicing the lights. Park on level area away from traffic and set vehicle parking brake/chock tires.	

PLEASE READ THE FOLLOWING CAREFULLY

THE MANUFACTURER AND/OR DISTRIBUTOR HAS PROVIDED THE PARTS LIST AND INSTALLATION DIAGRAM IN THIS DOCUMENT AS A REFERENCE TOOL ONLY. NEITHER THE MANUFACTURER OR DISTRIBUTOR MAKES ANY REPRESENTATION OR WARRANTY OF ANY KIND TO THE BUYER THAT HE OR SHE IS QUALIFIED TO MAKE ANY REPAIRS TO THE PRODUCT, OR THAT HE OR SHE IS QUALIFIED TO REPLACE ANY PARTS OF THE PRODUCT. IN FACT, THE MANUFACTURER AND/OR DISTRIBUTOR EXPRESSLY STATES THAT ALL REPAIRS AND PARTS REPLACEMENTS SHOULD BE UNDERTAKEN BY CERTIFIED AND LICENSED TECHNICIANS, AND NOT BY THE BUYER. THE BUYER ASSUMES ALL RISK AND LIABILITY ARISING OUT OF HIS OR HER REPAIRS TO THE ORIGINAL PRODUCT OR REPLACEMENT PARTS THERETO, OR ARISING OUT OF HIS OR HER INSTALLATION OF REPLACEMENT PARTS THERETO.

Record Serial Number Here:

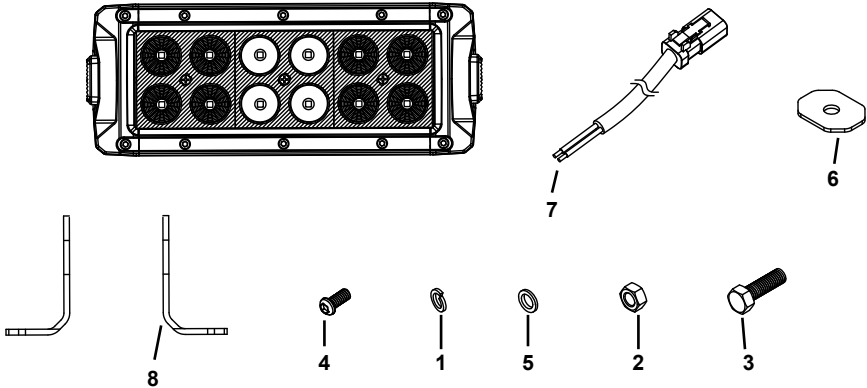
Note: If product has no serial number, record month and year of purchase instead.

Note: Some parts are listed and shown for illustration purposes only, and are not available individually as replacement parts.

Parts List and Diagram

Part	Description	Qty.
1	M8* 2 Spring Washer	4
2	M8* 6 Nut	2
3	M8* 30 Hex Screw	2
4	M8* 14 half-round Head Hex Screw	2

Part	Description	Qty.
5	M8 Flat Washer	2
6	Rubber Pad	2
7	Pigtail Connector	1
8	Side Mount Bracket	2



Limited 90 Day Warranty

Harbor Freight Tools Co. makes every effort to assure that its products meet high quality and durability standards, and warrants to the original purchaser that this product is free from defects in materials and workmanship for the period of 90 days from the date of purchase. This warranty does not apply to damage due directly or indirectly, to misuse, abuse, negligence or accidents, repairs or alterations outside our facilities, criminal activity, improper installation, normal wear and tear, or to lack of maintenance. We shall in no event be liable for death, injuries to persons or property, or for incidental, contingent, special or consequential damages arising from the use of our product. Some states do not allow the exclusion or limitation of incidental or consequential damages, so the above limitation of exclusion may not apply to you. THIS WARRANTY IS EXPRESSLY IN LIEU OF ALL OTHER WARRANTIES, EXPRESS OR IMPLIED, INCLUDING THE WARRANTIES OF MERCHANTABILITY AND FITNESS.

To take advantage of this warranty, the product or part must be returned to us with transportation charges prepaid. Proof of purchase date and an explanation of the complaint must accompany the merchandise. If our inspection verifies the defect, we will either repair or replace the product at our election or we may elect to refund the purchase price if we cannot readily and quickly provide you with a replacement. We will return repaired products at our expense, but if we determine there is no defect, or that the defect resulted from causes not within the scope of our warranty, then you must bear the cost of returning the product.

This warranty gives you specific legal rights and you may also have other rights which vary from state to state.

ROADSHOCK®
LED