

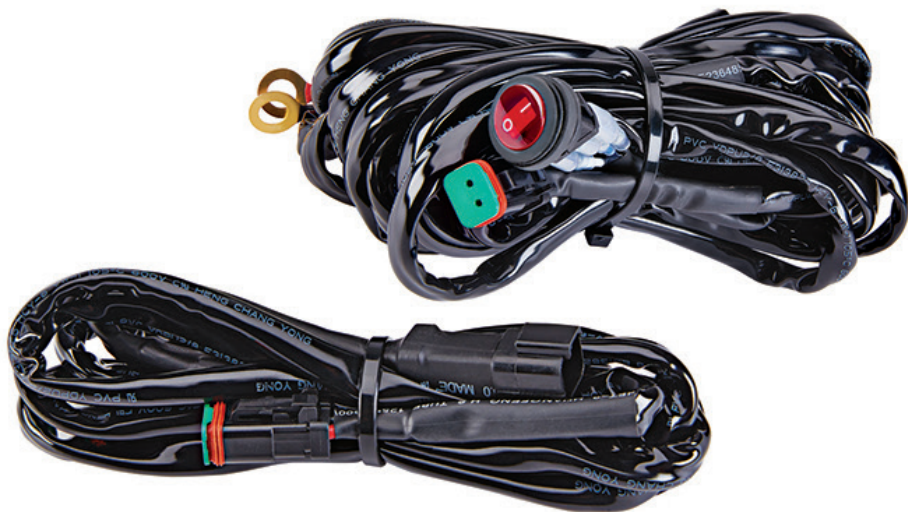
Owner's Manual & Safety Instructions

Save This Manual Keep this manual for the safety warnings and precautions, assembly, operating, inspection, maintenance and cleaning procedures. Write the product's serial number in the back of the manual near the assembly diagram (or month and year of purchase if product has no number). Keep this manual and the receipt in a safe and dry place for future reference.

191

ROADSHOCK[®] LED

LIGHT BAR WIRING KIT



Visit our website at: <http://www.harborfreight.com>
Email our technical support at: productsupport@harborfreight.com

64330

When unpacking, make sure that the product is intact and undamaged. If any parts are missing or broken, please call 1-888-866-5797 as soon as possible.

⚠WARNING

Read this material before using this product. Failure to do so can result in serious injury. SAVE THIS MANUAL.

Copyright © 2018 by Harbor Freight Tools[®]. All rights reserved.
No portion of this manual or any artwork contained herein may be reproduced in any shape or form without the express written consent of Harbor Freight Tools. Diagrams within this manual may not be drawn proportionally. Due to continuing improvements, actual product may differ slightly from the product described herein. Tools required for assembly and service may not be included.

Important Safety Information



Read all instructions. Failure to follow all instructions may result in electric shock, fire, and/or serious injury.

Installation Precautions

1. Install only according to these instructions. Improper installation can create hazards.
2. Wear ANSI-approved safety goggles and heavy-duty work gloves during Installation.
3. Keep installation area clean and well lit.
4. Keep bystanders out of the area during Installation.
5. Do not install when tired or when under the influence of drugs or medication.
6. Read all instructions and safety precautions in the vehicle's manual onto which the Wiring Kit will be installed.
7. Install on negative ground 12VDC or 24VDC systems only.
8. Do not install this product yourself unless you are technically competent to do so. If necessary, have a qualified technician install the Wiring Kit.
9. If the towing vehicle has rear turn signals separated from its stop lights, additional hardware and installation procedures will be needed. Contact a qualified technician for guidance.

Use Precautions

1. This product is not a toy. Do not allow children to play with this item.
2. Use as intended only. Not for marine use. Do not submerge.
3. Inspect before every use; do not use if parts are loose or damaged.
4. Maintain product labels and nameplates. These carry important safety information. If unreadable or missing, contact Harbor Freight Tools for a replacement.

Installation Instructions

⚠ WARNING

Risk of serious personal injury. Turn the vehicle off before assembling or making any changes to the Wiring Kit.

Note: If unsure about any aspect of installation, have the Wiring Kit installed by a professional.

1. Install Switch inside vehicle cabin in a practical location.
2. Drill or locate a hole for the Relay.
3. Secure Relay to the hole using a sheet metal screw (sold separately). Tighten screw.

4. Connect Switch and light wires to the Relay. Make sure all connections are secure.
5. Attach the red wire to positive 12VDC or 24VDC battery terminal.
6. Attach the black wire to negative 12VDC or 24VDC battery terminal.

CAUTION! Before connecting to a battery always make sure the Switch is in 'Off' position.

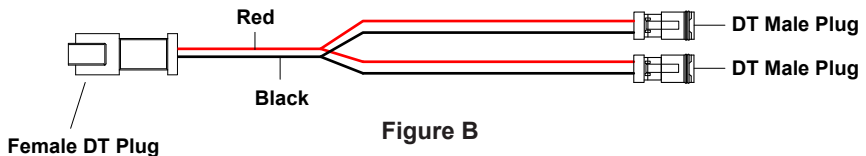
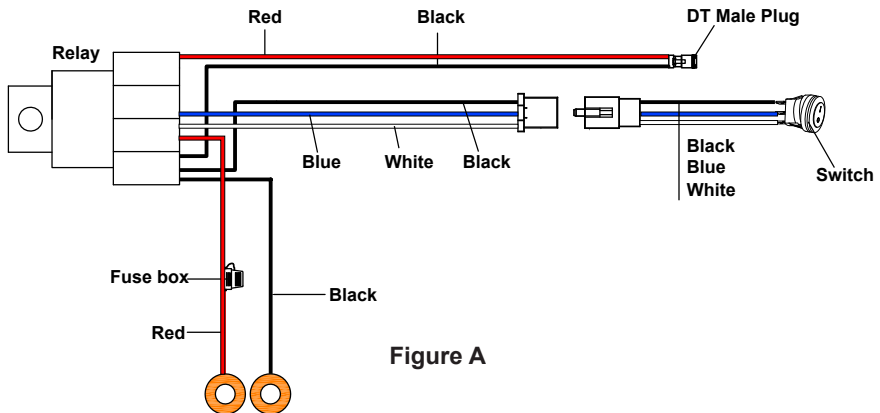
7. Use wire ties to secure wires to the vehicle and bundle excess harness wire together.

8. Re-attach vehicle battery cables, both positive and negative. Attach the ground last.

WARNING! TO PREVENT SERIOUS FIRE AND INJURY: Connect wires with the correct polarity. There is reverse polarity protection built-in to prevent damage if incorrect polarity is used.

Note: See diagram below. Use Wiring Kit to connect to Light Bar (Figure A) and add splitter to connect to Cube Lights (Figure B.)

Wiring Diagram



Note: Consult fuse rating charts on next page for information on correct fuse usage.

Fuse Rating Charts

Individual Light Wattage	One Light Fuse Rating	Two Lights Fuse Rating
Up to 16W	2A (not included)	5A
17 to 24W	3A	7.5A
25 to 50W	7.5A	10A
51 to 95W	10A	Not recommended
96 to 200W	20A (not included)	Not recommended
Max 300W	30A	Not recommended

Figure D: 12V Systems

Individual Light Wattage	One Light Fuse Rating	Two Lights Fuse Rating
Up to 30W	2A (not included)	5A
31 to 50W	3A	7.5A
51 to 100W	7.5A	10A
101 to 200W	10A	Not recommended
Max 300W	30A	Not recommended

Figure E: 24V Systems

Limited 90 Day Warranty

Harbor Freight Tools Co. makes every effort to assure that its products meet high quality and durability standards, and warrants to the original purchaser that this product is free from defects in materials and workmanship for the period of 90 days from the date of purchase. This warranty does not apply to damage due directly or indirectly, to misuse, abuse, negligence or accidents, repairs or alterations outside our facilities, criminal activity, improper installation, normal wear and tear, or to lack of maintenance. We shall in no event be liable for death, injuries to persons or property, or for incidental, contingent, special or consequential damages arising from the use of our product. Some states do not allow the exclusion or limitation of incidental or consequential damages, so the above limitation of exclusion may not apply to you. THIS WARRANTY IS EXPRESSLY IN LIEU OF ALL OTHER WARRANTIES, EXPRESS OR IMPLIED, INCLUDING THE WARRANTIES OF MERCHANTABILITY AND FITNESS.

To take advantage of this warranty, the product or part must be returned to us with transportation charges prepaid. Proof of purchase date and an explanation of the complaint must accompany the merchandise. If our inspection verifies the defect, we will either repair or replace the product at our election or we may elect to refund the purchase price if we cannot readily and quickly provide you with a replacement. We will return repaired products at our expense, but if we determine there is no defect, or that the defect resulted from causes not within the scope of our warranty, then you must bear the cost of returning the product.

This warranty gives you specific legal rights and you may also have other rights which vary from state to state.

ROADSHOCK[®]
LED