

Owner's Manual & Safety Instructions

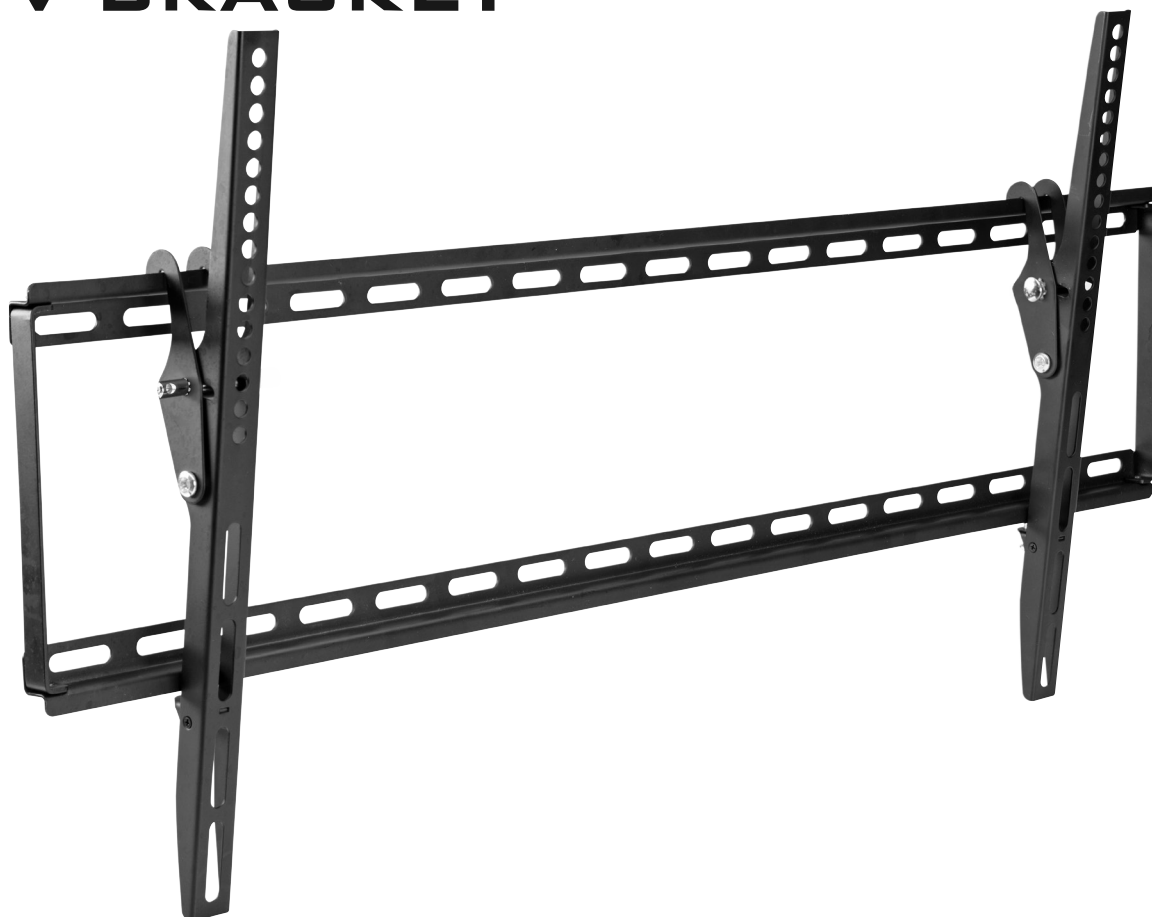
Save This Manual Keep this manual for the safety warnings and precautions, assembly, operating, inspection, maintenance and cleaning procedures. Write the product's serial number in the back of the manual near the assembly diagram (or month and year of purchase if product has no number). Keep this manual and the receipt in a safe and dry place for future reference.

21c

ARMSTRONG™

37" - 70"

LARGE TILT MOUNT FLAT PANEL TV BRACKET



Visit our website at: <http://www.harborfreight.com>
Email our technical support at: productsupport@harborfreight.com

64356

When unpacking, make sure that the product is intact and undamaged. If any parts are missing or broken, please call 1-888-866-5797 as soon as possible.

Copyright© 2020 by Harbor Freight Tools®. All rights reserved.
No portion of this manual or any artwork contained herein may be reproduced in any shape or form without the express written consent of Harbor Freight Tools. Diagrams within this manual may not be drawn proportionally. Due to continuing improvements, actual product may differ slightly from the product described herein. Tools required for assembly and service may not be included.

⚠ WARNING

Read this material before using this product. Failure to do so can result in serious injury. **SAVE THIS MANUAL.**

Table of Contents

Safety	2	Parts List and Diagram	7
Specifications	3	Warranty	8
Installation	4		



SAFETY

INSTALLATION

PARTS LIST

WARNING SYMBOLS AND DEFINITIONS

	This is the safety alert symbol. It is used to alert you to potential personal injury hazards. Obey all safety messages that follow this symbol to avoid possible injury or death.
	Indicates a hazardous situation which, if not avoided, will result in death or serious injury.
	Indicates a hazardous situation which, if not avoided, could result in death or serious injury.
	Indicates a hazardous situation which, if not avoided, could result in minor or moderate injury.
	Addresses practices not related to personal injury.

IMPORTANT SAFETY INFORMATION

Failure to heed these warnings may result in personal injury and/or property damage:

1. Do not exceed listed weight capacity. **Be aware of dynamic loading!** Sudden load movement may briefly create excess load causing product failure.
2. Do not mount Wall Bracket (1) to hollow wall, gypsum board, or similar material that will not support the weight of the TV. Mount only to 2" x 4" wood stud or concrete/brick walls that can safely support combined weight of Wall Bracket, Support Arms, TV and all attached hardware and components.
3. If unsure wall is strong enough to support weight of TV and TV Wall Mount, contact a professional installer to reinforce wall.
4. Do not mount overhead or to a non-vertical surface. Mount parallel to the ground only.
5. Verify that mounting surface has no hidden utility lines before drilling or driving screws.
6. Wear ANSI-approved safety goggles and heavy-duty work gloves during installation.
7. Inspect before installing; do not mount to wall if parts are missing, loose or damaged.
8. Assemble and install only according to these instructions. Improper assembly and installation can create hazards and lead to personal injury and property damage.
9. Keep installation area clean and well lit.
10. Do not assemble or install when tired or when under the influence of drugs or medication.
11. Weight capacity and other product capabilities apply to properly and completely assembled product only.
12. Use as intended only. Do not use TV Wall Mount for any purpose for which it was not designed.
13. This product is not a toy. Do not allow children to play with or near this item.
14. Maintain product labels and nameplates. These carry important safety information. If unreadable or missing, contact Harbor Freight Tools for a replacement.
15. The warnings, precautions, and instructions discussed in this instruction manual cannot cover all possible conditions and situations that may occur. It must be understood by the operator that common sense and caution are factors which cannot be built into this product, but must be supplied by the operator.
16. **Carefully read TV instructions before installation. Harbor Freight Tools is not responsible for damage caused by failure to follow TV mounting instructions, improper installation, or improper/loose hardware.**



SAVE THESE INSTRUCTIONS.

Specifications

Weight Capacity	176 lb
TV Size Range	37" to 70" diagonal
VESA Compliance	200x200mm, 300x200mm 300x300mm, 400x200mm 400x300mm, 400x400mm 600x400mm, 800x400mm

Installation Instructions



Read the **ENTIRE IMPORTANT SAFETY INFORMATION** section at the beginning of this manual including all text under subheadings therein before set up or use of this product.

Note: The following tools (not included) are required for mounting and installation: Stud Finder, Phillips screwdriver, 5/32" drill bit (for drilling into wood stud), 3/8" carbide tip masonry drill bit (for drilling into brick or concrete wall), minimum 6" level, and wrench or socket set.

Attaching to Wood Studs

Note: The installation hardware included with this unit is not suitable for use on steel stud walls. If mounting to a steel stud wall, alternative mounting hardware is required.

1. Verify wood studs are at least 16" apart. Use a Stud Finder (not included) to find two adjacent studs 16" apart. Use a marker to indicate locations of the studs.

WARNING! TO PREVENT SERIOUS INJURY:

Verify that mounting surface has no hidden utility lines before drilling or driving screws.

2. Set Wall Bracket (1) against the wall at the desired height. Place a level over the upper or lower cross bar and adjust Bracket until level. Use a marker to indicate locations of mounting holes.
3. Drill four 5/32" holes at least 2-1/2" deep into the studs at the marked locations.

WARNING! TO PREVENT SERIOUS INJURY: Do not mount Wall Bracket to drywall or plaster. Ensure that mounting holes are located in wood studs.

4. Use four Lag Bolts (14) and Lag Bolt Washers (15) to mount Wall Bracket to wall studs. Center Bracket across mounting locations with mounting holes flush against the wall. Refer to Figure A.

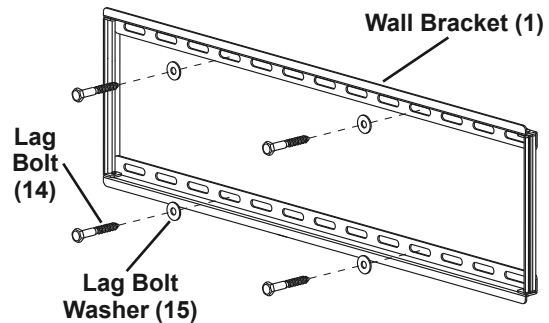


Figure A

Attaching to Brick or Concrete Wall

Note: The installation hardware included with this unit is not suitable for use on cinder block walls. If mounting to a cinder block wall, alternative mounting hardware is required.

1. Set Wall Bracket against the wall at the desired height. Place a level over the upper or lower cross bar and adjust Bracket until level. Use a marker to indicate locations of mounting holes, two in the top row of slots and two in the bottom. Allow at least 6" of space between any two holes.
2. Use a 3/8" carbide tip masonry drill bit and drill four holes at least 2-1/2" deep at the marked locations.
3. Insert the Concrete Wall Anchors (16) into the holes, making sure they are flush with the wall surface.

WARNING! TO PREVENT SERIOUS INJURY:

Concrete Wall Anchors must be set firmly into concrete or masonry. If mounting to a masonry wall covered with drywall/plaster, counter bore a hole through drywall/plaster around mounting hole locations. See Figures B and C.

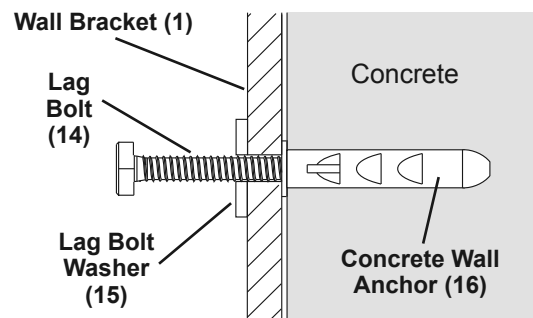


Figure B

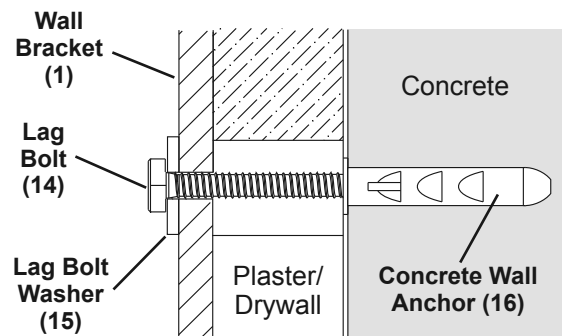


Figure C

- Once Wall Anchors are securely set into concrete, use four Lag Bolts and Lag Bolt Washers to install Wall Bracket to wall. Center Bracket across mounting locations with mounting holes flush against the wall. Refer to Figure D.

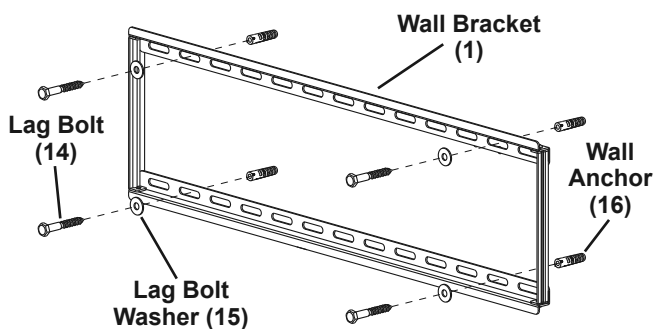


Figure D

Installing Support Arms to Flat Panel TV

Read TV owner's manual before attaching this product. Some TV's will be damaged or cause a risk of electric shock if screws are threaded in too deeply. Harbor Freight Tools is not responsible for damage caused by failure to follow TV mounting instructions, improper installation, or improper/loose hardware.

- Unplug TV before threading any Screw into the TV's back panel.
- Do not lay flat panel TV face down to install Support Arms. Cover TV screen with a towel or other soft material and tilt it against the wall or another solid surface.
- Locate the mounting holes on back of TV and select mounting Screws (3, 4, 5 or 6) that fit properly. If the TV included mounting screws, use those screws instead.
- Thread the Screws through the matching Lock Washers (7, 8, 9 or 10), matching Washers (11 or 12), the Support Arms (2a, 2b), and into the mounting holes in the back of TV panel. Use the Spacers (13) positioned as shown if the bolts are too long or if the back of the TV is not flat. Refer to Figure E.

Note: If none of the Screws supplied are an appropriate size, refer to TV owner's manual or contact TV manufacturer.

- Torque Screws to the specification listed in the TV owner's manual to prevent loosening. Do not overtighten to avoid TV damage.

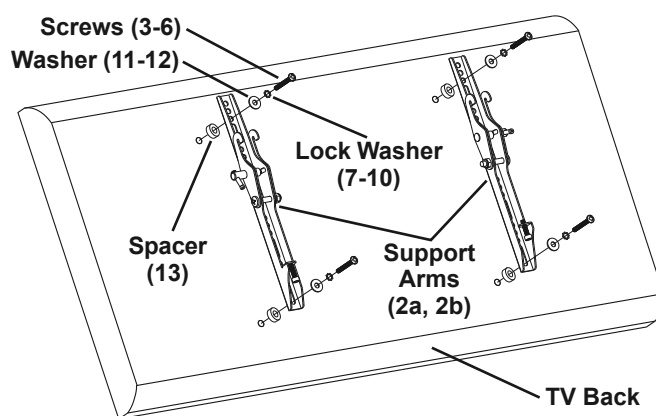


Figure E

Adjusting Flat Panel TV Angle Before Installation

- To adjust the TV angle before mounting to Wall Bracket, loosen the two Angle Adjusting Screws located at the sides of the Support Arms by several turns.
- Tilt the Hook Brackets on the Support Arms to the desired angle (angle is adjustable from 0° to 12°). **Ensure that both Hook Brackets are set at the same angle** and tighten the Angle Adjusting Screws all the way to lock the angle position. Refer to Figure F.

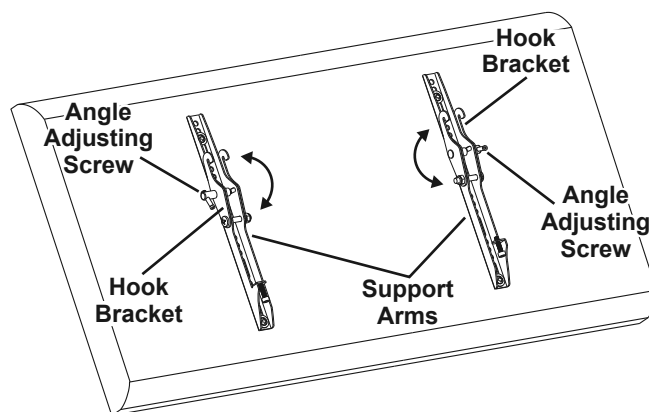


Figure F

Mounting Flat Panel TV to Wall Bracket

SAFETY

WARNING! TO PREVENT SERIOUS INJURY: Some Flat Panel TVs may require two people to lift and support the TV while it is being attached to the Wall Bracket.

1. Carry TV with attached Support Arms to mounted Wall Bracket and lower onto top cross bar, making sure both Hook Brackets on the Support Arms are hooked onto the top of cross bar and that TV is centered. Refer to Figure G.

2. Carefully rotate the TV toward the wall until the Support Arms engage the bottom of the Wall Bracket. Refer to Figure G.
3. Tighten the two Clamping Screws on the bottom of the Support Arms to secure the TV/Support Arm assembly to the Wall Bracket. Refer to Figure H.
4. Carefully make sure that the Support Arms are completely attached to the Wall Bracket, both at their top and bottom, before releasing TV.

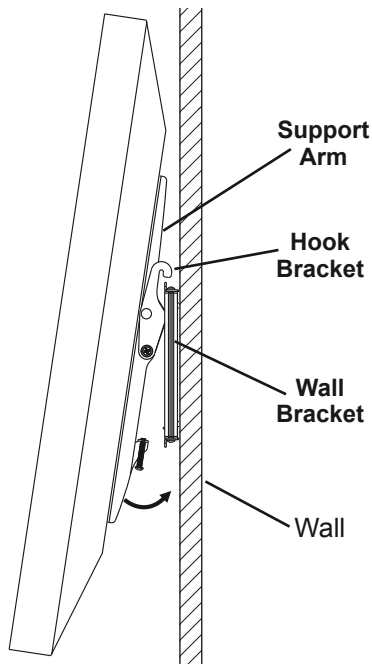


Figure G

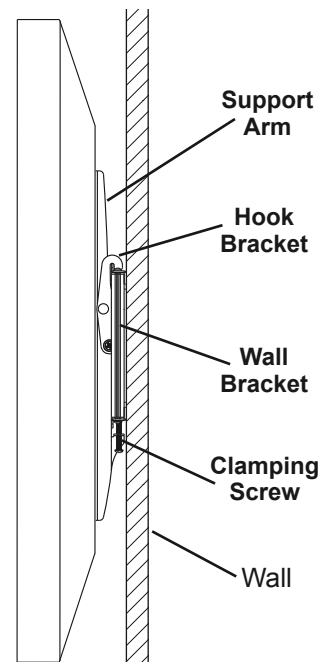


Figure H

INSTALLATION

Adjusting Flat Panel TV Angle When Installed

1. To adjust the angle when the TV is already mounted to Wall Bracket, use the following procedure to remove the TV from the Bracket and adjust the angle:
 - a. Unplug the TV.
 - b. Loosen the two Clamping Screws on the bottom of the Support Arms until the bottom of the TV/Support Arm assembly can be tilted forward to disengage the Wall Bracket.
 - c. Carefully lift the TV/Support Arm assembly up slightly and off of the Wall Bracket. Refer to Figures G and H.

WARNING! TO PREVENT SERIOUS INJURY: Some Flat Panel TVs may require two people to lift and support the TV while it is being removed from the Wall Bracket.

- d. Cover TV screen with a towel or other soft material and tilt it against the wall or another solid surface, then follow steps 1 and 2 in *Adjusting Flat Panel TV Angle Before Installation* section to adjust angle.
- e. Once desired angle is set, remount TV to Wall Bracket following steps 1 through 4 in *Mounting Flat Panel TV to Wall Bracket* section.

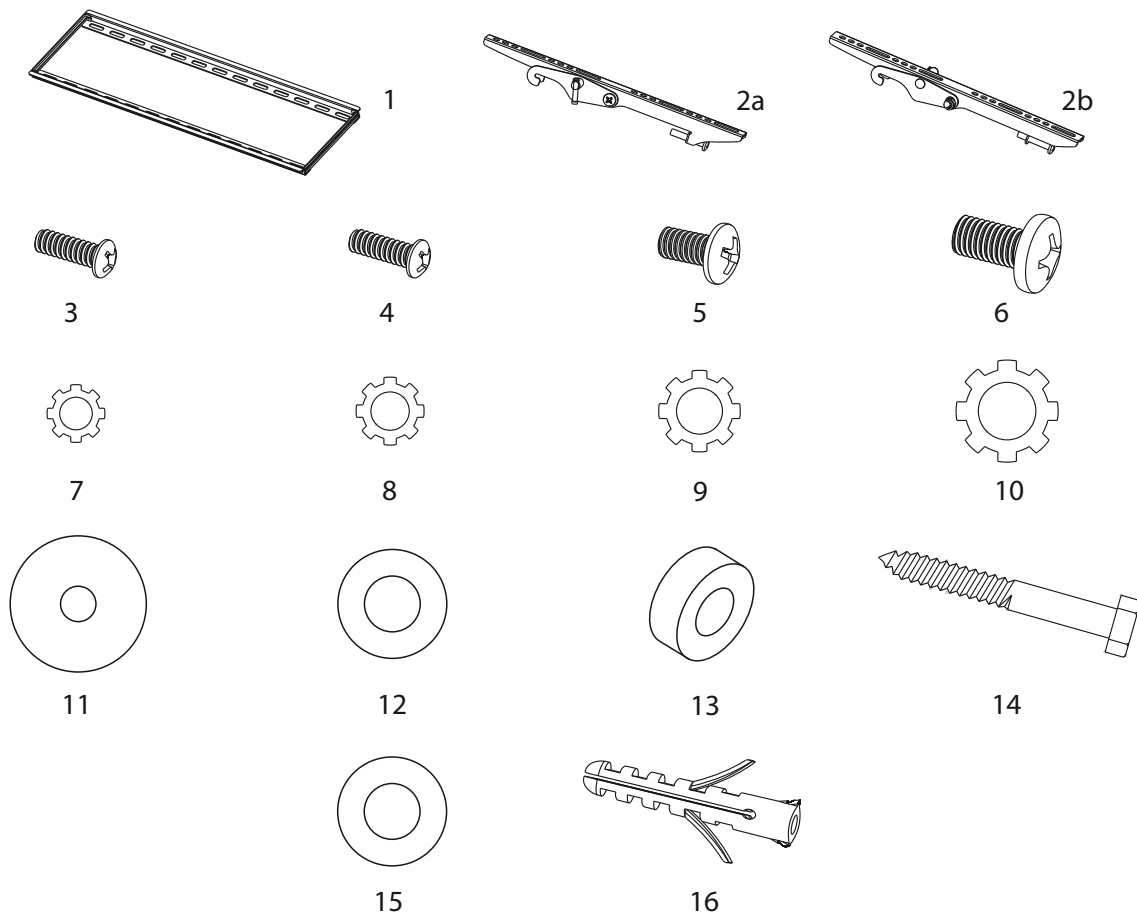
PARTS LIST

PLEASE READ THE FOLLOWING CAREFULLY

THE MANUFACTURER AND/OR DISTRIBUTOR HAS PROVIDED THE PARTS LIST AND ASSEMBLY DIAGRAM IN THIS MANUAL AS A REFERENCE TOOL ONLY. NEITHER THE MANUFACTURER OR DISTRIBUTOR MAKES ANY REPRESENTATION OR WARRANTY OF ANY KIND TO THE BUYER THAT HE OR SHE IS QUALIFIED TO MAKE ANY REPAIRS TO THE PRODUCT, OR THAT HE OR SHE IS QUALIFIED TO REPLACE ANY PARTS OF THE PRODUCT. IN FACT, THE MANUFACTURER AND/OR DISTRIBUTOR EXPRESSLY STATES THAT ALL REPAIRS AND PARTS REPLACEMENTS SHOULD BE UNDERTAKEN BY CERTIFIED AND LICENSED TECHNICIANS, AND NOT BY THE BUYER. THE BUYER ASSUMES ALL RISK AND LIABILITY ARISING OUT OF HIS OR HER REPAIRS TO THE ORIGINAL PRODUCT OR REPLACEMENT PARTS THERETO, OR ARISING OUT OF HIS OR HER INSTALLATION OF REPLACEMENT PARTS THERETO.

Part	Description	Qty
1	Wall Bracket	1
2a	Left Support Arm	1
2b	Right Support Arm	1
3	Screw M4 x 20	4
4	Screw M5 x 20	4
5	Screw M6 x 20	4
6	Screw M8 x 20	4
7	Lock Washer M4	4
8	Lock Washer M5	4

Part	Description	Qty
9	Lock Washer M6	4
10	Lock Washer M8	4
11	Washer M4/M5	4
12	Washer M6/M8	4
13	Spacer	4
14	Lag Bolt	4
15	Lag Bolt Washer	4
16	Concrete Wall Anchor	4



Record Product's Serial Number Here: _____

Note: If product has no serial number, record month and year of purchase instead.

Note: Some parts are listed and shown for illustration purposes only, and are not available individually as replacement parts. Specify UPC 792363643566 when ordering parts.

Limited 90 Day Warranty

Harbor Freight Tools Co. makes every effort to assure that its products meet high quality and durability standards, and warrants to the original purchaser that this product is free from defects in materials and workmanship for the period of 90 days from the date of purchase. This warranty does not apply to damage due directly or indirectly, to misuse, abuse, negligence or accidents, repairs or alterations outside our facilities, criminal activity, improper installation, normal wear and tear, or to lack of maintenance. We shall in no event be liable for death, injuries to persons or property, or for incidental, contingent, special or consequential damages arising from the use of our product. Some states do not allow the exclusion or limitation of incidental or consequential damages, so the above limitation of exclusion may not apply to you. THIS WARRANTY IS EXPRESSLY IN LIEU OF ALL OTHER WARRANTIES, EXPRESS OR IMPLIED, INCLUDING THE WARRANTIES OF MERCHANTABILITY AND FITNESS.

To take advantage of this warranty, the product or part must be returned to us with transportation charges prepaid. Proof of purchase date and an explanation of the complaint must accompany the merchandise. If our inspection verifies the defect, we will either repair or replace the product at our election or we may elect to refund the purchase price if we cannot readily and quickly provide you with a replacement. We will return repaired products at our expense, but if we determine there is no defect, or that the defect resulted from causes not within the scope of our warranty, then you must bear the cost of returning the product.

This warranty gives you specific legal rights and you may also have other rights which vary from state to state.

ARMSTRONG™

26541 Agoura Road • Calabasas, CA 91302 • 1-888-866-5797