

Owner's Manual & Safety Instructions

Save This Manual Keep this manual for the safety warnings and precautions, assembly, operating, inspection, maintenance and cleaning procedures.

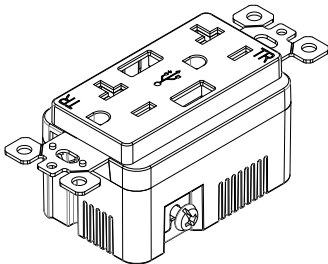
Write the product's serial number in the back of the manual (or month and year of purchase if product has no number).

Keep this manual and the receipt in a safe and dry place for future reference.

18e

ARMSTRONG™

20 AMP 125V USB OUTLET



Visit our website at: <http://www.harborfreight.com>
Email our technical support at: productsupport@harborfreight.com

64424

When unpacking, make sure that the product is intact and undamaged. If any parts are missing or broken, please call 1-888-866-5797 as soon as possible.

Copyright © 2018 by Harbor Freight Tools®. All rights reserved. No portion of this manual or any artwork contained herein may be reproduced in any shape or form without the express written consent of Harbor Freight Tools. Diagrams within this manual may not be drawn proportionally. Due to continuing improvements, actual product may differ slightly from the product described herein. Tools required for assembly and service may not be included.

⚠ WARNING

Read this material before using this product. Failure to do so can result in serious injury. **SAVE THIS MANUAL.**

Specifications

Receptacle Rating	125 VAC, 20 A
USB Output Rating	5 VDC
Wire Terminals	#14 to #12 AWG
Operating Temperature	-4° to 104° F

Important Safety Information



TO PREVENT SERIOUS INJURY AND DEATH FROM ELECTROCUTION:

1. Install and use in accordance with federal, state and local code and regulations.
2. If you are not sure about any part of these instructions, have an electrician install this receptacle.
3. Device is supplied by a single branch circuit.
4. Use with Class 2 connectors with interconnecting cables.
5. All connected Class 2 output cables must be routed away from the receptacle slots or any plug/cord inserted into the receptacle.
6. Class 2 output connections are not intended to support products or appliances.
7. Use this device with copper or copper clad wire only.
8. Wall plate is needed to complete installation but is not provided.
9. Do not use if parts are deformed, loose, or damaged.
10. To reduce the risk of overheating, fire, or explosion, check device compatibility with manufacturer's charging instructions.



SAVE THESE INSTRUCTIONS.

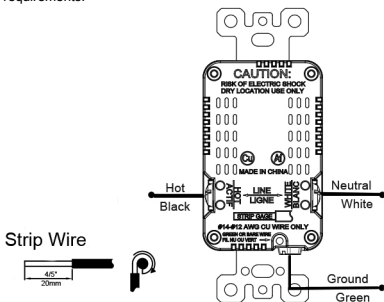
Installation

Note: A wall plate is needed to complete the installation but is not provided.

1. **WARNING! TO PREVENT FIRE, ELECTRIC SHOCK, OR DEATH FROM ELECTROCUTION:** Turn off power at the circuit breaker or fuse and test that power is off before wiring.
2. **WARNING! Attach a warning tag to the circuit breaker or fuse location warning not to reconnect power.**
3. Install the USB Outlet in a standard single gang electrical wall box wired in accordance with NEC Article 314 box fill requirements.

4. Connect wires per diagram. Wire terminals accept #14 to #12 AWG copper or copper clad wires. Strip wire back 4/5".
5. Loop wire around terminal screws and firmly tighten terminal screw to secure.
6. Mount the USB Outlet in the wall box with the four screws provided.
7. Install wall plate (not provided).
8. Restore power.

Note: The USB ports are for charging only and cannot transfer data.



Limited 90 Day Warranty

Harbor Freight Tools Co. makes every effort to assure that its products meet high quality and durability standards, and warrants to the original purchaser that this product is free from defects in materials and workmanship for the period of 90 days from the date of purchase.

This warranty does not apply to damage due directly or indirectly, to misuse, abuse, negligence or accidents, repairs or alterations outside our facilities, criminal activity, improper installation, normal wear and tear, or to lack of maintenance. We shall in no event be liable for death, injuries to persons or property, or for incidental, contingent, special or consequential damages arising from the use of our product. Some states do not allow the exclusion or limitation of incidental or consequential damages, so the above limitation of exclusion may not apply to you. THIS WARRANTY IS EXPRESSLY IN LIEU OF ALL OTHER WARRANTIES, EXPRESS OR IMPLIED, INCLUDING THE WARRANTIES OF MERCHANTABILITY AND FITNESS.

To take advantage of this warranty, the product or part must be returned to us with transportation charges prepaid. Proof of purchase date and an explanation of the complaint must accompany the merchandise. If our inspection verifies the defect, we will either repair or replace the product at our election or we may elect to refund the purchase price if we cannot readily and quickly provide you with a replacement. We will return repaired products at our expense, but if we determine there is no defect, or that the defect resulted from causes not within the scope of our warranty, then you must bear the cost of returning the product.

This warranty gives you specific legal rights and you may also have other rights which vary from state to state.

ARMSTRONG