

Owner's Manual & Safety Instructions

Save This Manual Keep this manual for the safety warnings and precautions, assembly, operating, inspection, maintenance and cleaning procedures. Write the product's serial number in the back of the manual near the assembly diagram (or month and year of purchase if product has no number). Keep this manual and the receipt in a safe and dry place for future reference.

20i



LED-SOLAR Motion Security Light



Visit our website at: <http://www.harborfreight.com>
Email our technical support at: productsupport@harborfreight.com

64732

When unpacking, make sure that the product is intact and undamaged. If any parts are missing or broken, please call 1-888-866-5797 as soon as possible.

Copyright© 2020 by Harbor Freight Tools®. All rights reserved.
No portion of this manual or any artwork contained herein may be reproduced in any shape or form without the express written consent of Harbor Freight Tools. Diagrams within this manual may not be drawn proportionally. Due to continuing improvements, actual product may differ slightly from the product described herein. Tools required for assembly and service may not be included.

⚠ WARNING

Read this material before using this product. Failure to do so can result in serious injury. **SAVE THIS MANUAL.**

Table of Contents

Safety	2	Maintenance	6
Specifications	4	Parts List and Diagram	7
Setup	4	Warranty	8
Operation.....	5		



WARNING SYMBOLS AND DEFINITIONS

	This is the safety alert symbol. It is used to alert you to potential personal injury hazards. Obey all safety messages that follow this symbol to avoid possible injury or death.
	Indicates a hazardous situation which, if not avoided, will result in death or serious injury.
	Indicates a hazardous situation which, if not avoided, could result in death or serious injury.
	Indicates a hazardous situation which, if not avoided, could result in minor or moderate injury.
	Addresses practices not related to personal injury.

IMPORTANT SAFETY INFORMATION

WARNING

Read all safety warnings and instructions.

Failure to follow the warnings and instructions may result in electric shock, fire and/or serious injury.

Save all warnings and instructions for future reference.

1. **Keep installation area clean.**
Cluttered areas invite accidents.
2. **Observe installation area conditions.**
Keep work area well lit during installation.
3. **Check for damaged parts.**
Before using any product, any part that appears damaged should be carefully checked to determine that it will operate properly and perform its intended function. Check for any broken or damaged parts and any other conditions that may affect its operation. Replace or repair damaged or worn parts immediately. Do not use the Security Light if any switch does not turn on and off properly.
4. **Replacement parts and accessories.**
When servicing, use only identical replacement parts.
Use of any other parts will void the warranty.

5. **Check hardware and assembled parts after assembling.** All connections should be tight and hardware tightened.
6. **Keep children away.** Mount the Light, Solar Panel, and Cord out of children's reach.
7. **Dress properly.** Protective, electrically non-conductive clothes and nonskid footwear are recommended when working with the Solar Powered Security Light. Wear restrictive hair covering to contain long hair.
8. **Use eye protection.** Wear ANSI-approved impact safety goggles when setting up this product.
9. **Maintain products with care.** Keep the Solar Powered Security Light clean for better and safer performance. Inspect the Light periodically. If damaged, have it repaired by a qualified technician.
10. **Do not overreach.** Keep proper footing and balance at all times. If a ladder is to be used during installation, it should be supported by an assistant.
11. **Do not set up the Solar Powered Security Light if under the influence of alcohol or drugs.** Read warning labels on prescriptions to determine if your judgement or reflexes are impaired while taking drugs. If there is any doubt, do not set up the Light.
12. **Have your product serviced by a qualified repair person using only identical replacement parts.** *This will ensure that the safety of the product is maintained.*
13. The warnings, precautions, and instructions discussed in this instruction manual cannot cover all possible conditions and situations that may occur. It must be understood by the operator that common sense and caution are factors which cannot be built into this product, but must be supplied by the operator.
14. **Contains Li-Ion battery. Battery must be recycled or disposed of properly. Do not open, crush, heat above 140°F or incinerate.**



SAVE THESE INSTRUCTIONS.

Specifications

Lamp	20 SMD LEDs
Battery	3.2V, 600mAh, Li-Ion

Setup - Before Use:



Read the **ENTIRE IMPORTANT SAFETY INFORMATION** section at the beginning of this manual including all text under subheadings therein before set up or use of this product.

Note: For additional information regarding the parts listed in the following pages, refer to *Parts List and Diagram* on page 7.

Installation

1. Decide where you want to place the Lamp and the Solar Panel. The Solar Panel is equipped with a 16 ft. power cord, so the Lamp and Solar Panel can be installed up to 16 ft. apart.
Set the Solar Panel in a location that receives full, direct sunlight, a minimum of eight hours a day. Angle the solar panel slightly toward the south (northern hemisphere).
2. Mount the Solar Panel:
 - a. Place the Solar Panel in the desired location, adjusting the unit to best fit the surface.
 - b. Mark the hole locations of the Mounting Hole Base, then set the Solar Panel aside.
 - c. Verify that installation surface has no hidden utility lines before drilling or driving screws. Drill holes for the enclosed mounting Screws and Anchors.
 - d. Insert the Anchor Sleeves then secure the Solar Panel in place with the Screws.
3. Mount the Lamp:
 - a. Locate the unit six to eight feet above ground on a solid surface capable of supporting the Lamp and secure enough so that it will not move when exposed to vibrations or wind. The unit must be high enough to allow for motion detection and light distribution.
 - b. Mark the hole locations of the Mounting Hole Base, then set the Lamp aside.
 - c. Verify that installation surface has no hidden utility lines before drilling or driving screws. Drill holes for the enclosed Screws and Anchors
 - d. Insert the Anchor Sleeves then secure the Lamp in place with the screws.
4. Carefully route the Power Cord of the Solar Panel to the Lamp's rear panel. Plug Power Cord into the Power Input on the back of the Lamp.

Initial Battery Charging

Before the Security Light can operate properly, the battery needs to be fully charged. To charge the battery:

1. Turn the Power Switch off. The battery will recharge while the Power Switch is off.
2. Allow the battery to charge for 8 hours of full sunlight.

Functions

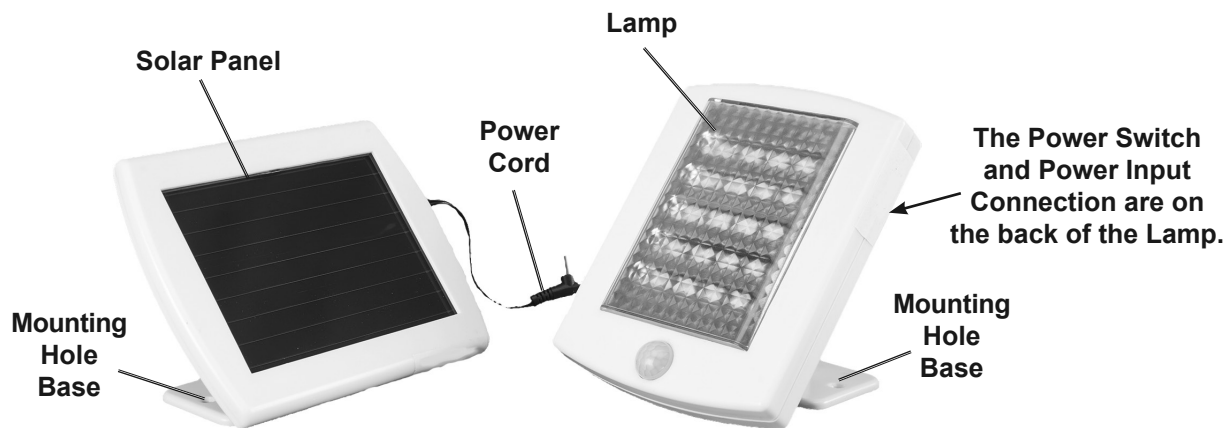


Figure B

Operation



Read the **ENTIRE IMPORTANT SAFETY INFORMATION** section at the beginning of this manual including all text under subheadings therein before set up or use of this product.

1. Move the Power Switch on the back of the Lamp to "ON." This will activate the Solar Security Light.
2. The Light will automatically turn on dimly during the night.
3. Test the Light by walking or driving into the protected area.
4. The Lamp should brighten temporarily when motion is detected.
5. If the Lamp does not brighten, relocate or adjust the aim of the sensor, or allow more charging time.

Maintenance and Servicing



Procedures not specifically explained in this manual must be performed only by a qualified technician.

WARNING

TO PREVENT SERIOUS INJURY FROM TOOL FAILURE:

Do not use damaged equipment. If abnormal noise or vibration occurs, have the problem corrected before further use.

Cleaning, Maintenance, and Lubrication

- BEFORE EACH USE**, inspect the general condition of the tool. Check for:
 - loose hardware,
 - misalignment or binding of parts,
 - cracked or broken parts, and
 - any other condition that may affect its safe operation.
- AFTER USE**, wipe external surfaces of the tool with clean cloth.
- Keep Solar Panel free of dirt and debris to maintain optimum efficiency in recharging the battery.

Battery Removal and Disposal

- The Battery is located inside the Lamp assembly.
- Turn the Lamp off and remove the screws on the back.
- Disconnect the battery and remove it from the Lamp.
- Contains Li-Ion battery. Battery must be recycled or disposed of properly. Do not open, crush, heat above 140°F or incinerate.**

Troubleshooting

Problem	Possible Causes	Likely Solutions
Light won't turn on.	<ol style="list-style-type: none">1. Power is not on.2. Cable connection is loose.3. Battery pack not fully charged.	<ol style="list-style-type: none">1. Check that Power Switch is set to ON.2. Plug in firmly at back of Battery Housing.3. Keep solar panel clean. Allow to charge in full sunlight for 8 hours with the Power Switch OFF.
Light turns on during day.	Light is positioned in a dark location.	Move light to a location that is lit during the day.
Light flashes on and off with clicking sounds.	Low battery.	With Switch set to "OFF", allow to charge in full sunlight for 8 hours before further use.
Light stays bright.	Frequent changes in heat being detected.	Check sensing area for possible heat sources such as air vents, vehicles or objects in wind. Reposition the Lamp if needed.
Light brightens and darkens continuously.	<ol style="list-style-type: none">1. Changes in heat are being detected from a fixed heat source or moving object.2. Sudden temperature change due to storms or high winds.	<ol style="list-style-type: none">1. Check sensing area for possible heat sources such as air vents, vehicles or objects in wind. Reposition the Lamp.2. Turn Power Switch "OFF" until storm passes. Mount in a sheltered location.



Follow all safety precautions whenever diagnosing or servicing the tool. Disconnect power supply before service.

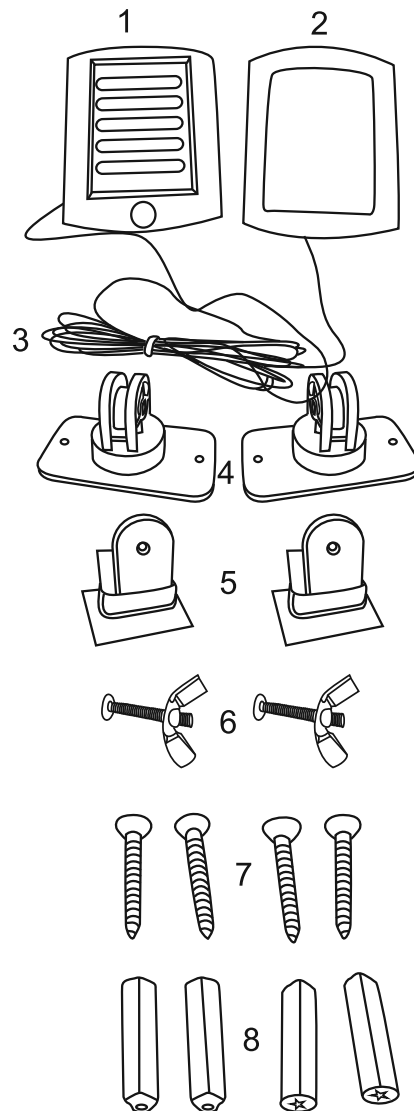
PLEASE READ THE FOLLOWING CAREFULLY

THE MANUFACTURER AND/OR DISTRIBUTOR HAS PROVIDED THE PARTS LIST AND ASSEMBLY DIAGRAM IN THIS MANUAL AS A REFERENCE TOOL ONLY. NEITHER THE MANUFACTURER OR DISTRIBUTOR MAKES ANY REPRESENTATION OR WARRANTY OF ANY KIND TO THE BUYER THAT HE OR SHE IS QUALIFIED TO MAKE ANY REPAIRS TO THE PRODUCT, OR THAT HE OR SHE IS QUALIFIED TO REPLACE ANY PARTS OF THE PRODUCT. IN FACT, THE MANUFACTURER AND/OR DISTRIBUTOR EXPRESSLY STATES THAT ALL REPAIRS AND PARTS REPLACEMENTS SHOULD BE UNDERTAKEN BY CERTIFIED AND LICENSED TECHNICIANS, AND NOT BY THE BUYER. THE BUYER ASSUMES ALL RISK AND LIABILITY ARISING OUT OF HIS OR HER REPAIRS TO THE ORIGINAL PRODUCT OR REPLACEMENT PARTS THERETO, OR ARISING OUT OF HIS OR HER INSTALLATION OF REPLACEMENT PARTS THERETO.

Parts List and Diagram

Part	Description	Qty
1	Lamp - 20 SMD	1
2	Solar Panel	1
3	Power Cable	1
4	Mounting Base	2
5	Mounting Connector	2

Part	Description	Qty
6	Screw and Nut Set	2
7	Anchor Screw	4
8	Anchor	4
9	Li-Ion battery (not shown)	1



Record Product's Serial Number Here: _____

Note: If product has no serial number, record month and year of purchase instead.

Note: Some parts are listed and shown for illustration purposes only, and are not available individually as replacement parts. Specify UPC 193175356963 when ordering parts.

Limited 90 Day Warranty

Harbor Freight Tools Co. makes every effort to assure that its products meet high quality and durability standards, and warrants to the original purchaser that this product is free from defects in materials and workmanship for the period of 90 days from the date of purchase. This warranty does not apply to damage due directly or indirectly, to misuse, abuse, negligence or accidents, repairs or alterations outside our facilities, criminal activity, improper installation, normal wear and tear, or to lack of maintenance. We shall in no event be liable for death, injuries to persons or property, or for incidental, contingent, special or consequential damages arising from the use of our product. Some states do not allow the exclusion or limitation of incidental or consequential damages, so the above limitation of exclusion may not apply to you. THIS WARRANTY IS EXPRESSLY IN LIEU OF ALL OTHER WARRANTIES, EXPRESS OR IMPLIED, INCLUDING THE WARRANTIES OF MERCHANTABILITY AND FITNESS.

To take advantage of this warranty, the product or part must be returned to us with transportation charges prepaid. Proof of purchase date and an explanation of the complaint must accompany the merchandise. If our inspection verifies the defect, we will either repair or replace the product at our election or we may elect to refund the purchase price if we cannot readily and quickly provide you with a replacement. We will return repaired products at our expense, but if we determine there is no defect, or that the defect resulted from causes not within the scope of our warranty, then you must bear the cost of returning the product.

This warranty gives you specific legal rights and you may also have other rights which vary from state to state.



26541 Agoura Road • Calabasas, CA 91302 • 1-888-866-5797