

Owner's Manual & Safety Instructions

Save This Manual Keep this manual for the safety warnings and precautions, assembly, operating, inspection, maintenance and cleaning procedures. Write the product's serial number in the back of the manual near the assembly diagram (or month and year of purchase if product has no number). Keep this manual and the receipt in a safe and dry place for future reference.

20b

MADDOXTM
SUPERIOR AUTOMOTIVE TOOLS

MDB5-1

Radiator Pressure Test Kit



Visit our website at: <http://www.harborfreight.com>
Email our technical support at: productsupport@harborfreight.com

64758

When unpacking, make sure that the product is intact and undamaged. If any parts are missing or broken, please call 1-888-866-5797 as soon as possible.

⚠ WARNING

Read this material before using this product. Failure to do so can result in serious injury. SAVE THIS MANUAL.

Copyright© 2019 by Harbor Freight Tools®. All rights reserved.
No portion of this manual or any artwork contained herein may be reproduced in any shape or form without the express written consent of Harbor Freight Tools. Diagrams within this manual may not be drawn proportionally. Due to continuing improvements, actual product may differ slightly from the product described herein. Tools required for assembly and service may not be included.

Important Safety Information

1. **TO PREVENT STEAM BURNS, DO NOT OPEN CAP OF HOT OR WARM RADIATOR.**
2. Loosen the radiator cap slowly.
3. Keep away from hot engine parts and fluids.
4. Use this product only according to these instructions. Improper use can create hazards.
5. Wear ANSI-approved safety goggles and heat resistant work gloves during product assembly and use.
6. Refer to the vehicle's service manual for specific radiator pressure testing instructions before use.
7. Clean up coolant spills immediately. Dispose of fluids according to local, state, and federal codes and regulations.
8. Keep work area clean and well lit.
9. Do not overreach. Keep proper footing and balance at all times. This enables better control of the product in unexpected situations.
10. Keep bystanders out of the area during assembly and use.
11. Do not assemble or operate when tired or when under the influence of drugs or medication.
12. This product is not a toy. Do not allow children to play with or near this product.
13. Use as intended only.
14. Inspect before every use. Do not use if parts missing or damaged.
15. Maintain product labels and nameplates. These carry important safety information. If unreadable or missing, contact Harbor Freight Tools for a replacement.

MADDOXTM
SUPERIOR AUTOMOTIVE TOOLS

Operating Instructions

1. Refer to the vehicle's service manual for specific radiator pressure testing instructions.
2. Loosen the vehicle's radiator or coolant bottle cap slowly to relieve any excess pressure before removing the cap completely. Do not open the cap of a hot radiator.
3. Inspect the cap opening to make sure the sealing surface is free of any debris and is not damaged.
4. Select the proper Adapter for the vehicle being tested. First attach the Adapter to the Pump by pressing the two together and rotating the Pump head lever clockwise until it locks in place. Then securely attach the Adapter to the filler neck of the radiator or expansion tank.
5. Rapidly pump the Hand Pump while watching the pressure gauge. Pressurize the radiator up to the manufacturer specified pressure only. Do not overpressurize the radiator. Readings normally range 12~15 PSI. If the pressure level is too low, there may be a leak in the radiator or hose.
6. Once the test is complete, release the air pressure by turning the Pump head lever clockwise. After pressure is relieved, rotate the Pump head counterclockwise to remove.
7. Store the Kit in its Case in a clean, dry, safe location out of reach of children.

Note: Depending on your vehicle, an Adapter might not be needed. In this case the Pump can be directly connected to the radiator.

MADDOXTM
SUPERIOR AUTOMOTIVE TOOLS

Make	Model/Year	Adapter
ACURA®	16 mm	1525-P1
	9.5 mm	1525-P2
BUICK®	All	1525-P3
CADILLAC®	STS 2005	1525-P3
CHEVROLET®	Cavalier 1999	1525-P3
	Cobalt 2005	1525-P3
	Impala 2004	1525-P3
	Malibu 1999	1525-P3
	Metro 1998-2001	1525-P2
	Nova 1985-1988	1525-P1
	Prizm 1998-2002	1525-P2
	Spectrum 1985-1989	1525-P1
	Sprint 1985-1988	1525-P1
	Tracker 1998-2004	1525-P2
CHRYSLER® DODGE® EAGLE® PLYMOUTH®	2000 GTX 1989-90	1525-P1
	Avenger 1995-1999	1525-P1
	Colt 1984-1993	1525-P1
	Colt 1992-1994 (some models)	1525-P2
	Conquest 1984-1989	1525-P1
	Laser/Talon 1990-1998	1525-P1
	Ram 50 Pickup 1987-1993	1525-P1
	Sebring 2003-2005 6.0L 2.4L	1525-P2
	Stealth 1991-1996	1525-P1
	Stratus (3.0 liter only) 2001	1525-P2
	Summit 1989-1992	1525-P1
	Summit 1992-1996	1525-P2
FORD® LINCOLN® MERCURY®	Aspire 1994-1997	1525-P1
	Cougar/Thunderbird 1989-1992 1993-1997 V6	1525-P1
	Escort/Tracer 1991	1525-P1
	Explorer/Mountaineer/Aviator 1995-2002	1525-P1
	Festiva 1988-1993	1525-P1
	Fiesta 2011	1525-P4
	Focus 2008	1525-P1
	Mustang V6 1997-2004	1525-P1
	Probe 1989-1997	1525-P1
	Ranger Pickup 1995 (non-threaded neck)	1525-P1

Make	Model/Year	Adapter
FORD® LINCOLN® MERCURY®	Tempo/Topaz 1992-1994	1525-P1
	Thunderbird 1989-1993 (All)	1525-P1
	Thunderbird 1994-1997 (V6)	1525-P1
	Villager 1993-2002	1525-P1
	Windstar 1995-2000	1525-P1
	ZX2 2001-2003	1525-P1
FREIGHTLINER®	52mm x 2.5mm 2002-Century, Columbia	1525-P3
GEO®	Metro 1989-1994	1525-P1
	Metro 1995-1998	1525-P2
	Prizm 1989-1992	1525-P1
	Prizm 1993-2002	1525-P2
	Storm 1990-1993	1525-P1
	Tracker 1989-1993	1525-P1
	Tracker 1994-2004	1525-P2
HONDA®	16 mm	1525-P1
	9.5 mm	1525-P2
GMC®	All	1525-P3
HUMMER®	All	1525-P3
HYUNDAI®	1987 All models	1525-P1
INFINITI®	All	1525-P1
ISUZU®	Ascender 2002	1525-P3
	I280 2006	1525-P3
	I290 2007-2008	1525-P3
	I370 2007-2008	1525-P3
	Oasis 1996-1999	1525-P2
	Rodeo 1998-2003 (L-4 only)	1525-P2
KIA®		1525-P1
LAND ROVER®	LR2 2008	1525-P4
LEXUS®		1525-P1 1525-P2
MAZDA®	Mazda 3 2004	1525-P4
	Mazda 6 2003	1525-P3
MITSUBISHI®		1525-P1 1525-P2
NISSAN®	1987	1525-P1
	Armada/Titan 2010	1525-P1

Make	Model/Year	Adapter
OLDSMOBILE®	Alero 1999-2004	1525-P3
	Bravada 2002-2004	1525-P3
	Cutlass 1999	1525-P3
	Intrigue 2000-2002	1525-P3
PONTIAC®	Firebird 1999-2002	1525-P3
	G5 2007-2010	1525-P3
	G6 2005-2010	1525-P3
	Grand Am 1999	1525-P3
	Grand Prix 2004-2008	1525-P3
	Montana 2007-2009	1525-P3
	Solstice 2006-2009	1525-P3
	Sunburst 1985-1988	1525-P1
	Sunfire 1999	1525-P3
	Vibe 2003-2010	1525-P2
SATURN®	All models except as below 1999	1525-P3
	Vue 2003	1525-P3
	Ion Redline 2004-2007	1525-P3
SCION®	All models 2004	1525-P2
SUBARU®		1525-P1 1525-P2
SUZUKI®		1525-P1 1525-P2 1525-P3
TOYOTA®		1525-P1
	Sienna 2007	1525-P2
	RAV 4	1525-P2
VOLVO®	C70 2008	1525-P4
	S40 2004	1525-P4
	S80 2007	1525-P4
	V 50 2005	1525-P4
	XC60 2010	1525-P4
	V70 2008-2010	1525-P4

Note: Kit may work for only some models under each indicated make.

CAUTION! Carefully check adapter for proper fit before pressurizing it. The vehicle may have a non-standard radiator or engine size, a damaged/deteriorated radiator, or other issues that will prevent proper pressurization.

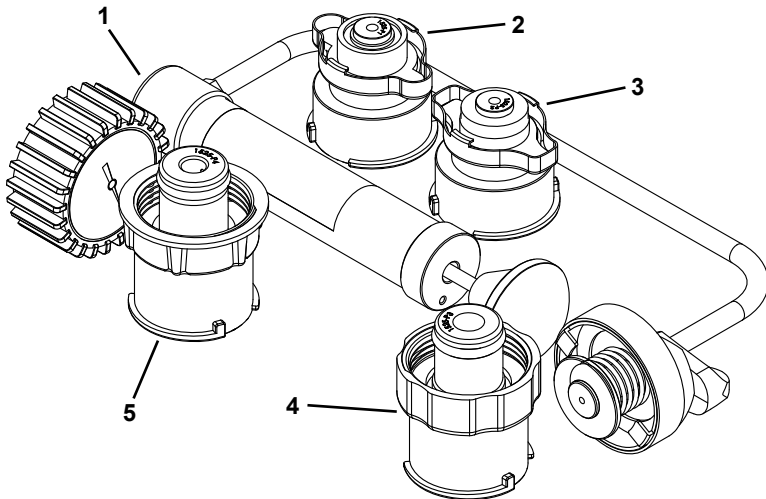
PLEASE READ THE FOLLOWING CAREFULLY

THE MANUFACTURER AND/OR DISTRIBUTOR HAS PROVIDED THE PARTS LIST AND ASSEMBLY DIAGRAM IN THIS DOCUMENT AS A REFERENCE TOOL ONLY. NEITHER THE MANUFACTURER OR DISTRIBUTOR MAKES ANY REPRESENTATION OR WARRANTY OF ANY KIND TO THE BUYER THAT HE OR SHE IS QUALIFIED TO MAKE ANY REPAIRS TO THE PRODUCT, OR THAT HE OR SHE IS QUALIFIED TO REPLACE ANY PARTS OF THE PRODUCT. IN FACT, THE MANUFACTURER AND/OR DISTRIBUTOR EXPRESSLY STATES THAT ALL REPAIRS AND PARTS REPLACEMENTS SHOULD BE UNDERTAKEN BY CERTIFIED AND LICENSED TECHNICIANS, AND NOT BY THE BUYER. THE BUYER ASSUMES ALL RISK AND LIABILITY ARISING OUT OF HIS OR HER REPAIRS TO THE ORIGINAL PRODUCT OR REPLACEMENT PARTS THERETO, OR ARISING OUT OF HIS OR HER INSTALLATION OF REPLACEMENT PARTS THERETO.

Parts List and Diagram

Part	Description
1	Pump
2	32mm inner neck diameter x 16mm deep neck Adapter 1525-P1

Part	Description
3	32mm inner neck diameter x 9mm deep neck Adapter 1525-P2
4	52mm Adapter 1525-P3
5	50mm Adapter 1525-P4



Record Serial Number Here: _____

Note: If product has no serial number, record month and year of purchase instead.

Note: Some parts are listed and shown for illustration purposes only, and are not available individually as replacement parts.

Limited 90 Day Warranty

Harbor Freight Tools Co. makes every effort to assure that its products meet high quality and durability standards, and warrants to the original purchaser that this product is free from defects in materials and workmanship for the period of 90 days from the date of purchase. This warranty does not apply to damage due directly or indirectly, to misuse, abuse, negligence or accidents, repairs or alterations outside our facilities, criminal activity, improper installation, normal wear and tear, or to lack of maintenance. We shall in no event be liable for death, injuries to persons or property, or for incidental, contingent, special or consequential damages arising from the use of our product. Some states do not allow the exclusion or limitation of incidental or consequential damages, so the above limitation of exclusion may not apply to you. THIS WARRANTY IS EXPRESSLY IN LIEU OF ALL OTHER WARRANTIES, EXPRESS OR IMPLIED, INCLUDING THE WARRANTIES OF MERCHANTABILITY AND FITNESS.

To take advantage of this warranty, the product or part must be returned to us with transportation charges prepaid. Proof of purchase date and an explanation of the complaint must accompany the merchandise. If our inspection verifies the defect, we will either repair or replace the product at our election or we may elect to refund the purchase price if we cannot readily and quickly provide you with a replacement. We will return repaired products at our expense, but if we determine there is no defect, or that the defect resulted from causes not within the scope of our warranty, then you must bear the cost of returning the product.

This warranty gives you specific legal rights and you may also have other rights which vary from state to state.

MADDOX™
SUPERIOR AUTOMOTIVE TOOLS