

Owner's Manual & Safety Instructions

Save This Manual Keep this manual for the safety warnings and precautions, assembly, operating, inspection, maintenance and cleaning procedures. Write the product's serial number in the back of the manual near the assembly diagram (or month and year of purchase if product has no number). Keep this manual and the receipt in a safe and dry place for future reference.

181

BRAUN™

RUGGED WORK LIGHT



Visit our website at: <http://www.harborfreight.com>
Email our technical support at: productsupport@harborfreight.com

64797

When unpacking, make sure that the product is intact and undamaged. If any parts are missing or broken, please call 1-888-866-5797 as soon as possible.

Copyright© 2018 by Harbor Freight Tools®. All rights reserved.

No portion of this manual or any artwork contained herein may be reproduced in any shape or form without the express written consent of Harbor Freight Tools. Diagrams within this manual may not be drawn proportionally. Due to continuing improvements, actual product may differ slightly from the product described herein. Tools required for assembly and service may not be included.

⚠WARNING

Read this material before using this product. Failure to do so can result in serious injury. **SAVE THIS MANUAL.**

Specifications

Charger Rating	6VDC, 500mA
Battery	Rechargeable Li-Ion 3.7V, 2200mAh

IMPORTANT SAFETY INFORMATION

⚠ WARNING

To prevent serious injury, FIRE, and EXPLOSION:

1. Keep dry. Do not open, drop, short-circuit, incinerate, expose to temperatures higher than 140° F, or charge/use if damaged.
2. Do not submerge Light in water or any other liquid.
3. Do not operate in explosive atmospheres, such as in the presence of flammable liquids, gases, or dust.
4. Do not charge for longer than 6 hours. Overcharging will cause overheating and shorten battery life.
5. People with pacemakers should consult their physician(s) before use. Electromagnetic fields in close proximity to heart pacemaker could cause pacemaker interference or pacemaker failure.
6. Not a toy. Keep out of reach of children.

Lithium Battery Safety Warnings



**LITHIUM BATTERIES STORE
A LARGE AMOUNT OF ENERGY AND
WILL VENT FIRE OR EXPLODE IF MISTREATED:**



1. **Keep Work Light dry.**
2. **DO NOT DO ANY OF THE FOLLOWING TO THE BATTERY PACK:**
 - a. **Open,**
 - b. **Drop,**
 - c. **Short-circuit,**
 - d. **Puncture,**
 - e. **Incinerate, or**
 - f. **Expose to temperatures greater than 140°F.**
3. Charge Work Light only according to these instructions.
4. **Li-Ion battery must be recycled or disposed of properly. Do not open, crush, heat above 140° F or incinerate.**

BRAUN™

Setup - Before Use:

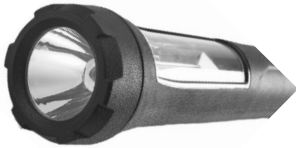


Read the **ENTIRE IMPORTANT SAFETY INFORMATION** section at the beginning of this manual including all text under subheadings therein before set up or use of this product.

Note: For additional information regarding the parts listed in the following pages, refer to Maintenance and Servicing on page 5.

Functions

Flashlight

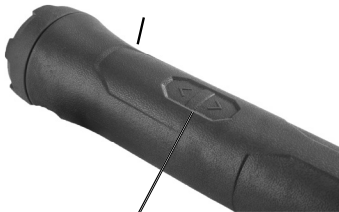


Floodlight



Base

Selection Buttons

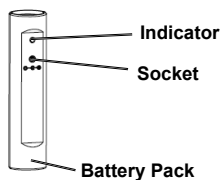


Charging Instructions



Read the **ENTIRE IMPORTANT SAFETY INFORMATION** section at the beginning of this document including all text under subheadings therein before set up or use of this product.

1. The Battery is located inside the Battery Pack which is inside the Work Light.
2. Turn OFF the Work Light and unscrew the Base from the bottom of the Work Light.
3. Pull out the Battery Pack and connect the Charger's cable into the Socket, located on the side of the Battery Pack.
4. Plug the Charger into a powered 120 VAC outlet.
5. The Indicator will light up red during charging. After approximately 6 hours the Indicator will turn green, indicating the Battery is fully charged and ready for use.
6. Disconnect the Charger's cable and slide the Battery Pack back into the Work Light.
7. Screw the Base onto the Work Light until tight.



NOTICE: Do not leave the Battery in a discharged state. Charge the Battery every 3 months if the Work Light is not in use. This will keep the Battery from wearing down and add to its life.

Do not charge the Work Light for more than 6 hours. Overcharging will cause overheating and shorten battery life.

Do not charge the Work Light at temperatures below 40° F.

Operation Instructions



Read the **ENTIRE IMPORTANT SAFETY INFORMATION** section at the beginning of this document including all text under subheadings therein before set up or use of this product.

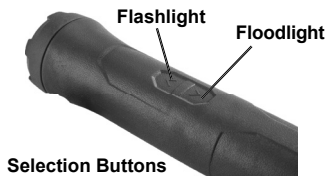
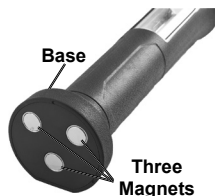
NOTE: Before using the Work Light for the first time, fully charge the Battery.

1. The Work Light has two modes: Floodlight and Flashlight. The Selection Buttons on the side of the Work Light control the lights.
2. To use the **Floodlight**:
 - a. Press Floodlight button to turn ON for low light.
 - b. Press again for high light.
 - c. Press a third time to turn the Floodlight OFF.
3. To use the **Flashlight**:

Press Flashlight button to turn ON and press it again to turn OFF.

Note: If the light will not turn on, check that the Base is screwed on securely.

4. The Work Light has a **magnetic Base** that allows it to be magnetically attached to a metal object.



Maintenance and Servicing



Procedures not specifically explained in this manual must be performed only by a qualified technician.

WARNING

TO PREVENT SERIOUS INJURY FROM ACCIDENTAL OPERATION:
Make sure that the Trigger is in the off-position and remove its Battery Pack before performing any procedure in this section.

TO PREVENT SERIOUS INJURY FROM TOOL FAILURE:
Do not use damaged equipment. If abnormal noise or vibration occurs, have the problem corrected before further use.

Cleaning, Maintenance, and Lubrication

1. **BEFORE EACH USE**, inspect the general condition of the tool. Check for:
 - leaking, swollen, or cracked battery pack,
 - loose hardware,
 - misalignment or binding of moving parts,
 - cracked or broken parts, and
 - any other condition that may affect its safe operation.
2. **AFTER USE**, wipe external surfaces of the tool with clean cloth.
3. Store tool in dry, indoor area out of reach of children.

Battery Removal, Replacement, and Disposal

1. The Battery is located inside the Battery Pack which is inside the Work Light.
2. Turn OFF the Work Light and unscrew the Base from the bottom of the Work Light.
3. Slide out the Battery Pack and disconnect the battery from its connector. Note polarity.
4. Replace the Battery with one of identical type. Be sure polarity orientation is correct.
5. Charge new Battery, if necessary. See Charging Instructions (page 4) for details.
6. Slide Battery Pack back into the Work Light.
7. Screw the Base onto Work Light until tight.
8. **Li-Ion battery must be recycled or disposed of properly. Do not open, crush, heat above 140° F or incinerate.**

PLEASE READ THE FOLLOWING CAREFULLY

THE MANUFACTURER AND/OR DISTRIBUTOR HAS PROVIDED THE PARTS LIST AND ASSEMBLY DIAGRAM IN THIS MANUAL AS A REFERENCE TOOL ONLY. NEITHER THE MANUFACTURER OR DISTRIBUTOR MAKES ANY REPRESENTATION OR WARRANTY OF ANY KIND TO THE BUYER THAT HE OR SHE IS QUALIFIED TO MAKE ANY REPAIRS TO THE PRODUCT, OR THAT HE OR SHE IS QUALIFIED TO REPLACE ANY PARTS OF THE PRODUCT. IN FACT, THE MANUFACTURER AND/OR DISTRIBUTOR EXPRESSLY STATES THAT ALL REPAIRS AND PARTS REPLACEMENTS SHOULD BE UNDERTAKEN BY CERTIFIED AND LICENSED TECHNICIANS, AND NOT BY THE BUYER. THE BUYER ASSUMES ALL RISK AND LIABILITY ARISING OUT OF HIS OR HER REPAIRS TO THE ORIGINAL PRODUCT OR REPLACEMENT PARTS THERETO, OR ARISING OUT OF HIS OR HER INSTALLATION OF REPLACEMENT PARTS THERETO.

Record Product's Serial Number Here: _____

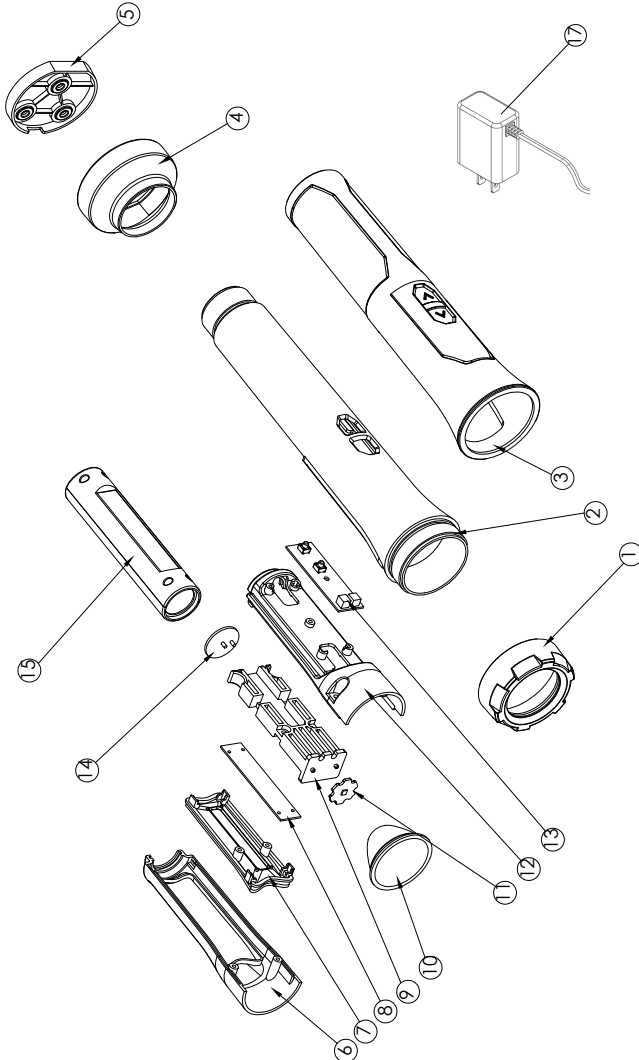
Note: If product has no serial number, record month and year of purchase instead.

Note: Replacement parts are not available for this item.

Parts List and Diagram

Part	Description	Qty
1	Lens	1
2	Housing	1
3	Cover	1
4	Base	1
5	Bottom Cap with Three Magnets	1
6	Inner Tube (right)	1
7	COB Reflector	1
8	PCB with COB	1
9	Heat Sink	1

Part	Description	Qty
10	LED Reflector	1
11	PCB with LED	1
12	Inner Tube (left)	1
13	PCB with Selection Buttons	1
14	PCB	1
15	Battery Pack	1
16	Battery (not shown, inside Battery Pack)	1
17	Charger	1



Limited 90 Day Warranty

Harbor Freight Tools Co. makes every effort to assure that its products meet high quality and durability standards, and warrants to the original purchaser that this product is free from defects in materials and workmanship for the period of 90 days from the date of purchase. This warranty does not apply to damage due directly or indirectly, to misuse, abuse, negligence or accidents, repairs or alterations outside our facilities, criminal activity, improper installation, normal wear and tear, or to lack of maintenance. We shall in no event be liable for death, injuries to persons or property, or for incidental, contingent, special or consequential damages arising from the use of our product. Some states do not allow the exclusion or limitation of incidental or consequential damages, so the above limitation of exclusion may not apply to you. THIS WARRANTY IS EXPRESSLY IN LIEU OF ALL OTHER WARRANTIES, EXPRESS OR IMPLIED, INCLUDING THE WARRANTIES OF MERCHANTABILITY AND FITNESS.

To take advantage of this warranty, the product or part must be returned to us with transportation charges prepaid. Proof of purchase date and an explanation of the complaint must accompany the merchandise. If our inspection verifies the defect, we will either repair or replace the product at our election or we may elect to refund the purchase price if we cannot readily and quickly provide you with a replacement. We will return repaired products at our expense, but if we determine there is no defect, or that the defect resulted from causes not within the scope of our warranty, then you must bear the cost of returning the product.

This warranty gives you specific legal rights and you may also have other rights which vary from state to state.

BRAUN™

3491 Mission Oaks Blvd. • PO Box 6009 • Camarillo, CA 93011 • 1-888-866-5797