

Owner's Manual & Safety Instructions

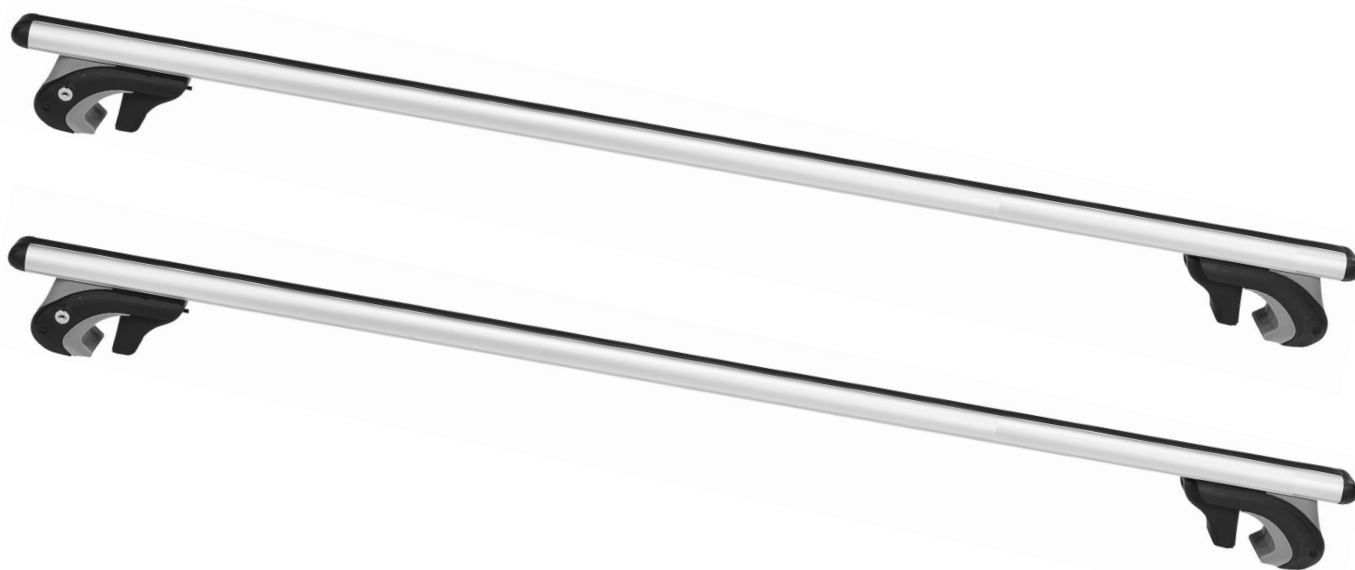
Save This Manual Keep this manual for the safety warnings and precautions, assembly, operating, inspection, maintenance and cleaning procedures. Write the product's serial number in the back of the manual near the assembly diagram (or month and year of purchase if product has no number). Keep this manual and the receipt in a safe and dry place for future reference.

19b

150 LB CAPACITY

HaulMaster®

UNIVERSAL ROOFTOP CROSSBARS



Visit our website at: <http://www.harborfreight.com>
Email our technical support at: productsupport@harborfreight.com

64877

When unpacking, make sure that the product is intact and undamaged. If any parts are missing or broken, please call 1-888-866-5797 as soon as possible.

Copyright© 2019 by Harbor Freight Tools®. All rights reserved.
No portion of this manual or any artwork contained herein may be reproduced in any shape or form without the express written consent of Harbor Freight Tools. Diagrams within this manual may not be drawn proportionally. Due to continuing improvements, actual product may differ slightly from the product described herein. Tools required for assembly and service may not be included.

⚠ WARNING

Read this material before using this product. Failure to do so can result in serious injury. **SAVE THIS MANUAL.**

IMPORTANT SAFETY INFORMATION

⚠️WARNING

Read all safety warnings and instructions.

Failure to follow the warnings and instructions may result in serious injury.

Save all warnings and instructions for future reference.

Assembly Precautions

1. Assemble only according to these instructions. Improper installation can create hazards.
2. Wear ANSI-approved safety goggles and heavy-duty work gloves during assembly.

Installation Precautions

1. Follow all local, state, and federal regulations regarding installation and use.
2. Park vehicle on a flat, level, hard surface well away from traffic. Place transmission in park/neutral and set parking brake.
3. Keep installation area clean and well lit.
4. Keep bystanders out of the area during installation.
5. The vehicle must have the appropriate roof rails needed to securely and safely mount the Cross Bars' Mounting Brackets. Refer to vehicle's Owner's Manual.
6. Install only according to these instructions. Improper installation can create hazards.
7. Wear ANSI-approved safety goggles and heavy-duty work gloves during installation.
8. Install Crossbars securely to vehicle using supplied hardware only.
9. Do not install when tired or when under the influence of drugs or medication.
10. Weight capacity and other product capabilities apply to properly and completely installed product only.

Use Precautions

1. Do not exceed rated weight capacity of Crossbars, distributed evenly.
Be aware of dynamic loading! Sudden load movement may briefly create excess load causing product failure.
2. Do not exceed rated weight capacity of roof. Add 7.5 lb for both crossbar weight to cargo weight when determining roof cargo capacity. Refer to vehicle's Gross Vehicle Weight Rating.
3. Cargo must be distributed evenly, the center of gravity must be kept as low as possible.
4. Secure the load against slipping using appropriate straps (not elastic straps with or without hooks).
5. Before each use, and regularly during travel, check clamps and all other supports for tight fit and tighten if required.
6. Never attempt to carry a load that is wider than the vehicle.
7. Where specialized accessories are available for carrying loads, for example a bike carrier, they should be used.
8. Loads which produce significant lifting forces shall be carried in a way that lifting force is minimized, securing them independently to the front and rear of the vehicle using straps or other methods which are capable of withstanding the lifting forces.
9. Driving techniques must be altered to allow for changes in crosswind sensitivity, such as reducing speed and using greater braking distances.
10. Take additional height into account when driving into garages, under bridges, or in tunnels.
11. Use as intended only.
12. Inspect before every use; do not use if parts loose or damaged.
13. To maintain equipment, after every use, remove Crossbars and wipe external surfaces with clean cloth. Store Crossbars in a clean, dry area.
14. This product is not a toy. Do not allow children to play with or near this item.
15. Maintain product labels and nameplates. These carry important safety information. If unreadable or missing, contact Harbor Freight Tools for a replacement.
16. The warnings, precautions, and instructions discussed in this instruction manual cannot cover all possible conditions and situations that may occur. It must be understood by the operator that common sense and caution are factors which cannot be built into this product, but must be supplied by the operator.



SAVE THESE INSTRUCTIONS.

Specifications

Load Capacity	150 lb
Crossbar Weight	7.5 lb for both

Installation



Read the **ENTIRE IMPORTANT SAFETY INFORMATION** section at the beginning of this manual including all text under subheadings therein before set up or use of this product.

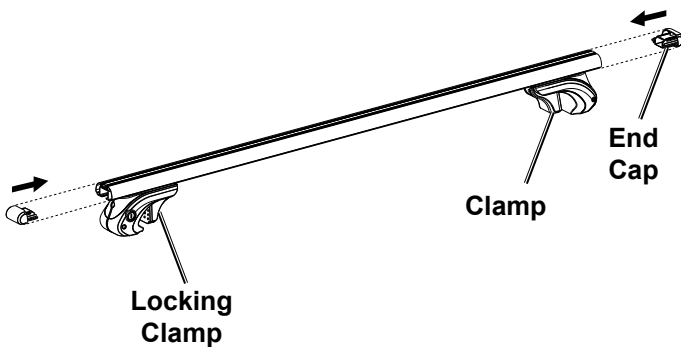
WARNING

TO PREVENT SERIOUS INJURY DURING INSTALLATION:

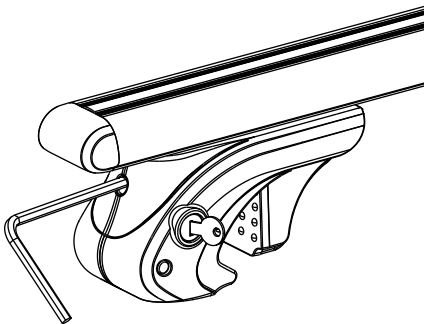
Park vehicle on a flat, level, hard surface well away from traffic. Place transmission in park/neutral and set parking brake.

Note: The vehicle must have the appropriate roof rails needed to securely and safely mount the Crossbars' Clamps. Refer to vehicle's Owner's Manual.

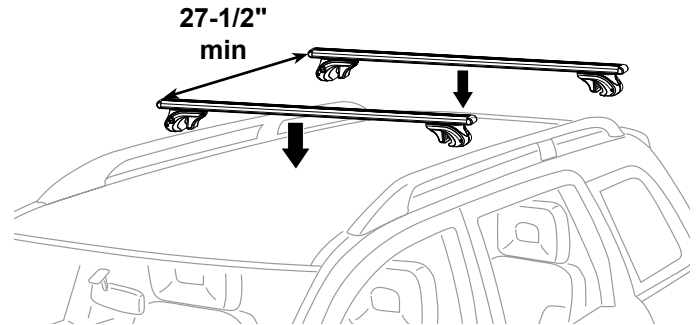
1. Slide Clamps into grooves on bottom of each end of bars. Push End Caps into ends of bars.



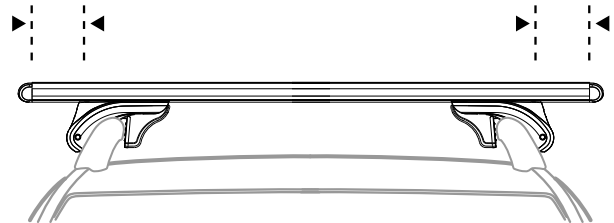
2. Unlock Locking Clamps with included key. Loosen all Clamps with included hex wrench.



3. Place Crossbars onto vehicle's roof rails. Position them a minimum of 27-1/2" apart. Refer to vehicle's Owner's Manual for spacing recommendations.



4. Adjust bars until the overhang on both ends is equal.



5. Tighten all Clamps securely. Check that Crossbars do not move, then lock Locking Clamps.



Operation

⚠️WARNING

TO PREVENT SERIOUS INJURY DURING OPERATION:

Park vehicle on a flat, level, hard surface well away from traffic. Place transmission in park/neutral and set parking brake.

Do not exceed rated weight capacity of roof. Add 7.5 lb for both Crossbar weight to cargo weight when determining roof cargo capacity. Refer to vehicle's Gross Vehicle Weight Rating.

Before each use, and regularly during travel, check clamps and all other supports for tight fit and tighten if required.

Driving techniques must be altered to allow for changes in crosswind sensitivity, such as reducing speed and using greater braking distances.

1. Distribute cargo evenly, the center of gravity must be kept as low as possible.
2. Secure the load against slipping using appropriate straps (not elastic straps with or without hooks).
3. After each use, remove Crossbars.



Maintenance and Servicing



Procedures not specifically explained in this manual must be performed only by a qualified technician.

!WARNING

TO PREVENT SERIOUS INJURY FROM RACK FAILURE:

Do not use damaged equipment. If Rack is damaged or if abnormal noise or vibration occurs, have the problem corrected before further use.

1. **BEFORE EACH USE**, inspect the general condition of the Cargo Carrier. Check for:
 - loose hardware,
 - misalignment or binding of moving parts,
 - cracked or broken parts, and
 - any other condition that may affect its safe operation.
2. **AFTER USE**, remove Crossbars and wipe external surfaces with clean cloth. Store Crossbars in a clean, dry area out of children's reach.

Record Serial Number Here: _____

Note: If product has no serial number, record month and year of purchase instead.

Note: Some parts are listed and shown for illustration purposes only, and are not available individually as replacement parts.

Limited 90 Day Warranty

Harbor Freight Tools Co. makes every effort to assure that its products meet high quality and durability standards, and warrants to the original purchaser that this product is free from defects in materials and workmanship for the period of 90 days from the date of purchase. This warranty does not apply to damage due directly or indirectly, to misuse, abuse, negligence or accidents, repairs or alterations outside our facilities, criminal activity, improper installation, normal wear and tear, or to lack of maintenance. We shall in no event be liable for death, injuries to persons or property, or for incidental, contingent, special or consequential damages arising from the use of our product. Some states do not allow the exclusion or limitation of incidental or consequential damages, so the above limitation of exclusion may not apply to you. THIS WARRANTY IS EXPRESSLY IN LIEU OF ALL OTHER WARRANTIES, EXPRESS OR IMPLIED, INCLUDING THE WARRANTIES OF MERCHANTABILITY AND FITNESS.

To take advantage of this warranty, the product or part must be returned to us with transportation charges prepaid. Proof of purchase date and an explanation of the complaint must accompany the merchandise. If our inspection verifies the defect, we will either repair or replace the product at our election or we may elect to refund the purchase price if we cannot readily and quickly provide you with a replacement. We will return repaired products at our expense, but if we determine there is no defect, or that the defect resulted from causes not within the scope of our warranty, then you must bear the cost of returning the product.

This warranty gives you specific legal rights and you may also have other rights which vary from state to state.

