

Owner's Manual & Safety Instructions

Save This Manual Keep this manual for the safety warnings and precautions, assembly, operating, inspection, maintenance and cleaning procedures. Write the product's serial number in the back of the manual near the assembly diagram (or month and year of purchase if product has no number). Keep this manual and the receipt in a safe and dry place for future reference.

19j



LED Motion Security Light



Visit our website at: <http://www.harborfreight.com>
Email our technical support at: productsupport@harborfreight.com

64910

When unpacking, make sure that the product is intact and undamaged. If any parts are missing or broken, please call 1-888-866-5797 as soon as possible.

Copyright© 2018 by Harbor Freight Tools®. All rights reserved.
No portion of this manual or any artwork contained herein may be reproduced in any shape or form without the express written consent of Harbor Freight Tools. Diagrams within this manual may not be drawn proportionally. Due to continuing improvements, actual product may differ slightly from the product described herein.
Tools required for assembly and service may not be included.

⚠ WARNING

Read this material before using this product.
Failure to do so can result in serious injury.
SAVE THIS MANUAL.

Specifications

Electrical Rating	120VAC / 60Hz / 32W
Motion Detection	240° @ 20 ft. 90° @ 69 ft.

IMPORTANT SAFETY INFORMATION

TO PREVENT SERIOUS INJURY AND DEATH FROM ELECTRIC SHOCK: THIS PRODUCT MUST BE INSTALLED IN ACCORDANCE WITH THE APPLICABLE INSTALLATION CODE BY A PERSON FAMILIAR WITH THE CONSTRUCTION AND OPERATION OF THE PRODUCT AND THE HAZARDS INVOLVED.

Before you begin installing, servicing, or maintenance of this product follow these general precautions:

1. To reduce the risk of death, personal injury, or property damage from fire, electrical shock, falling parts, cuts/abrasions, and other hazards please read all warnings and instructions included with and on this product prior to installation.
2. For commercial installation: Service and maintenance of this product must be performed by a qualified, licensed electrician.
3. For residential installation: If you are unsure about the installation or maintenance of this product, consult a qualified, licensed electrician.
4. Do not mount against flammable surfaces.
5. This product is intended to be used outdoors, and be subject to the elements; such as rain and snow and we recommend it to be mounted at least 6' 6" off the ground.
6. This LED product must be powered directly to a switched circuit.
7. Make sure that where this fixture will be mounted is structurally sound and that it will support the weight of this fixture.
8. This product should not be used in areas with limited ventilation or high ambient temperatures.
9. This product is intended to be connected to a properly installed and grounded UL listed junction box.

WARNING! RISK OF ELECTRICAL SHOCK

1. Turn off electrical power at the fuse or circuit breaker box before wiring this product to the power supply.
2. Verify voltage is 120V before installing.
3. All wiring connections should be capped with UL listed wire connectors.

CAUTION! RISK OF PRODUCT DAMAGE

1. Never connect fixture with power on.
2. Do not mount or support product in a manner that can cut the outer wire jacket or damage the wire insulation.
3. Avoid covering LED products with insulation, foam, or other materials that will prevent convection or conduction cooling.
4. Never connect an LED product directly to dimmer packs, occupancy sensors, timing devices, or other related control devices, unless individual product
5. LED products are polarity sensitive, ensure proper polarity before installation.
6. Electrostatic Discharge (ESD) can cause damage to LED products. Wear personal grounding equipment during installation and service of the product.
7. Do not touch the individual electronic components, it may cause ESD (Electronic Discharge), shorten lamp life or alter performance.

CAUTION! RISK OF INJURY

1. Wear gloves and safety glasses at all times when removing fixture from carton, installing or servicing the product.
2. Avoid direct eye exposure to the light source while it is on.
3. LED LIGHTS ARE EXTREMELY BRIGHT, UNDER NO CIRCUMSTANCES SHOULD YOU LOOK DIRECTLY INTO AN LED LIGHT, THIS MAY CAUSE IRREPARABLE DAMAGE TO THE EYES.
4. Please dispose of packaging materials and account for all small parts as these can be hazardous to small children.

WARNING! RISK OF BURN

1. Allow fixture to cool completely before handling.
2. Do not exceed maximum voltage marked on the label.
3. Keep combustible and other materials that can burn away from the light, lamp, and lens.

General Warnings

1. Assemble only according to these instructions. Improper assembly can create hazards.
2. Wear ANSI-approved safety goggles and heavy-duty work gloves during assembly.
3. Keep assembly area clean and well lit.
4. Keep bystanders out of the area during assembly.
5. Do not assemble when tired or when under the influence of alcohol, drugs or medication.
6. This product is not a toy. Do not allow children to play with or near this item.
7. Use as intended only.
8. Inspect before every use; do not use if parts are loose or damaged.
9. People with pacemakers should consult their physician(s) before installation. Electromagnetic fields in close proximity to heart pacemaker could cause pacemaker interference or pacemaker failure.
10. Maintain product labels and nameplates. These carry important safety information. If unreadable or missing, contact Harbor Freight Tools for a replacement.



SAVE THESE INSTRUCTIONS.

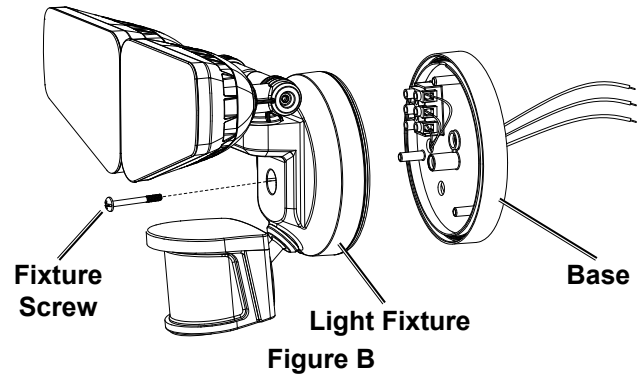
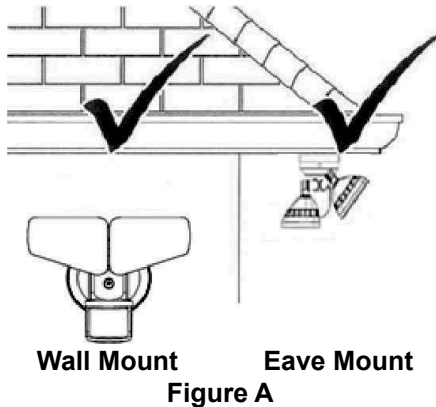
Installation Instructions



Read the **ENTIRE IMPORTANT SAFETY INFORMATION** section at the beginning of this document including all text under subheadings therein before set up or use of this product.

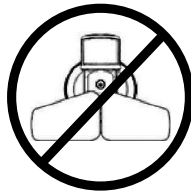
DANGER! TO PREVENT SERIOUS INJURY AND DEATH FROM ELECTRIC SHOCK: Disconnect power supply to circuit at breaker box and mark that breaker clearly to ensure it is not turned on during installation.

1. Determine the mounting location - wall or eave mount. Position the Light Fixture in the general direction of the desired light coverage. Rotate the Motion Sensor so the controls face the ground after installation.

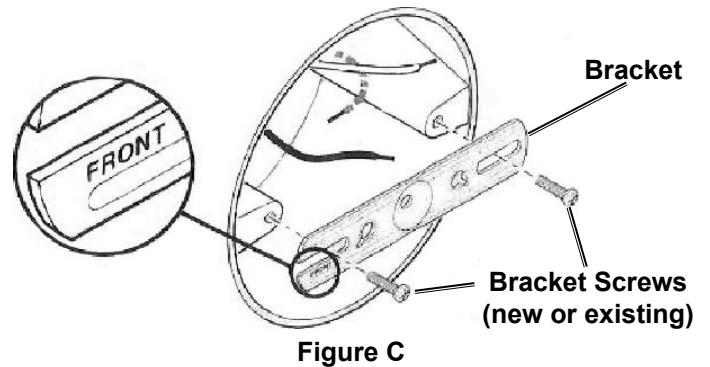


3. Remove any existing fixture. Use a voltage tester (sold separately) to ensure circuit's power is disconnected before proceeding.
4. Turn the bracket so that the side marked **FRONT** faces you. Install the Bracket using the Bracket Screws that fit the outlet box. Firmly pull on the Bracket to verify it is securely mounted to the outlet box. If necessary, use the screws that were removed from the existing fixture.

Note: Do not install the Light Fixture upside-down, with the Motion Sensor on top.



2. Unscrew the Fixture Screw connecting the Light Fixture to the Base and remove the Base.



5. Route the outlet box wires through a hole in the Base. Place the Base against the outlet box.
6. Insert the Base Screw through the hole located in the center of the Base, and thread it into the center hole of the Bracket. Tighten the Base Screw securely. Firmly pull on the Base to verify it is securely attached to the Bracket.

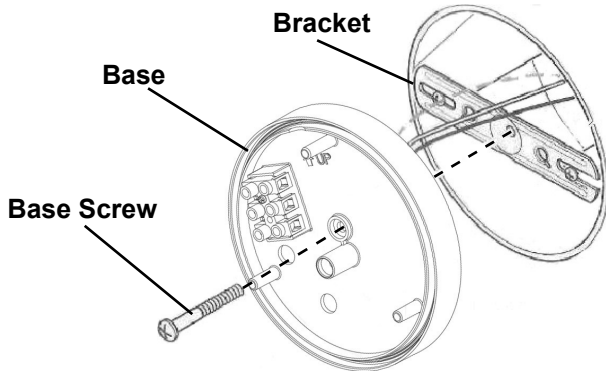


Figure D

7. Connect the Wires to the terminals on the Base:
 - Connect the black wire from the outlet box to the “L” terminal on the Base.
 - Connect the white wire from the outlet box to the “N” terminal on the Base.
 - Connect the grounding wire (usually green/ yellow insulation) from the outlet box to the “GND” terminal on the Base.
 - Carefully tuck excess wire length back into the outlet box.

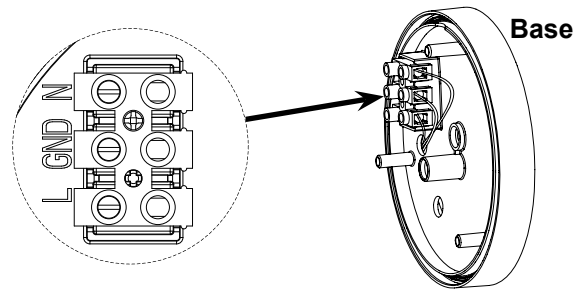


Figure E

8. Align the bottom edge of the Light Fixture with the bottom edge of the the Base. Tilt the Light Fixture towards the Base, making sure the Light Fixture is centered on the mounting base and the pins within the light fixture align with the terminal block. Secure with the Fixture Screw.
9. Push the Screw Cover firmly into the fixture screw hole.

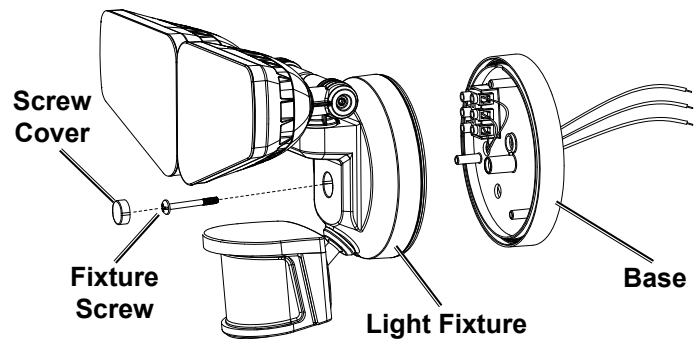


Figure F

10. Caulk around the Base and mounting surface with silicone sealant (not included).

Operation Instructions



Read the **ENTIRE IMPORTANT SAFETY INFORMATION** section at the beginning of this document including all text under subheadings therein before set up or use of this product.

1. If needed, gently grasp the lamp heads and tilt them up or down or side to side to adjust the light coverage area.
2. Rotate the Motion Sensor so the controls face the ground.
3. Turn the power on at the circuit breaker or fuse and turn on any wall switch.
4. To increase the detection zone, slide the sensitivity switch toward the "H" (high) position. To decrease the detection zone, slide the sensitivity switch toward the "L" (low) position.
5. Set the ON-TIME switch to 1, 3, 5, or 20 minute position.
6. In **DUALBRITE Mode**, the Security Light will illuminate according to the ambient brightness:
 - a. If no motion is detected but the detection zone is dark enough to trigger the Security Light's internal sensor, then the light will illuminate at 30% intensity.
 - b. However, if motion is detected illumination will intensify to 100%.
 - c. The light will stay on according to the DUALBRITE switch setting: 3 hours, 6 hours, D2D (dusk to dawn). When time is up, the Security Light will return to auto mode.
7. Optional **Manual Override Mode** may be used to keep the Security Light turned on one entire night.
 - a. The wall switch that controls power to the Security Light is used to enable manual override.
 - b. Within 3 seconds, switch the light switch **off/on/off/on**. This action enables manual override mode.
 - c. The Security Light will stay on all night then turn off at dawn and reset to auto mode.
8. **Test Mode:**
 - a. Power off the Security Light and set its ON-TIME switch to 1 minute.
 - b. Power on the Security Light and after 30 seconds, the light will turn on for 5-12 seconds then extinguish.
 - c. If motion is detected within 1 minute, the light will turn on again for 5-12 seconds then extinguish.
 - d. If no motion is detected for 1 minute, the light will remain off and switch to auto mode.
 - e. After testing, set the ON-TIME switch to desired selection.

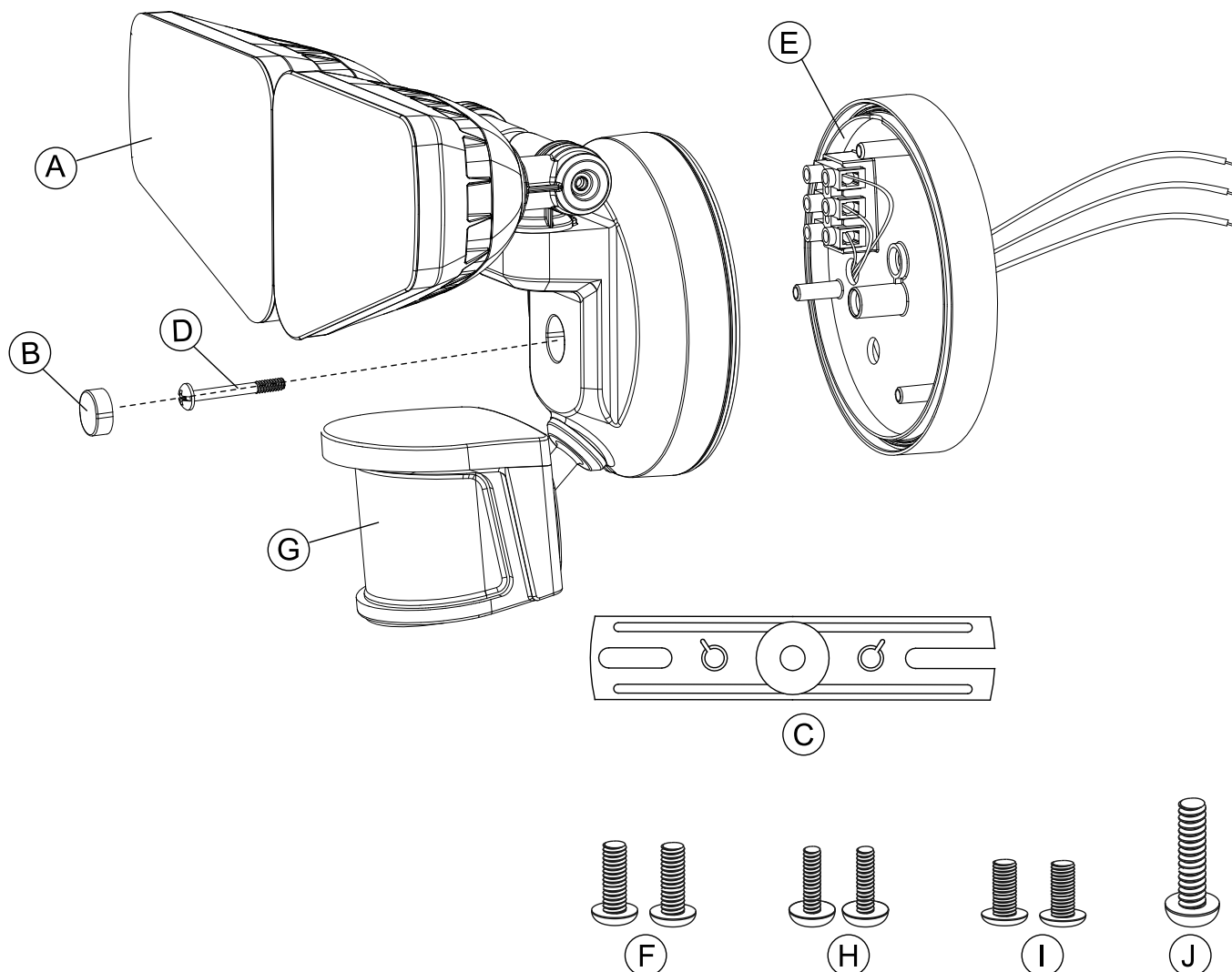
PLEASE READ THE FOLLOWING CAREFULLY

THE MANUFACTURER AND/OR DISTRIBUTOR HAS PROVIDED THE PARTS LIST AND ASSEMBLY DIAGRAM IN THIS DOCUMENT AS A REFERENCE TOOL ONLY. NEITHER THE MANUFACTURER OR DISTRIBUTOR MAKES ANY REPRESENTATION OR WARRANTY OF ANY KIND TO THE BUYER THAT HE OR SHE IS QUALIFIED TO MAKE ANY REPAIRS TO THE PRODUCT, OR THAT HE OR SHE IS QUALIFIED TO REPLACE ANY PARTS OF THE PRODUCT. IN FACT, THE MANUFACTURER AND/OR DISTRIBUTOR EXPRESSLY STATES THAT ALL REPAIRS AND PARTS REPLACEMENTS SHOULD BE UNDERTAKEN BY CERTIFIED AND LICENSED TECHNICIANS, AND NOT BY THE BUYER. THE BUYER ASSUMES ALL RISK AND LIABILITY ARISING OUT OF HIS OR HER REPAIRS TO THE ORIGINAL PRODUCT OR REPLACEMENT PARTS THERETO, OR ARISING OUT OF HIS OR HER INSTALLATION OF REPLACEMENT PARTS THERETO.

Parts List and Diagram

Part	Description	Qty
A	Light Fixture	1
B	Screw Cover	1
C	Bracket	1
D	Fixture Screw	1
E	Base	1

Part	Description	Qty
F	Bracket Screw #8/32x1/2 in	2
G	Motion Sensor	1
H	Bracket Screw #6/32x1/2 in	2
I	Bracket Screw #10/32x1/4 in	2
J	Base Screw	1



Record Serial Number Here: _____

Note: If product has no serial number, record month and year of purchase instead.

Note: Some parts are listed and shown for illustration purposes only, and are not available individually as replacement parts.

Limited 90 Day Warranty

Harbor Freight Tools Co. makes every effort to assure that its products meet high quality and durability standards, and warrants to the original purchaser that this product is free from defects in materials and workmanship for the period of 90 days from the date of purchase. This warranty does not apply to damage due directly or indirectly, to misuse, abuse, negligence or accidents, repairs or alterations outside our facilities, criminal activity, improper installation, normal wear and tear, or to lack of maintenance. We shall in no event be liable for death, injuries to persons or property, or for incidental, contingent, special or consequential damages arising from the use of our product. Some states do not allow the exclusion or limitation of incidental or consequential damages, so the above limitation of exclusion may not apply to you. THIS WARRANTY IS EXPRESSLY IN LIEU OF ALL OTHER WARRANTIES, EXPRESS OR IMPLIED, INCLUDING THE WARRANTIES OF MERCHANTABILITY AND FITNESS.

To take advantage of this warranty, the product or part must be returned to us with transportation charges prepaid. Proof of purchase date and an explanation of the complaint must accompany the merchandise. If our inspection verifies the defect, we will either repair or replace the product at our election or we may elect to refund the purchase price if we cannot readily and quickly provide you with a replacement. We will return repaired products at our expense, but if we determine there is no defect, or that the defect resulted from causes not within the scope of our warranty, then you must bear the cost of returning the product.

This warranty gives you specific legal rights and you may also have other rights which vary from state to state.

