

Owner's Manual & Safety Instructions

Save This Manual Keep this manual for the safety warnings and precautions, assembly, operating, inspection, maintenance and cleaning procedures. Write the product's serial number in the back of the manual near the assembly diagram (or month and year of purchase if product has no number). Keep this manual and the receipt in a safe and dry place for future reference.

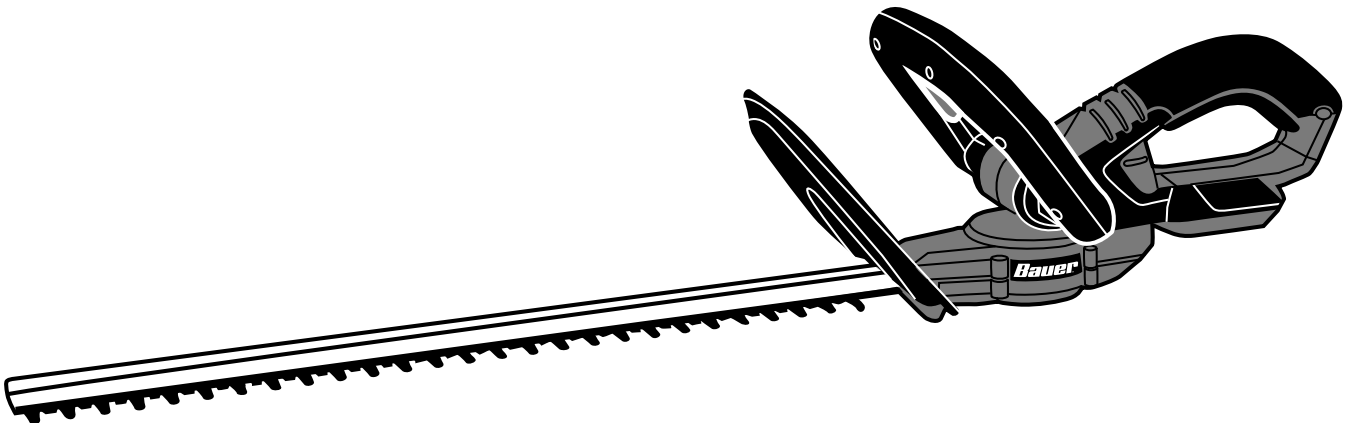
19a

BauerTM

19114C-B

20v

HYPERMAXTM LITHIUM



**FOR MAX PERFORMANCE
USE 3.0 AMP HOUR
BATTERY OR GREATER**

CORDLESS HEDGE TRIMMER

Visit our website at: <http://www.harborfreight.com>
Email our technical support at: productsupport@harborfreight.com

64941

When unpacking, make sure that the product is intact and undamaged. If any parts are missing or broken, please call 1-888-866-5797 as soon as possible.

Copyright© 2018 by Harbor Freight Tools®. All rights reserved.
No portion of this manual or any artwork contained herein may be reproduced in any shape or form without the express written consent of Harbor Freight Tools. Diagrams within this manual may not be drawn proportionally. Due to continuing improvements, actual product may differ slightly from the product described herein. Tools required for assembly and service may not be included.

⚠WARNING

Read this material before using this product. Failure to do so can result in serious injury. **SAVE THIS MANUAL.**

Table of Contents

Safety	2	Maintenance	10
Specifications	6	Parts List and Diagram	11
Setup	7	Warranty	12
Operation.....	9		

SAFETY



SETUP

WARNING SYMBOLS AND DEFINITIONS

	This is the safety alert symbol. It is used to alert you to potential personal injury hazards. Obey all safety messages that follow this symbol to avoid possible injury or death.
	Indicates a hazardous situation which, if not avoided, will result in death or serious injury.
	Indicates a hazardous situation which, if not avoided, could result in death or serious injury.
	Indicates a hazardous situation which, if not avoided, could result in minor or moderate injury.
	Addresses practices not related to personal injury.

OPERATION

IMPORTANT SAFETY INFORMATION

General Power Tool Safety Warnings

WARNING

Read all safety warnings and all instructions.

Failure to follow the warnings and instructions may result in electric shock, fire and/or serious injury.

Save all warnings and instructions for future reference.

The term "power tool" in the warnings refers to your battery-operated (cordless) power tool.

Work Area Safety

- Keep work area clean and well lit.**
Cluttered or dark areas invite accidents.
- Do not operate power tools in explosive atmospheres, such as in the presence of flammable liquids, gases or dust.** *Power tools create sparks which may ignite the dust or fumes.*
- Keep children and bystanders away while operating a power tool.**
Distractions can cause you to lose control.

MAINTENANCE

Electrical Safety

Do not expose power tools to rain or wet conditions.

Water entering a power tool will increase the risk of electric shock.

Personal Safety

1. **Stay alert, watch what you are doing and use common sense when operating a power tool. Do not use a power tool while you are tired or under the influence of drugs, alcohol or medication.** *A moment of inattention while operating power tools may result in serious personal injury.*
2. **Use personal protective equipment. Always wear eye protection.** *Protective equipment such as dust mask, non-skid safety shoes, hard hat, or hearing protection used for appropriate conditions will reduce personal injuries.*
3. **Prevent unintentional starting. Ensure the Trigger is in the off-position before connecting to power source, picking up or carrying the tool.** *Carrying power tools with your finger on the Trigger or energizing power tools that have the Trigger on invites accidents.*
4. **Do not overreach. Keep proper footing and balance at all times.** *This enables better control of the power tool in unexpected situations.*
5. **Dress properly. Do not wear loose clothing or jewelry. Keep your hair, clothing and gloves away from moving parts.** *Loose clothes, jewelry or long hair can be caught in moving parts.*
6. **If devices are provided for the connection of dust extraction and collection facilities, ensure these are connected and properly used.** *Use of dust collection can reduce dust-related hazards.*
7. **Only use safety equipment that has been approved by an appropriate standards agency.** *Unapproved safety equipment may not provide adequate protection. Eye protection must be ANSI-approved and breathing protection must be NIOSH-approved for the specific hazards in the work area.*

Power Tool Use and Care

1. **Do not force the power tool. Use the correct power tool for your application.** *The correct power tool will do the job better and safer at the rate for which it was designed.*
2. **Do not use the power tool if the Trigger does not turn it on and off.** *Any power tool that cannot be controlled with the Trigger is dangerous and must be repaired.*
3. **Disconnect the battery pack from the power tool before making any adjustments, changing accessories, or storing power tools.** *Such preventive safety measures reduce the risk of starting the power tool accidentally.*
4. **Store idle power tools out of the reach of children and do not allow persons unfamiliar with the power tool or these instructions to operate the power tool.** *Power tools are dangerous in the hands of untrained users.*
5. **Maintain power tools. Check for misalignment or binding of moving parts, breakage of parts and any other condition that may affect the power tool's operation. If damaged, have the power tool repaired before use.** *Many accidents are caused by poorly maintained power tools.*
6. **Keep cutting tools sharp and clean.** *Properly maintained cutting tools with sharp cutting edges are less likely to bind and are easier to control.*
7. **Use the power tool, accessories and tool bits etc. in accordance with these instructions, taking into account the working conditions and the work to be performed.** *Use of the power tool for operations different from those intended could result in a hazardous situation.*

Battery Tool Use and Care

1. **Recharge only with the charger specified by the manufacturer.** *A charger that is suitable for one type of battery pack may create a risk of fire when used with another battery pack.*
2. **Use power tools only with specifically designated battery packs.** *Use of any other battery packs may create a risk of injury and fire.*
3. **When battery pack is not in use, keep it away from other metal objects, like paper clips, coins, keys, nails, screws or other small metal objects, that can make a connection from one terminal to another.** *Shorting the battery terminals together may cause burns or a fire.*
4. **Under abusive conditions, liquid may be ejected from the battery; avoid contact. If contact accidentally occurs, flush with water. If liquid contacts eyes, additionally seek medical help.** *Liquid ejected from the battery may cause irritation or burns.*

Service

Have your power tool serviced by a qualified repair person using only identical replacement parts.

This will ensure that the safety of the power tool is maintained.



Hedge Trimmer Safety

SAFETY

SETUP

OPERATION

MAINTENANCE

1. **Keep all parts of the body away from the cutter blade. Do not remove cut material or hold material to be cut when blades are moving. Make sure the switch is off when clearing jammed material. Blades coast after turn off.** *A moment of inattention while operating the hedge trimmer may result in serious personal injury.*
2. **Carry the hedge trimmer by the handle with the cutter blade stopped.** *Proper handling of the hedge trimmer will reduce possible personal injury from the cutter blades.*
3. **Hold the power tool by insulated gripping surfaces only, because the cutter blade may contact hidden wiring or its own cord.** *Cutter blades contacting a "live" wire may make exposed metal parts of the power tool "live" and could give the operator an electric shock.*
4. **DANGER – Keep hands away from blade.** *Contact with blade will result in serious personal injury.*
5. **Use both hands when operating the hedge trimmer. Using one hand could cause loss of control and result in serious personal injury.**
6. Do not expose to rain.
7. Dress Properly. Do not wear loose clothing or jewelry. They can be caught in moving parts. Use of rubber gloves and substantial footwear is recommended when working outdoors. Wear protective hair covering to contain long hair.
8.  Wear ANSI-approved safety goggles and heavy-duty work gloves. Use face or dust mask if operation is dusty.
9. Do not leave the tool unattended when the Battery Pack is connected. Turn off the tool, and remove the Battery Pack before leaving.
10. Carefully inspect the Blade Assembly before inserting the Battery Pack. Do not use Trimmer if any part of the Blade Assembly is bent, dull, or damaged.
11. The Trigger and Safety Switch are important safety devices. Do not disable or tie down either Trigger or Safety Switch.
12. Do not use in rain, snow, sprinklers, or wet grass. Do not rinse off the Trimmer.
13. Use only during daylight hours.
14. Do not cut toward your body or face.
15. The Blade will continue to move for a few seconds after use. Allow it to stop completely and remove the Battery Pack before putting the tool down, making any adjustments, or servicing the tool.
16. Cover the Blade Assembly with the Blade Cover after every use.
17. Do not overreach. Keep proper footing and balance at all times.
18. Stay Alert. Watch what you are doing. Use common sense. Do not operate tool when you are tired.
19. Avoid unintentional starting. Prepare to begin work before turning on the tool.
20.  The battery Charger gets hot during use. The Charger's heat can build up to unsafe levels and create a fire hazard if it does not receive adequate ventilation, due to an electrical fault, or if it is used in a hot environment. Do not place the Charger on a flammable surface. Do not obstruct any vents on the Charger. **Especially avoid placing the Charger on carpets and rugs; they are not only flammable, but they also obstruct vents under the Charger.** Place the Charger on a stable, solid, nonflammable surface (such as a stable metal workbench or concrete floor) at least 1 foot away from all flammable objects, such as drapes or walls. Keep a fire extinguisher and a smoke detector in the area. Frequently monitor the Charger and Battery Pack while charging.
21. This product is not a toy. Keep it out of reach of children.
22. People with pacemakers should consult their physician(s) before use. Electromagnetic fields in close proximity to heart pacemaker could cause pacemaker interference or pacemaker failure.
23. Maintain labels and nameplates on the tool. These carry important safety information. If unreadable or missing, contact Harbor Freight Tools for a replacement.

24. The warnings, precautions, and instructions discussed in this instruction manual cannot cover all possible conditions and situations that may occur. It must be understood by the operator that common sense and caution are factors which cannot be built into this product, but must be supplied by the operator.

Lithium Battery Safety Warnings



**LITHIUM BATTERIES STORE
A LARGE AMOUNT OF ENERGY AND
WILL VENT FIRE OR EXPLODE IF MISTREATED:**



1. Keep Battery Pack dry.
2. **DO NOT DO ANY OF THE FOLLOWING TO THE BATTERY PACK:**
 - a. **Open,**
 - b. **Drop,**
 - c. **Short-circuit,**
 - d. **Puncture,**
 - e. **Incinerate, or**
 - f. **Expose to temperatures greater than 104°F.**
3. Charge Battery Pack only according to its Charger's instructions.
4. Inspect Battery Pack before every use; do not use or charge if damaged.

Battery Charger Safety

1. **SAVE THESE INSTRUCTIONS** – This manual contains important safety and operating instructions for Battery Charger Model 64941.
2. Before using Battery Charger, read all instructions and cautionary markings on Battery Charger, Battery, and product using Battery.
3. **CAUTION** - To reduce risk of injury, charge only li-ion Bauer type rechargeable batteries. Other types of batteries may burst causing personal injury and damage.
4. Do not charge or use tool in rain, or in wet locations.
5. Do not use battery-operated tool in rain.
6. Remove or disconnect battery after use, before servicing, cleaning or removing material from the tool.
7. Do not dispose of battery in a fire. The cell may explode. Check with local codes for possible disposal instructions.
8. Do not open or mutilate the battery. Released electrolyte is corrosive and may cause damage to the eyes or skin. It may be toxic if swallowed.
9. Exercise care in handling batteries in order not to short the battery with conducting materials such as rings, bracelets, and keys. The battery or conductor may overheat and cause burns.

Vibration Hazard

This tool vibrates during use. Repeated or long-term exposure to vibration may cause temporary or permanent physical injury, particularly to the hands, arms and shoulders. To reduce the risk of vibration-related injury:

1. Anyone using vibrating tools regularly or for an extended period should first be examined by a doctor and then have regular medical check-ups to ensure medical problems are not being caused or worsened from use. Pregnant women or people who have impaired blood circulation to the hand, past hand injuries, nervous system disorders, diabetes, or Raynaud's Disease should not use this tool. If you feel any symptoms related to vibration (such as tingling, numbness, and white or blue fingers), seek medical advice as soon as possible.
2. Do not smoke during use. Nicotine reduces the blood supply to the hands and fingers, increasing the risk of vibration-related injury.
3. Wear suitable gloves to reduce the vibration effects on the user.
4. Use appliances with the lowest vibration when there is a choice between different processes.
5. Include vibration-free periods each day of work.
6. Grip tool as lightly as possible (while still keeping safe control of it). Let the tool do the work.
7. To reduce vibration, maintain the tool as explained in this manual. If any abnormal vibration occurs, stop use immediately.



SAVE THESE INSTRUCTIONS.

Grounding










TO PREVENT ELECTRIC SHOCK AND DEATH FROM INCORRECT GROUNDING:

Check with a qualified electrician if you are in doubt as to whether the outlet is properly grounded. Do not modify the power cord plug provided with the charger. Do not use the charger if the power cord or plug is damaged. If damaged, have it repaired by a service facility before use. If the plug will not fit the outlet, have a proper outlet installed by a qualified electrician.

Extension Cords

Note: Extension cords must not be used with this item's Charger.

Symbology

	Double Insulated		Read the manual before set-up and/or use.
	Volts		WARNING marking concerning Risk of Fire. Do not cover Charger ventilation ducts. Charge on fireproof surface only.
	Alternating Current		WARNING marking concerning Risk of Electric Shock. Properly connect Charger's power cord to appropriate outlet.
	Amperes		WARNING marking concerning Risk of Explosion. Do not puncture, short, or open battery packs and do not charge damaged battery packs.
n0 xxxx/min.	No Load Revolutions per Minute (RPM)		
	WARNING marking concerning Risk of Eye Injury. Wear ANSI-approved safety goggles with side shields.		

Specifications

Battery Type	20V Bauer Li-Ion
No Load Speed	2,200 SPM (Strokes Per Minute)
Branch Capacity	9/16" diameter
Blade Length	20"

Set Up Instructions



Read the **ENTIRE IMPORTANT SAFETY INSTRUCTIONS** section at the beginning of this manual including all text under subheadings therein before set up or use of this product.

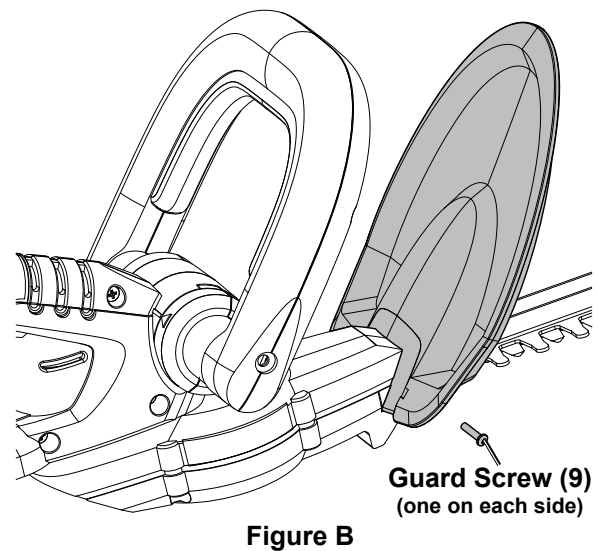
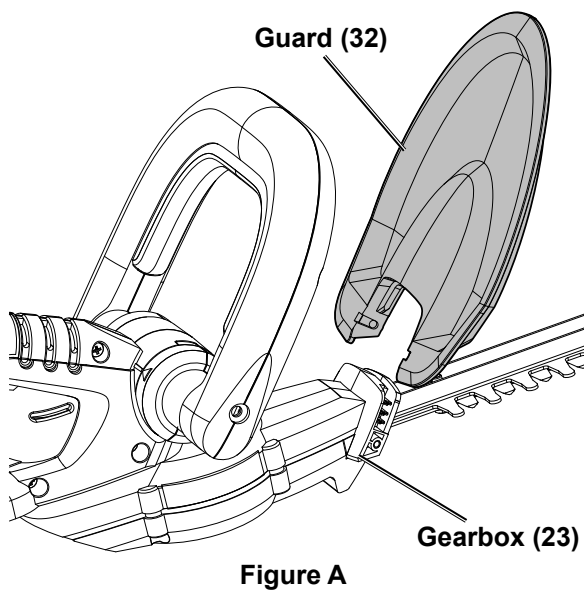
WARNING

TO PREVENT SERIOUS INJURY FROM ACCIDENTAL OPERATION: Make sure that the Trigger is in the off-position and remove the Battery Pack before performing any procedure in this section.

Note: For additional information regarding the parts listed in the following pages, refer to the Assembly Diagram near the end of this manual.

Assembly

1. Place the Guard (32) over the front of the Gearbox (23) as shown. It must fit securely in place.
2. Secure the Guard in place using one Guard Screw (9) on each side. Tighten each Guard Screw securely, but do not overtighten.



- Align the triangles molded into the Front Handle with the lines on the Housing as shown. The Front Handle **must** fit securely onto the Housing – it is designed to fit only one way.

WARNING! If the Front Handle is reversed or otherwise mounted improperly the Safety Switch may not work correctly and/or the Trimmer may not start.

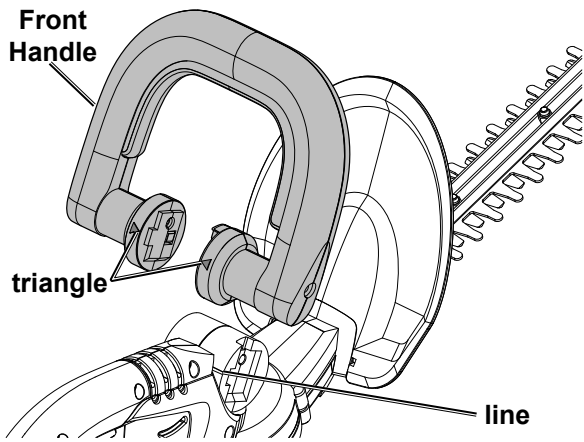


Figure C

- Insert Long Screw (11) through both sides of the Front Handle and thread it securely in place, but do not overtighten. The Long Screw can only be inserted from one side of the Front Handle.

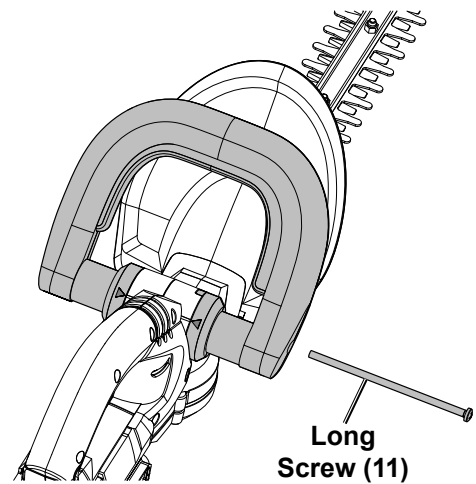
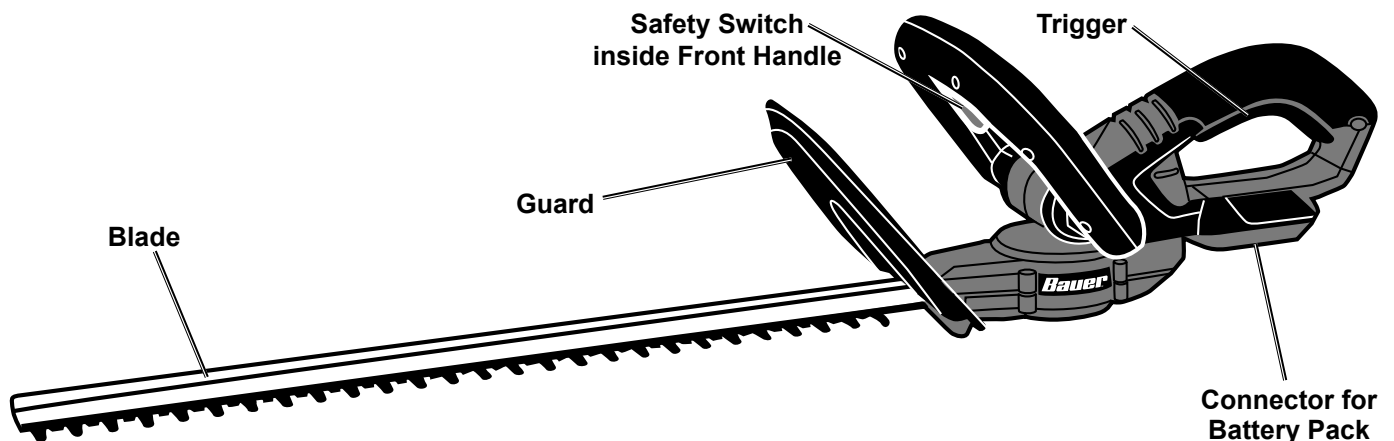


Figure D

Functions



Trigger and Safety Switch: To increase safety, these have to be used together to activate the Trimmer. Keep your hands on the Front Handle and Rear Handle at all times during operation. The Blade will coast to a stop after the Trigger or Safety Switch are released.

Bauer™

Operating Instructions



Read the **ENTIRE IMPORTANT SAFETY INFORMATION** section at the beginning of this manual including all text under subheadings therein before set up or use of this product.

Charging Battery Pack

Charge Battery Pack according to the instructions included with the 20V Bauer Battery charger (both sold separately).

General Operating Instructions

1. Before operating the Hedge Trimmer, put on ANSI-approved safety goggles and other safety gear. Safety goggles and other safety gear are sold separately.
2. Mark off the hedge you will trim using stakes and marking string (sold separately). Remove all decorations, lighting fixtures, and cords from the area. Search for all branches thicker than 9/16" diameter and cut to length using a lopper (sold separately).
3. Make sure that the Trigger is in the off-position, then slide the Battery Pack into slot on back of Hedge Trimmer until it clicks into place.
4. When the area is clear, squeeze and hold the Trigger and simultaneously squeeze the Safety Switch.
5. Take off layers of plant material gradually, using multiple passes. This will help avoid damaging the hedge, and will help prevent accidentally cutting thick branches or other objects hidden within the hedge.
6. Release the Trigger and Safety Switch to stop the motor. The Blade will continue to move for a few seconds after turnoff.

WARNING! TO PREVENT SERIOUS INJURY: Wait for the Blade to stop completely before putting down the Trimmer. The Blade will briefly keep moving, even after the Trigger and Safety Switch have been released.

7. If the Trimmer gets stuck on a branch:
 - a. Remove the Battery Pack.
 - b. Remove the Blade from the branch.
 - c. Cut the branch to the desired length using a lopper (sold separately).
8. To prevent accidents, release the Trigger to turn off the Trimmer and remove its Battery Pack after use. Clean and lubricate the Blade using a light machine oil, cover the Blade with the Blade Cover, then store the tool indoors out of children's reach.

NOTE: The Trigger cannot be activated unless the Lockout Switch is depressed. The Trimmer will not operate unless both Trigger and Safety Switch are pressed.

WARNING! TO PREVENT SERIOUS INJURY: Keep your hands on the Front Handle and Rear Handle at all times during operation.

NOTICE: Be careful to avoid contacting any chain-link or wire fence, they may damage the Blade.

BauerTM

Maintenance and Servicing



Procedures not specifically explained in this manual must be performed only by a qualified technician.

WARNING

TO PREVENT SERIOUS INJURY FROM ACCIDENTAL OPERATION:

Make sure that the Trigger is in the off-position and remove the Battery Pack before performing any procedure in this section.

TO PREVENT SERIOUS INJURY FROM TOOL FAILURE:

Do not use damaged equipment. If abnormal noise or vibration occurs, have the problem corrected before further use.

Cleaning, Maintenance, and Lubrication

- BEFORE EACH USE**, inspect the general condition of the tool. Check for:
 - leaking, swollen, or cracked battery pack
 - loose hardware
 - misalignment or binding of moving parts, especially Blade assembly
 - cracked or broken parts
 - any other condition that may affect its safe operation.
- AFTER USE**, clean external surfaces of the tool with a clean, moist cloth. Lubricate Blade using a light machine oil.
- Li-Ion BATTERY MUST BE RECYCLED OR DISPOSED OF PROPERLY. Do not short, incinerate or open battery.
- Blade nicks that interfere with normal Blade movement can be removed after removing the Battery Pack using a file (sold separately).
- Disconnect Battery Pack and store Battery Pack, Charger, and tool in dry, indoor area out of reach of children and away from metal objects (i.e., paperclips, coins) to prevent shorting.
- Do not store near fertilizer or other gardening chemicals. They may accelerate corrosion, making the tool unsafe.

PLEASE READ THE FOLLOWING CAREFULLY

THE MANUFACTURER AND/OR DISTRIBUTOR HAS PROVIDED THE PARTS LIST AND ASSEMBLY DIAGRAM IN THIS MANUAL AS A REFERENCE TOOL ONLY. NEITHER THE MANUFACTURER OR DISTRIBUTOR MAKES ANY REPRESENTATION OR WARRANTY OF ANY KIND TO THE BUYER THAT HE OR SHE IS QUALIFIED TO MAKE ANY REPAIRS TO THE PRODUCT, OR THAT HE OR SHE IS QUALIFIED TO REPLACE ANY PARTS OF THE PRODUCT. IN FACT, THE MANUFACTURER AND/OR DISTRIBUTOR EXPRESSLY STATES THAT ALL REPAIRS AND PARTS REPLACEMENTS SHOULD BE UNDERTAKEN BY CERTIFIED AND LICENSED TECHNICIANS, AND NOT BY THE BUYER. THE BUYER ASSUMES ALL RISK AND LIABILITY ARISING OUT OF HIS OR HER REPAIRS TO THE ORIGINAL PRODUCT OR REPLACEMENT PARTS THERETO, OR ARISING OUT OF HIS OR HER INSTALLATION OF REPLACEMENT PARTS THERETO.

Record Product's Serial Number Here: _____

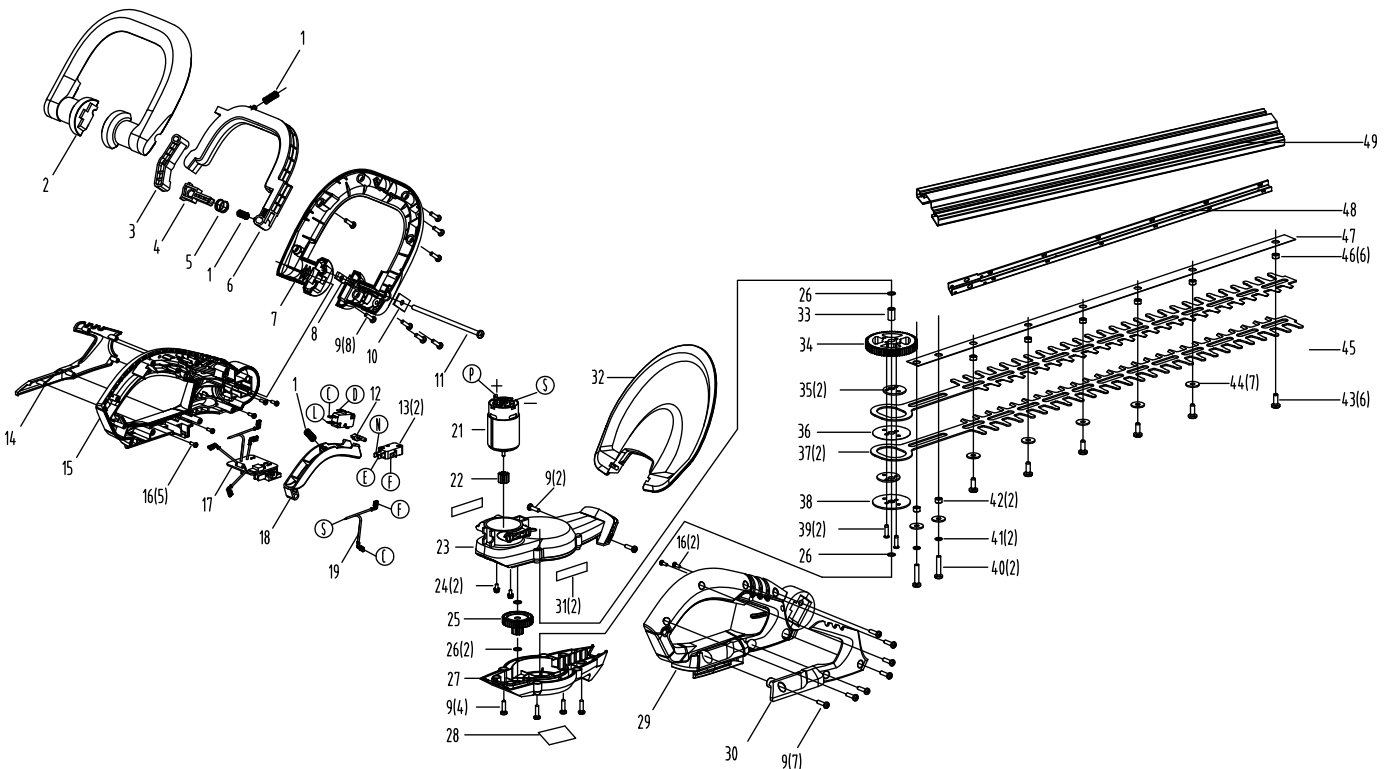
Note: If product has no serial number, record month and year of purchase instead.

Note: Some parts are listed and shown for illustration purposes only, and are not available individually as replacement parts.

Parts List and Diagram

Part	Description	Qty
1	Spring	3
2	Front Handle Upper	1
3	Rotate Block	1
4	Slide Block	1
5	Spring	1
6	Safety Switch	1
7	Front Handle Lower	1
8	Nut	1
9	Guard Screw St3.9x16	21
10	Washer	1
11	Long Bolt M5x120	1
12	Linkage	1
13	Switch	2
14	Left Cover	1
15	Left Housing	1
16	Self-Tapping Screw St2.9x10	7
17	Power Supply Board	1
18	Switch Lever	1
19	Inner Wire	1
21	Motor	1
22	Pinion	1
23	Gearbox	1
24	Screw Washer Assembly M3x8	2
25	Double Reduction Gear	1
26	Washer	4

Part	Description	Qty
27	Gearbox Cover	1
28	Label	1
29	Right Housing	1
30	Right Cover	1
31	Label	2
32	Guard	1
33	Bushing 6X8x14	1
34	Gear	1
35	Cam	2
36	Separate Plate	1
37	Blade	2
37	Blade	2
38	Cover	1
39	Rivet	2
40	Screw M5x25	2
41	Spring Washer	2
42	Roller	2
43	Self-Tapping Screw M5x14	6
44	Washer	7
45	Blade Protection Plate	1
46	Roller	6
47	Steel Plate	1
48	Support Bar	1
49	Blade Sheath	1



SAFETY

SETUP

OPERATION

MAINTENANCE

Limited 90 Day Warranty

Harbor Freight Tools Co. makes every effort to assure that its products meet high quality and durability standards, and warrants to the original purchaser that this product is free from defects in materials and workmanship for the period of 90 days from the date of purchase. This warranty does not apply to damage due directly or indirectly, to misuse, abuse, negligence or accidents, repairs or alterations outside our facilities, criminal activity, improper installation, normal wear and tear, or to lack of maintenance. We shall in no event be liable for death, injuries to persons or property, or for incidental, contingent, special or consequential damages arising from the use of our product. Some states do not allow the exclusion or limitation of incidental or consequential damages, so the above limitation of exclusion may not apply to you. THIS WARRANTY IS EXPRESSLY IN LIEU OF ALL OTHER WARRANTIES, EXPRESS OR IMPLIED, INCLUDING THE WARRANTIES OF MERCHANTABILITY AND FITNESS.

To take advantage of this warranty, the product or part must be returned to us with transportation charges prepaid. Proof of purchase date and an explanation of the complaint must accompany the merchandise. If our inspection verifies the defect, we will either repair or replace the product at our election or we may elect to refund the purchase price if we cannot readily and quickly provide you with a replacement. We will return repaired products at our expense, but if we determine there is no defect, or that the defect resulted from causes not within the scope of our warranty, then you must bear the cost of returning the product.

This warranty gives you specific legal rights and you may also have other rights which vary from state to state.

The logo for Bauer, featuring the word "Bauer" in a bold, italicized, sans-serif font. The letters are black with a white outline, and a small trademark symbol (TM) is located at the bottom right of the word.

26541 Agoura Road • Calabasas, CA 91302 • 1-888-866-5797