

Owner's Manual & Safety Instructions

Save This Manual Keep this manual for the safety warnings and precautions, assembly, operating, inspection, maintenance and cleaning procedures. Write the product's serial number in the back of the manual near the assembly diagram (or month and year of purchase if product has no number). Keep this manual and the receipt in a safe and dry place for future reference.

18k

PITTSBURGH[®] AUTOMOTIVE

64982

10-Ton 3-Jaw Hydraulic Gear Puller



Visit our website at: <http://www.harborfreight.com>
Email our technical support at: productsupport@harborfreight.com

When unpacking, make sure that the product is intact and undamaged. If any parts are missing or broken, please call 1-888-866-5797 as soon as possible.

Copyright[®] 2018 by Harbor Freight Tools[®]. All rights reserved.
No portion of this manual or any artwork contained herein may be reproduced in any shape or form without the express written consent of Harbor Freight Tools. Diagrams within this manual may not be drawn proportionally. Due to continuing improvements, actual product may differ slightly from the product described herein. Tools required for assembly and service may not be included.






⚠ WARNING

Read this material before using this product.
Failure to do so can result in serious injury.
SAVE THIS MANUAL.

Specifications

| | |
|-------------------|---------------------|
| Pressure Capacity | 10 Tons (20,000 lb) |
|-------------------|---------------------|

WARNING SYMBOLS AND DEFINITIONS

| | |
|-----------------------------------------------------------------------------------|------------------------------------------------------------------------------------------------------------------------------------------------------------------------------------|
|  | This is the safety alert symbol. It is used to alert you to potential personal injury hazards. Obey all safety messages that follow this symbol to avoid possible injury or death. |
|  | Indicates a hazardous situation which, if not avoided, will result in death or serious injury. |
|  | Indicates a hazardous situation which, if not avoided, could result in death or serious injury. |
|  | Indicates a hazardous situation which, if not avoided, could result in minor or moderate injury. |
|  | Addresses practices not related to personal injury. |

Important Safety Information



WARNING Read all safety warnings and instructions.

Failure to follow the warnings and instructions may result in serious injury.

Save all warnings and instructions for future reference.

1. Wear ANSI-approved safety goggles during use.
2. Use as intended only.
3. Inspect before use; do not use if parts loose or damaged.
4. The warnings, precautions, and instructions discussed in this instruction manual cannot cover all possible conditions and situations that may occur. It must be understood by the operator that common sense and caution are factors which cannot be built into this product, but must be supplied by the operator.



SAVE THESE INSTRUCTIONS.

Setup - Before Use:



Read the **ENTIRE IMPORTANT SAFETY INFORMATION** section at the beginning of this manual before set up or use of this product.

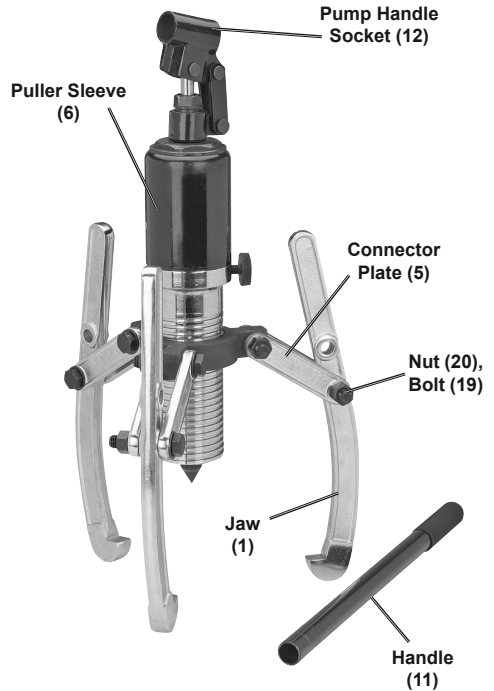
Note: For additional information regarding the parts listed in the following pages, refer to the Assembly Diagram near the end of this manual.

Assembly

1. Thread the Puller Sleeve (6) onto the Puller Unit about halfway up the threaded section of the Puller Unit.
2. Determine if the best grip on the part to be pulled is from the outside or the inside. The hooks on the Jaws (1) face inward when gripping the part from the outside. They face outward when gripping the part from the inside.
3. The Jaws have four different settings (two holes and then flip over the Jaws for the other two settings). Each can be for both inside and outside pulling. Determine whether to use the upper or lower holes in the Jaws and which way the Jaws should be turned.

WARNING! Turn all the Jaws the same way to ensure even pulling.

4. Assemble each of the three Jaws onto the Puller Sleeve (6) using two Connector Plates (5) and two sets of Bolt (19) and Nut (20) as shown.
5. Insert the Handle (11) into the Pump Handle Socket (12).



Functions

The tool is designed to pull items such as bearings, pulleys, and chucks from shafts. The Jaws (1) can grip the object from the inside or outside, whichever offers a better grip. The Piston (2) will push on the central shaft while the Jaws pull away. This will remove the item from the shaft by pulling it straight out evenly, without hammering or binding from pulling at an angle.

Operating Instructions



Read the **ENTIRE IMPORTANT SAFETY INFORMATION** section at the beginning of this manual before set up or use of this product.

CAUTION

This Gear Puller will deliver up to 10 tons (20,000 lb.) of pulling force.

DO NOT use tool on any work piece which cannot withstand the specified amount of pressure.

1. Open Return Valve (7) to fully retract Piston (2). Close the Return Valve by turning it clockwise until hand tight. Do not overtighten, as this will damage the seal.
2. Place the Jaws (1) around (or in) the item to be pulled. Be sure they will have a firm grip.
3. While holding the Jaws in place, rotate the Puller Unit on the Puller Sleeve (6), until the end of the Piston (2) contacts the work piece.
4. Pump the Handle (11) up and down to force the Piston down, causing the Jaws to pull upward.
5. Continue pumping the Handle, being sure the Jaws stay in place on the object and the object is not being damaged.
6. In most cases, a certain amount of pressure will build up, and the Gear Puller will suddenly loosen and release. Support the Gear Puller to prevent it from falling.
7. When finished, open the Return Valve (7) by turning it 1 turn counterclockwise (do not remove), and remove the Gear Puller from the workpiece.
8. To prevent accidents, clean, then store the Gear Puller in its case, indoors out of children's reach.

Maintenance and Servicing



Procedures not specifically explained in this manual must be performed only by a qualified technician.

CAUTION

TO PREVENT INJURY FROM TOOL FAILURE: Do not use damaged equipment. If abnormal noise or vibration occurs, have the problem corrected before further use.

Cleaning, Maintenance, and Lubrication

1. **BEFORE EACH USE**, inspect the general condition of the Gear Puller. Check for loose screws, misalignment or binding of moving parts, cracked or broken parts, and any other condition which may affect its safe operation.
2. **AFTER USE**, clean external surfaces with clean cloth.
3. Lightly oil the threads and pivoting joints periodically to keep them operating smoothly.
4. Keep Piston (2) in the fully retracted position while in storage to prevent rust or damage.
5. If rust appears on any part of the tool, remove it with a penetrating oil.
6. If the tool fails to perform adequately, the oil level in the system should be checked and air purged from the system, as follows:
Note: This procedure should **ONLY** be performed by a qualified technician.
 - a. Remove the Pump Handle Socket (12) and Hanger Foot (14).
 - b. Using an oil gun, pour oil slowly into the pump housing to overflowing.
 - c. Reassemble, and wipe excess oil from the tool.

PLEASE READ THE FOLLOWING CAREFULLY

THE MANUFACTURER AND/OR DISTRIBUTOR HAS PROVIDED THE PARTS LIST AND ASSEMBLY DIAGRAM IN THIS MANUAL AS A REFERENCE TOOL ONLY. NEITHER THE MANUFACTURER OR DISTRIBUTOR MAKES ANY REPRESENTATION OR WARRANTY OF ANY KIND TO THE BUYER THAT HE OR SHE IS QUALIFIED TO MAKE ANY REPAIRS TO THE PRODUCT, OR THAT HE OR SHE IS QUALIFIED TO REPLACE ANY PARTS OF THE PRODUCT. IN FACT, THE MANUFACTURER AND/OR DISTRIBUTOR EXPRESSLY STATES THAT ALL REPAIRS AND PARTS REPLACEMENTS SHOULD BE UNDERTAKEN BY CERTIFIED AND LICENSED TECHNICIANS, AND NOT BY THE BUYER. THE BUYER ASSUMES ALL RISK AND LIABILITY ARISING OUT OF HIS OR HER REPAIRS TO THE ORIGINAL PRODUCT OR REPLACEMENT PARTS THERETO, OR ARISING OUT OF HIS OR HER INSTALLATION OF REPLACEMENT PARTS THERETO.

Parts List and Diagram

Parts List

| Part | Description | Qty. |
|------|-----------------|------|
| 1 | Jaw | 3 |
| 2 | Piston | 1 |
| 3 | Spring | 1 |
| 4 | Oil Cylinder | 4 |
| 5 | Connector Plate | 6 |
| 6 | Puller Sleeve | 1 |
| 7 | Return Valve | 1 |
| 8 | Nut | 1 |
| 9 | Outer Sleeve | 1 |
| 10 | Amp Axle | 3 |

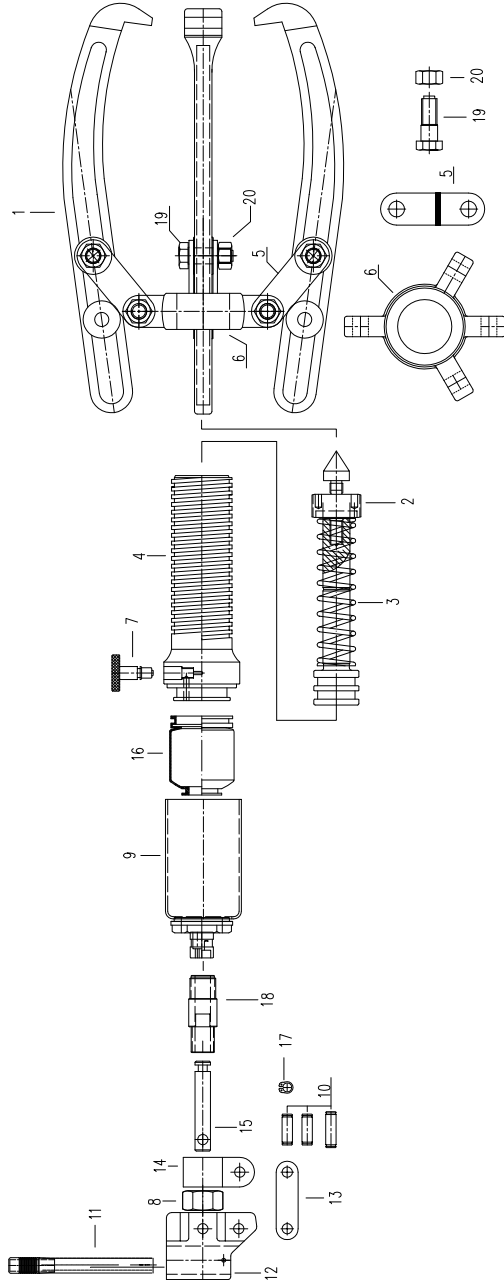
| Part | Description | Qty. |
|------|--------------------|------|
| 11 | Handle | 1 |
| 12 | Pump Handle Socket | 1 |
| 13 | Connecting Rod | 2 |
| 14 | Hanger Foot | 1 |
| 15 | Pump Core | 1 |
| 16 | Oil Reservoir | 1 |
| 17 | Clamp Spring | 6 |
| 18 | Pump Bushing | 1 |
| 19 | Bolt | 6 |
| 20 | Nut | 6 |

Record Product's Serial Number Here: _____

Note: If product has no serial number, record month and year of purchase instead.

Note: Some parts are listed and shown for illustration purposes only, and are not available individually as replacement parts.

Assembly Diagram



Limited 90 Day Warranty

Harbor Freight Tools Co. makes every effort to assure that its products meet high quality and durability standards, and warrants to the original purchaser that this product is free from defects in materials and workmanship for the period of 90 days from the date of purchase. This warranty does not apply to damage due directly or indirectly, to misuse, abuse, negligence or accidents, repairs or alterations outside our facilities, criminal activity, improper installation, normal wear and tear, or to lack of maintenance. We shall in no event be liable for death, injuries to persons or property, or for incidental, contingent, special or consequential damages arising from the use of our product. Some states do not allow the exclusion or limitation of incidental or consequential damages, so the above limitation of exclusion may not apply to you. THIS WARRANTY IS EXPRESSLY IN LIEU OF ALL OTHER WARRANTIES, EXPRESS OR IMPLIED, INCLUDING THE WARRANTIES OF MERCHANTABILITY AND FITNESS.

To take advantage of this warranty, the product or part must be returned to us with transportation charges prepaid. Proof of purchase date and an explanation of the complaint must accompany the merchandise. If our inspection verifies the defect, we will either repair or replace the product at our election or we may elect to refund the purchase price if we cannot readily and quickly provide you with a replacement. We will return repaired products at our expense, but if we determine there is no defect, or that the defect resulted from causes not within the scope of our warranty, then you must bear the cost of returning the product.

This warranty gives you specific legal rights and you may also have other rights which vary from state to state.

PITTSBURGH[®] AUTOMOTIVE