

# Owner's Manual & Safety Instructions

**Save This Manual** Keep this manual for the safety warnings and precautions, assembly, operating, inspection, maintenance and cleaning procedures. Write the product's serial number in the back of the manual near the assembly diagram (or month and year of purchase if product has no number). Keep this manual and the receipt in a safe and dry place for future reference.

ITEM 65115

**1200 LB. CAPACITY**

**HaulMaster®**

## HAND WINCH



Visit our website at: <http://www.harborfreight.com>

REV 14g

Email our technical support at: [productsupport@harborfreight.com](mailto:productsupport@harborfreight.com)

When unpacking, make sure that the product is intact and undamaged. If any parts are missing or broken, please call 1-888-866-5797 as soon as possible.

### **⚠️ WARNING**

Copyright© 2008 by Harbor Freight Tools®. All rights reserved.  
No portion of this manual or any artwork contained herein may be reproduced in any shape or form without the express written consent of Harbor Freight Tools. Diagrams within this manual may not be drawn proportionally. Due to continuing improvements, actual product may differ slightly from the product described herein. Tools required for assembly and service may not be included.

**Read this material before using this product.  
Failure to do so can result in serious injury.  
SAVE THIS MANUAL.**

## **SPECIFICATIONS**

Max. Weight Capacity	1,200 lbs.
Drum Capacity	Strap (Belt): 20'
Overall Dimensions	7-1/8" L x 6-1/2" W x 5-3/4" H (without handle)

## **UNPACKING**

When unpacking, check to make sure that the item is intact and undamaged. If any parts are missing or broken, please call Harbor Freight Tools at the number shown on the cover of this document as soon as possible.

## **IMPORTANT SAFETY INFORMATION**

### **Assembly Precautions**

1. Assemble only according to these instructions. Improper assembly can create hazards.
2. Wear ANSI-approved safety goggles and heavy-duty work gloves during assembly.
3. Keep assembly area clean and well lit.
4. Keep bystanders out of the area during assembly.
5. Do not assemble when tired or when under the influence of drugs or medication.

### **Specific Safety Precautions**

1. Do not exceed 1,200 lb. max. load capacity. **Be aware of dynamic loading!** Suddenly starting or jerking against load may briefly create excess load causing product failure.
2. Make sure Winch is properly bolted to stable and secure structure or vehicle that can support weight of Winch and load being pulled.
3. Secure vehicle in position with emergency brake and wheel chocks before using Winch. Do not put vehicle in park or in gear during use. Refer to vehicle's owner's manual for proper connection points on vehicle.
4. For horizontal pulling only. Do not use for vertical pulling.
5. When attaching load to be pulled, make sure attachment device fits on Hook completely and safety clasp closes properly. Do not pull load if clasp does not fully close.

6. Use proper couplings when connecting Hook to load.
7. Do not oil or grease the Lock Lever any part of the brake mechanism. Apply Lock Lever once load has been moved.
8. Keep hands and body clear of Gear Pinion during use.
9. Do not use inappropriate attachments to extend length of Strap.
10. Do not use to pull people.
11. Do not use for aircraft purposes.
12. Do not stand between Winch and load being pulled during use. Do not step over or under Strap during use.
13. Before mounting, verify that installation surface has no hidden utility lines before drilling or driving screws.
14. Do not attach Hook to load when Strap is fully extended. Keep at least five full turns of Strap on Drum.
15. After moving load with Winch, secure load. Do not use Winch to hold load for extended period of time.
16. Do not move vehicle with Strap extended and attached to load. Strap could snap, causing serious injury and/or property damaged.
17. Wear ANSI-approved safety goggles and heavy-duty work gloves during use and when handling Strap.
18. Inspect before use; do not use if parts are loose or damaged.
19. Re-spool Strap properly in smooth, even pattern.
20. If loading boat onto trailer without keel or side hull rollers, make sure trailer is submerged in water when boat is loaded by Winch. Dragging boat onto trailer while on land can lead to Winch failure and potential personal injury and/or property damage.
21. This product is not a toy. Do not allow children to play with or near this item.
22. Use for intended purpose(s) only.
23. After use, store in secure and dry location out of reach of children.
24. Maintain product labels and nameplates. These carry important safety information.

If unreadable or missing, contact Harbor Freight Tools for a replacement.

---

## ASSEMBLY AND MOUNTING INSTRUCTIONS

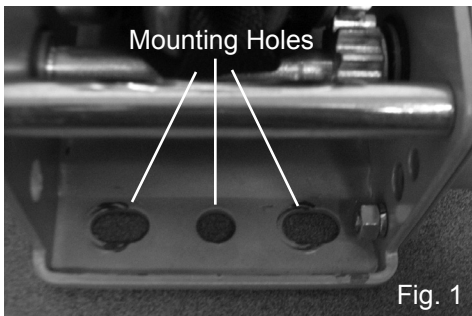
---



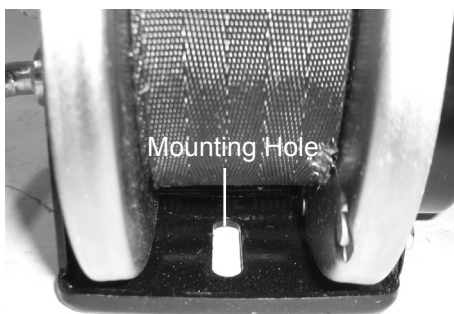
Read the **ENTIRE IMPORTANT SAFETY INFORMATION** section at the beginning of this document including all text under subheadings therein before set up or use of this product.

### Mounting

1. Align the Winch on the vehicle mounting frame (not supplied). Use a marker (not included) to make drill marks through the mounting holes at the front of the Winch and through the mounting slot and the back of Winch.
2. **WARNING!** The Winch should be aligned and secured to a solid and flat part of the vehicle that is able to withstand the weight of Winch and the 1,200 lb. max. load capacity for 65115 Winch and the 2,000 lb. max. load capacity for 98923 Winch.



3. Remove Winch and drill three 5/16" holes for the mounting of the front part of frame. See **Figure 1**, above.

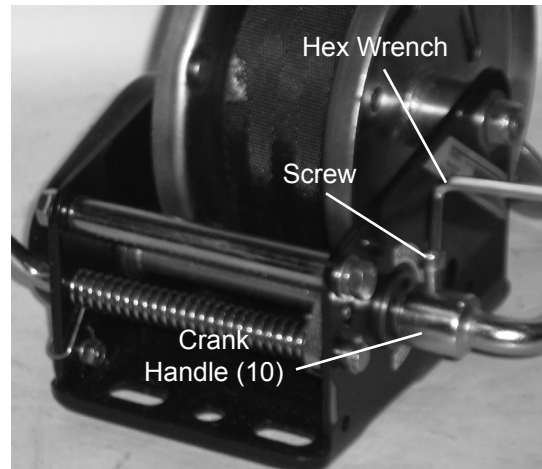


4. Drill 5/16" holes for the mounting slot at the rear part of frame. See **Figure 2**, above.

5. Using the proper hardware, secure Winch to vehicle mounting frame.

### Assembly

1. Use the Screw and Locking Nut to attach Crank Handle to hexagonal head of Gear Pinion.
2. Use the Hex Wrench to tighten the Screw and Locking Nut until Crank Handle is secured in place. See **Figure 3**, below.



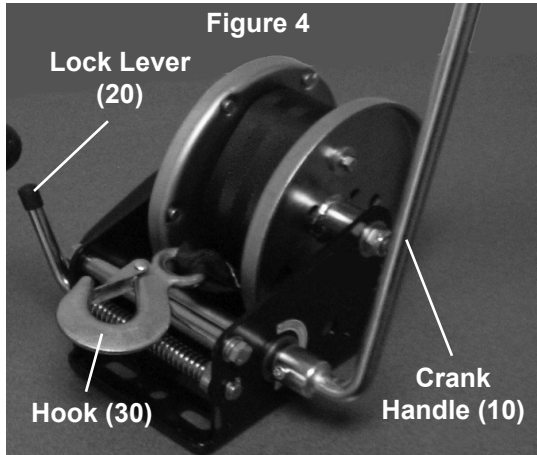
**Figure 3**

---

## OPERATION INSTRUCTIONS

---

1. To wind Belt Strap (29) around Drum (4) or unwind Strap without load, pull Lock Lever (20) out and towards the FRONT of Winch. See **Figure 4**, below. The Drum is now free to turn.



2. Turn Crank Handle (10) clockwise to wind Strap (without load) around Drum. **Please note:** Make sure Crank Handle is fastened securely to side of Winch.
3. To unwind Belt Strap, turn Crank Handle counterclockwise.
4. Once desired length of Strap is reached, use Hook (30) to fasten Winch to load.
5. To lock the Winch in place and move a load, pull Lock Lever out and then towards the BACK of the Winch. This will set the Lock Lever into the Gear Pinion (9).
6. To pull load, turn Crank Handle clockwise. **WARNING!** Make sure load is secure and stable before pulling.
7. **WARNING!** The Pinion must be locked into place before pulling. Otherwise, kickback could occur which can lead to potential property damaged and/or serious personal injury.

---

## MAINTENANCE AND SERVICING

---



Procedures not specifically explained in this manual must be performed only by a qualified technician.

### **⚠️ WARNING**

**TO PREVENT  
SERIOUS INJURY TO  
PREVENT SERIOUS**

**INJURY FROM TOOL FAILURE:**

**Do not use damaged equipment. If abnormal noise or vibration occurs, have the problem corrected before further use.**

---

### **Cleaning and Maintenance,**

1. **BEFORE EACH USE**, inspect the general condition of the Winch. Check for loose screws, misalignment or binding of moving parts, cracked or broken parts and any other condition that may affect its safe operation.
2. **AFTER USE**, clean external surfaces of the appliance with clean, moist cloth.
3. **⚠️ WARNING!** If the **Belt Strap of Winch is damaged, it must be replaced immediately before further use.**

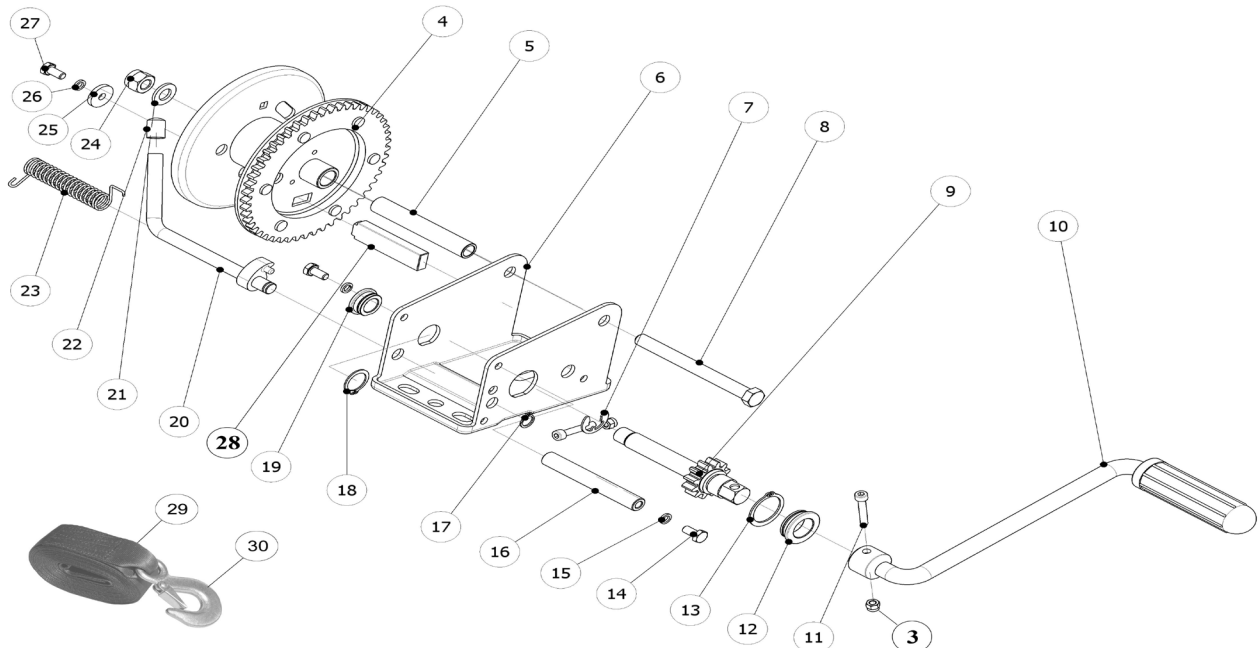
**PLEASE READ THE FOLLOWING CAREFULLY**

THE MANUFACTURER AND/OR DISTRIBUTOR HAS PROVIDED THE PARTS LIST AND ASSEMBLY DIAGRAM IN THIS DOCUMENT AS A REFERENCE TOOL ONLY. NEITHER THE MANUFACTURER OR DISTRIBUTOR MAKES ANY REPRESENTATION OR WARRANTY OF ANY KIND TO THE BUYER THAT HE OR SHE IS QUALIFIED TO MAKE ANY REPAIRS TO THE PRODUCT, OR THAT HE OR SHE IS QUALIFIED TO REPLACE ANY PARTS OF THE PRODUCT. IN FACT, THE MANUFACTURER AND/OR DISTRIBUTOR EXPRESSLY STATES THAT ALL REPAIRS AND PARTS REPLACEMENTS SHOULD BE UNDERTAKEN BY CERTIFIED AND LICENSED TECHNICIANS, AND NOT BY THE BUYER. THE BUYER ASSUMES ALL RISK AND LIABILITY ARISING OUT OF HIS OR HER REPAIRS TO THE ORIGINAL PRODUCT OR REPLACEMENT PARTS THERETO, OR ARISING OUT OF HIS OR HER INSTALLATION OF REPLACEMENT PARTS THERETO.

**65115 HAND WINCH PARTS LIST & ASSEMBLY DIAGRAM**

Part	Description	Qty.
3	Nut (M5)	1
4	Drum	1
5	Retaining Sleeve	1
6	Base	1
7	Circlip (Ø12)	1
8	Bolt (M10 x 105)	1
9	Gear Pinion	1
10	Crank Handle	1
11	Screw (M5 x 30)	1
12	Large Bushing	1
13	Circlip (Ø26)	1
14	Screw (M6 x 12)	2
15	Spring Washer (Ø6)	2
16	Retaining Pinion	1

Part	Description	Qty.
17	Circlip (Ø10)	1
18	Circlip (Ø20)	1
19	Small Bushing	1
20	Lock Lever	1
21	Washer (Ø10)	1
22	Lever Cap	1
23	Torsion Spring	1
24	Lock Nut (M10)	1
25	Washer	1
26	Spring Washer	1
27	Screw (M6 x 12)	1
28	Belt Pin	1
29	Belt	1
30	Hook	1



**Record Serial Number Here:** \_\_\_\_\_

**Note:** If product has no serial number, record month and year of purchase instead.

**Note:** Some parts are listed and shown for illustration purposes only, and are not available individually as replacement parts.

## Limited 90 Day Warranty

Harbor Freight Tools Co. makes every effort to assure that its products meet high quality and durability standards, and warrants to the original purchaser that this product is free from defects in materials and workmanship for the period of 90 days from the date of purchase. This warranty does not apply to damage due directly or indirectly, to misuse, abuse, negligence or accidents, repairs or alterations outside our facilities, criminal activity, improper installation, normal wear and tear, or to lack of maintenance. We shall in no event be liable for death, injuries to persons or property, or for incidental, contingent, special or consequential damages arising from the use of our product. Some states do not allow the exclusion or limitation of incidental or consequential damages, so the above limitation of exclusion may not apply to you. THIS WARRANTY IS EXPRESSLY IN LIEU OF ALL OTHER WARRANTIES, EXPRESS OR IMPLIED, INCLUDING THE WARRANTIES OF MERCHANTABILITY AND FITNESS.

To take advantage of this warranty, the product or part must be returned to us with transportation charges prepaid. Proof of purchase date and an explanation of the complaint must accompany the merchandise. If our inspection verifies the defect, we will either repair or replace the product at our election or we may elect to refund the purchase price if we cannot readily and quickly provide you with a replacement. We will return repaired products at our expense, but if we determine there is no defect, or that the defect resulted from causes not within the scope of our warranty, then you must bear the cost of returning the product.

This warranty gives you specific legal rights and you may also have other rights which vary from state to state.

