

# Owner's Manual & Safety Instructions

**Save This Manual** Keep this manual for the safety warnings and precautions, installation, operating, inspection, maintenance and cleaning procedures. Write the product's serial number in the back of the manual near the assembly diagram (or month and year of purchase if product has no number). Keep this manual and the receipt in a safe and dry place for future reference.

ITEM 66187

**250 LB. CAPACITY**

**HaulMaster®**

**TRUCK**

# LADDER RACK



**Truck and ladder not included.**

**Visit our website at: <http://www.harborfreight.com>**

**Email our technical support at: [tech@harborfreight.com](mailto:tech@harborfreight.com)**

REV 12b

When unpacking, make sure that the product is intact and undamaged. If any parts are missing or broken, please call 1-800-444-3353 as soon as possible.

Copyright© 2008 by Harbor Freight Tools®. All rights reserved.

No portion of this manual or any artwork contained herein may be reproduced in any shape or form without the express written consent of Harbor Freight Tools. Diagrams within this manual may not be drawn proportionally. Due to continuing improvements, actual product may differ slightly from the product described herein.

Tools required for installation and service may not be included.

## **⚠ WARNING**

**Read this material before using this product.  
Failure to do so can result in serious injury.  
SAVE THIS MANUAL.**

## Specifications

Weight Capacity	250 lb.
Arm Width	19"-34"
Rack Height	53"

## Important Safety Information

### Installation Precautions

---

1. Follow DOT regulations regarding installation and use.
2. Verify that installation surface has no hidden utility lines before drilling or driving screws.
3. Install only according to these instructions. Improper installation can create hazards.
4. Wear ANSI-approved safety goggles and heavy-duty work gloves during installation.
5. Keep installation area clean and well lit.
6. Keep bystanders out of the area during installation.
7. Do not install when tired or when under the influence of drugs or medication.
8. Weight capacity and other product capabilities apply to properly and completely installed product only.

### Use Precautions

---

1. Do not exceed listed weight capacity, distributed evenly. **Be aware of dynamic loading!** Sudden load movement may briefly create excess load causing product failure.
2. Strap ladder securely to rack.
3. When expanding the Arm (6), leave at least 2.5" of the tube in the Frame (1).
4. Use as intended only.
5. Inspect before every use; do not use if parts loose or damaged.
6. This product is not a toy. Do not allow children to play with or near this item.
7. Maintain product labels and nameplates. These carry important safety information. If unreadable or missing, contact Harbor Freight Tools for a replacement.

## Installation



Read the **ENTIRE IMPORTANT SAFETY INFORMATION** section at the beginning of this manual including all text under subheadings therein before set up or use of this product.

### **WARNING**

**TO PREVENT SERIOUS INJURY DURING INSTALLATION:**  
Park truck in level, stable location well away from traffic.  
Place transmission in park/neutral and set parking brake.

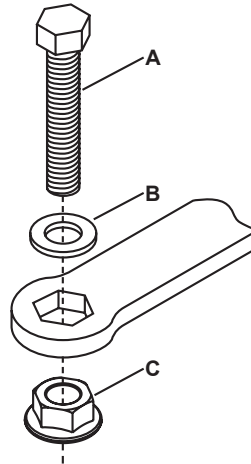
**Note:** For additional information regarding the parts listed in the following pages, refer to *Parts List and Diagram* on page 7.

## Blind Fasteners

Blind Fasteners will need to be installed throughout these instructions.

### To assemble Blind Fastener Installation Tool:

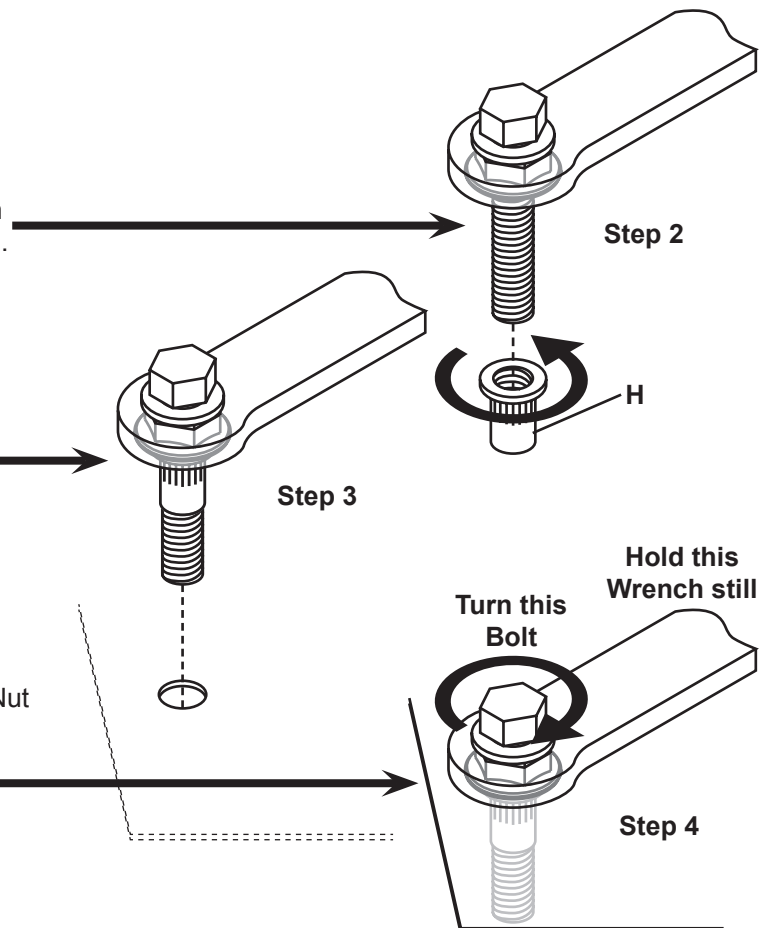
1. Slide Flat Washer (B) over Installation Bolt (A).
2. Place a box end wrench over Unthreaded Installation Nut (C).
3. Place Installation Bolt through Unthreaded Installation Nut, as shown.



**Note:** The Unthreaded Installation Nut (C) is used only to hold the Blind Fastener (H) in place while the Installation Bolt (A) locks it in place.

### To install a Blind Fastener:

1. **WARNING! Verify that installation surface has no hidden brake lines, wiring, or other critical components before drilling.** Drill an 11 mm (0.433") hole in the location the Blind Fastener will be installed.
2. Thread the Blind Fastener (H) onto the Installation Bolt (as part of installation tool) by hand until snug.
3. Insert Blind Fastener (as part of installation tool) so that the flange rests on the lip of the hole.
4. Hold wrench attached to Unthreaded Installation Nut still\* while turning Installation Bolt clockwise with another wrench until Blind Fastener is held securely in place. When finished, unthread Installation Bolt from Blind Fastener.

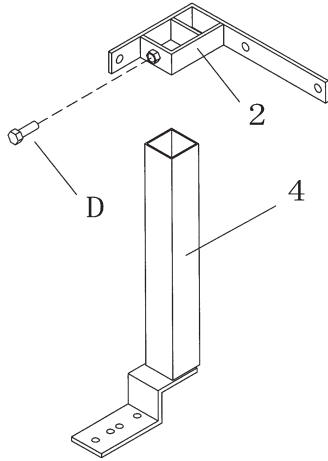


\*Holding this Wrench still helps prevent the Blind Fastener from turning with the Installation Bolt.

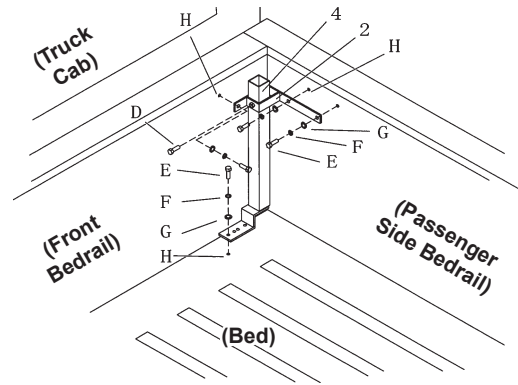
REV 12b

# Front Rack Installation

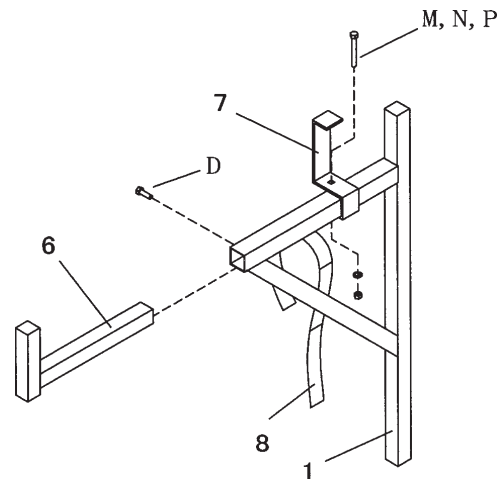
**Note:** The Front Rack is near the truck cab.



1. Slide Front Mounting Bracket (2) over Front Base (4) as shown above. Temporarily secure in place with Jam Bolt (D).
2. Place the Base/Bracket assembly as shown below at the passenger side of the vehicle near the cab. Loosen the Jam Bolt and allow the Base to slide down so the foot rests flat on the truck bed.
3. Mark the bedrail at center of the holes, 3 holes in the side and 1 hole on the truck bed. Any one of the 4 holes in the Base can be used for the truck bed hole. Set the assembly aside.
4. Drill for and install 4 Blind Fasteners (H) in the locations marked in the previous step.

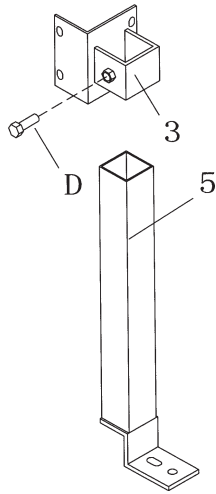


5. Attach the assembly to the Blind Fasteners as shown above using Bolts (E), Washers (F), and Spring Washers (G) - as shown above.

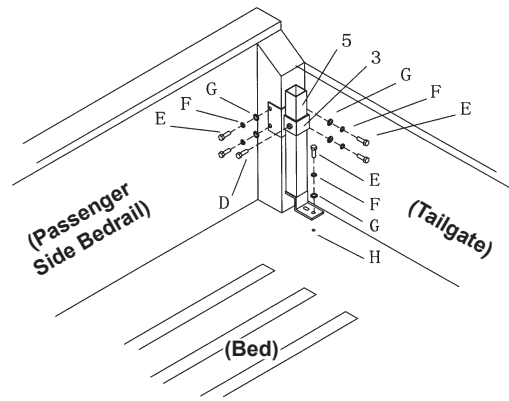


6. Insert Arm (6) into Frame (1) and secure with Jam Bolt (D), as shown above.
7. Attach Ladder Stop (7) to Frame (1) using Carriage Bolt (M), Washer (N), and Nylon Insert Nut (P).
8. Install Strap (8) through the bracket on the Frame (1).
9. Slide the assembled Frame (1) into the Front Base (4).

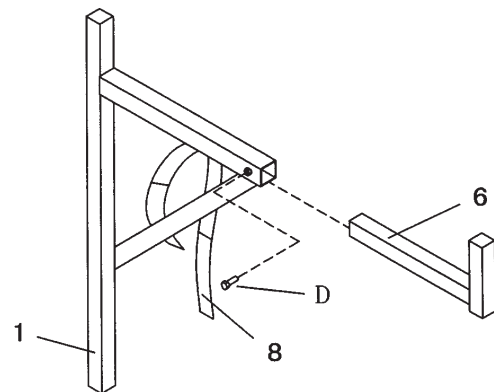
# Rear Rack Installation



1. Slide Rear Mounting Bracket (3) over Rear Base (5) as shown above. Temporarily secure in place with Jam Bolt (D).
2. Place the Base/Bracket assembly as shown below at the passenger side of the vehicle near the tailgate. Loosen the Jam Bolt and allow the Base to slide down so the foot rests flat on the truck bed.
3. Mark the bedrail at center of the holes, 4 holes in the side and 1 hole on the truck bed. Any one of the holes in the Base can be used for the truck bed hole. Set the assembly aside.
4. Drill for and install 5 Blind Fasteners (H) in the locations marked in the previous step.



5. Attach the assembly to the Blind Fasteners as shown above using Bolts (E), Washers (F), and Spring Washers (G) - as shown above.



6. Insert Arm (6) into Frame (1) and secure with Jam Bolt (D), as shown above.
7. Install Strap (8) through the bracket on the Frame (1).
8. Slide the assembled Frame (1) into the Rear Base (5).

## After Installation

1. If desired, a Cleat (9) can be installed on each Frame (1). Place the Cleat in the desired location and mark the holes. Drill 1/4" holes in the locations shown and install the Cleats, using Screws (J), Washers (K), and Nylon Insert Nuts (L).
2. Inspect and test vehicle systems thoroughly, especially lighting and braking systems, to confirm that they were not damaged during installation.

## Operating Instructions



Read the **ENTIRE IMPORTANT SAFETY INFORMATION** section at the beginning of this manual including all text under subheadings therein before set up or use of this product.

1. Measure the width of the ladder to be mounted on top of the Ladder Rack and slide the Arms (6) to fit the ladder allowing no more than 2" of space between ladder and Ladder Rack. Tighten the Jam Bolts (4) securely.
2. Lay the ladder on top of the Frames (1) between the vertical arms and slide it forward until it contacts the Ladder Stop (7).
3. Use the Straps (8) to wrap around ladder rungs and securely hold the ladder in place using hook and loop system attached to Straps.

## Maintenance and Servicing



Procedures not specifically explained in this manual must be performed only by a qualified technician.

### **!WARNING**

**TO PREVENT SERIOUS INJURY FROM RACK FAILURE:**  
Do not use damaged equipment. If abnormal noise or vibration occurs, have the problem corrected before further use.

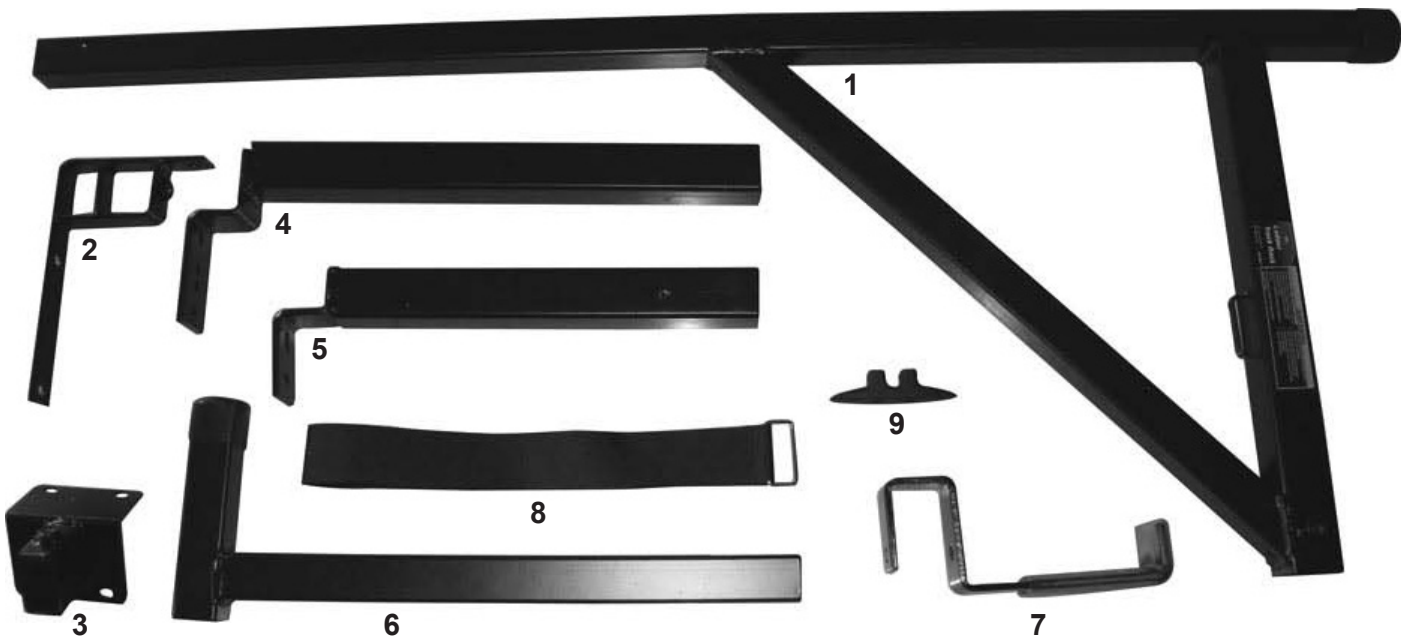
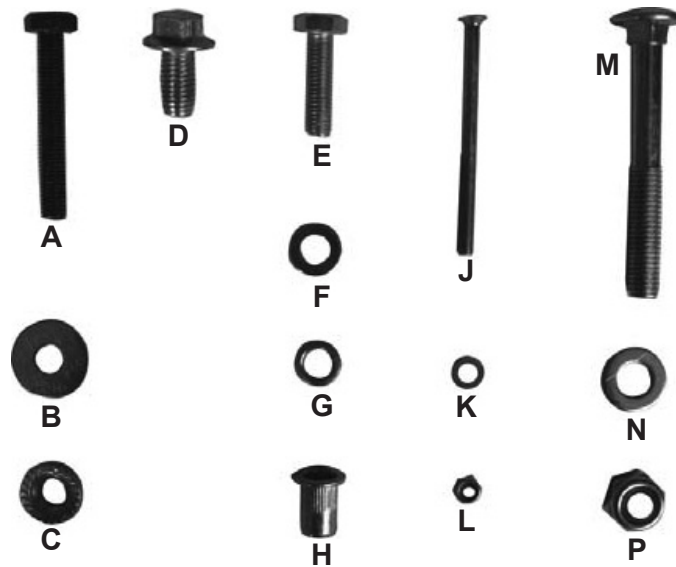
1. **BEFORE EACH USE**, inspect the general condition of the rack. Check for:
  - loose hardware,
  - misalignment or binding of moving parts,
  - cracked or broken parts, and
  - any other condition that may affect its safe operation.
2. **AFTER USE**, wipe external surfaces of the rack with clean cloth.

## Parts List and Diagram

Part	Description	Qty.
A	Installation Bolt M8 x 55 (tool)	1
B	Flat Washer Ø8 (tool)	1
C	Unthreaded Installation Nut (tool)	1
D	Jam Bolt	4
E	Hex Bolt M8 x 30	9
F	Flat Washer Ø8	9
G	Spring Washer Ø8	9
H	Blind Fastener	9
J	Screw M5 x 70	4
K	Flat Washer Ø5	4
L	Nylon Insert Nut M5	4
M	Carriage Bolt M10 x 80	1
N	Flat Washer Ø10	1
P	Nylon Insert Nut M10	1

Part	Description	Qty.
1	Frame	2
2	Front Mounting Bracket	1
3	Rear Mounting Bracket	1
4	Front Base	1
5	Rear Base	1
6	Arm	2
7	Ladder Stop	1
8	Strap	2
9	Cleat	2

**Note:** Some parts are listed and shown for illustration purposes only, and are not available individually as replacement parts.



Record Product's Serial Number Here: \_\_\_\_\_

**Note:** If product has no serial number, record month and year of purchase instead.

## PLEASE READ THE FOLLOWING CAREFULLY

---

THE MANUFACTURER AND/OR DISTRIBUTOR HAS PROVIDED THE PARTS LIST AND ASSEMBLY DIAGRAM IN THIS MANUAL AS A REFERENCE TOOL ONLY. NEITHER THE MANUFACTURER OR DISTRIBUTOR MAKES ANY REPRESENTATION OR WARRANTY OF ANY KIND TO THE BUYER THAT HE OR SHE IS QUALIFIED TO MAKE ANY REPAIRS TO THE PRODUCT, OR THAT HE OR SHE IS QUALIFIED TO REPLACE ANY PARTS OF THE PRODUCT. IN FACT, THE MANUFACTURER AND/OR DISTRIBUTOR EXPRESSLY STATES THAT ALL REPAIRS AND PARTS REPLACEMENTS SHOULD BE UNDERTAKEN BY CERTIFIED AND LICENSED TECHNICIANS, AND NOT BY THE BUYER. THE BUYER ASSUMES ALL RISK AND LIABILITY ARISING OUT OF HIS OR HER REPAIRS TO THE ORIGINAL PRODUCT OR REPLACEMENT PARTS THERETO, OR ARISING OUT OF HIS OR HER INSTALLATION OF REPLACEMENT PARTS THERETO.

### Limited 90 Day Warranty

Harbor Freight Tools Co. makes every effort to assure that its products meet high quality and durability standards, and warrants to the original purchaser that this product is free from defects in materials and workmanship for the period of 90 days from the date of purchase. This warranty does not apply to damage due directly or indirectly, to misuse, abuse, negligence or accidents, repairs or alterations outside our facilities, criminal activity, improper installation, normal wear and tear, or to lack of maintenance. We shall in no event be liable for death, injuries to persons or property, or for incidental, contingent, special or consequential damages arising from the use of our product. Some states do not allow the exclusion or limitation of incidental or consequential damages, so the above limitation of exclusion may not apply to you. THIS WARRANTY IS EXPRESSLY IN LIEU OF ALL OTHER WARRANTIES, EXPRESS OR IMPLIED, INCLUDING THE WARRANTIES OF MERCHANTABILITY AND FITNESS.

To take advantage of this warranty, the product or part must be returned to us with transportation charges prepaid. Proof of purchase date and an explanation of the complaint must accompany the merchandise. If our inspection verifies the defect, we will either repair or replace the product at our election or we may elect to refund the purchase price if we cannot readily and quickly provide you with a replacement. We will return repaired products at our expense, but if we determine there is no defect, or that the defect resulted from causes not within the scope of our warranty, then you must bear the cost of returning the product.

This warranty gives you specific legal rights and you may also have other rights which vary from state to state.

