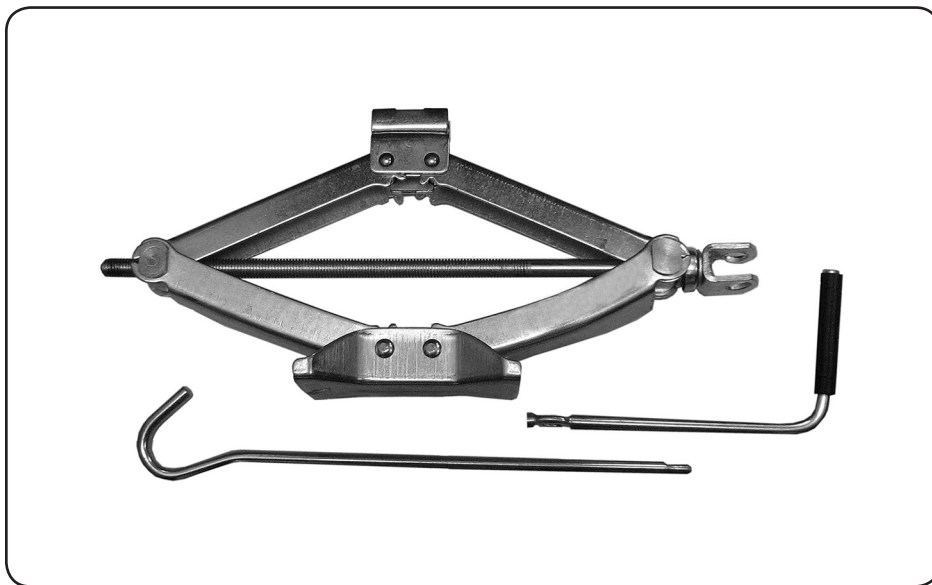


U.S. GENERAL[®]

1-1/2 TON SCISSOR JACK

Model 66907

SET UP AND OPERATING INSTRUCTIONS



Distributed exclusively by Harbor Freight Tools[®].

3491 Mission Oaks Blvd., Camarillo, CA 93011

Visit our website at: <http://www.harborfreight.com>



**Read this material before using this product.
Failure to do so can result in serious injury.
SAVE THIS MANUAL.**

Copyright[®] 2009 by Harbor Freight Tools[®]. All rights reserved. No portion of this manual or any artwork contained herein may be reproduced in any shape or form without the express written consent of Harbor Freight Tools. Diagrams within this manual may not be drawn proportionally. Due to continuing improvements, actual product may differ slightly from the product described herein. Tools required for assembly and service may not be included.

For technical questions or replacement parts, please call 1-800-444-3353.

SAVE THIS MANUAL

Keep this manual for the safety warnings and precautions, assembly, operating, inspection, maintenance and cleaning procedures. Write the product's serial number in the back of the manual near the assembly diagram (or month and year of purchase if product has no number). Keep this manual and the receipt in a safe and dry place for future reference.

IMPORTANT SAFETY INFORMATION

In this manual, on the labeling, and all other information provided with this product:



This is the safety alert symbol. It is used to alert you to potential personal injury hazards. Obey all safety messages that follow this symbol to avoid possible injury or death.

DANGER

DANGER indicates a hazardous situation which, if not avoided, will result in death or serious injury.

WARNING

WARNING indicates a hazardous situation which, if not avoided, could result in death or serious injury.

CAUTION

CAUTION, used with the safety alert symbol, indicates a hazardous situation which, if not avoided, could result in minor or moderate injury.

NOTICE

NOTICE is used to address practices not related to personal injury.

CAUTION

CAUTION, without the safety alert symbol, is used to address practices not related to personal injury.

General Safety Warnings



WARNING Read all safety warnings and instructions. Failure to follow the warnings and instructions may result in serious injury. Save all warnings and instructions for future reference.

1. **Work area safety**
 - a. **Keep work area clean and well lit.** *Cluttered or dark areas invite accidents.*
 - b. **Keep children and bystanders away while operating the Scissor Jack.** *Distractions can cause you to lose control.*
2. **Personal safety**
 - a. **Stay alert, watch what you are doing and use common sense when operating the Scissor Jack.** Do not use while you are tired or under the influence of drugs, alcohol or medication. *A moment of inattention while operating the Scissor Jack may result in serious personal injury.*
 - b. **Do not overreach. Keep proper footing and balance at all times.** *This enables better control of the Scissor Jack in unexpected situations.*

- c. **Dress properly. Do not wear loose clothing or jewelry. Keep your hair, clothing and gloves away from moving parts.** *Loose clothes, jewelry or long hair can be caught in moving parts.*
 - d. **Only use safety equipment that has been approved by an appropriate standards agency.** *Unapproved safety equipment may not provide adequate protection. Eye protection must be ANSI-approved and breathing protection must be NIOSH-approved for the specific hazards in the work area.*
3. **Service**
- a. **Have your Scissor Jack serviced by a qualified repair person using only identical replacement parts.** *This will ensure that the safety of the power tool is maintained.*

Scissor Jack Safety Warnings

- 1. **Rated capacities: 900 lb. extended 6" or more, 1200 lb. extended 8" or more, 1800 lb. extended 10" or more, 3,000 lb. extended 14" or more.**
- 2. **Study, understand, and follow all instructions before operating this device.**
- 3. **Do not exceed rated capacities AT SPECIFIED HEIGHTS.**
- 4. **Do not use if Jack cannot extend at least 6" before lifting the load.**
- 5. **Do not use blocks underneath or above Jack.**
- 6. **Use only on hard, level surface.**
- 7. **Use only for emergency tire changing or mounting tire chains.**
- 8. **Never get beneath the vehicle when it is supported by the Jack.**
- 9. **If vehicle is pushed off Jack, discard Jack. Do not reuse.**
- 10. **Wear ANSI-approved safety goggles and heavy duty work gloves during use.**
- 11. **Keep clear of load while lifting and lowering.**
- 12. **Do not use for aircraft purposes.**
- 13. **Apply parking brake and chock tires before lifting vehicle.**
- 14. **Lift vehicle only at manufacturer's recommended locations.**
- 15. **Inspect before use: do not use if parts are loose or damaged.**
- 16. **Activate the hazard warning flasher, turn off ignition, set parking brake, move automatic shift selector to park position before attempting to jack up car. In case of manual transmission, move gear selector into reverse position. In addition, the wheel diagonally opposite from the wheel being lifted shall be chocked in both directions.**
- 17. **Follow tire changing procedure or tire chain mounting procedure specified in the vehicle manufacturer's owner's manual.**
- 18. **No alterations shall be made to this product.**
- 19. **Never stand on the Jack and never have people or pets in the vehicle you are attempting to raise.**

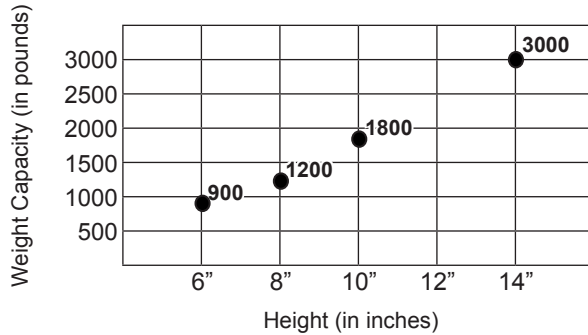
20. Only lift the vehicle until one wheel is off the ground.
21. Keep hands and fingers away from joints or jack interior.
22. Keep children away. Children must never be allowed in the Scissor Jack area. Do not let them handle the Jack at any time.
23. Use the right tool for the job. There are certain applications for which this Scissor Jack was designed. It will do the job better and more safely at the rate for which it was intended. Do not modify this Jack and do not use this Jack for a purpose for which it was not intended.
24. Maintain tools with care. Keep tools clean for better and safer performance. Follow instructions for lubricating and changing accessories.
25. Check for damaged parts. Before using any tool, any part that appears damaged should be carefully checked to determine that it will operate properly and perform its intended function. Check for alignment and binding of moving parts; any broken parts or mounting fixtures; and any other condition that may affect proper operation. Any part that is damaged should be properly repaired or replaced by a qualified technician. If the Upper or Lower Forks are damaged, they need to be replaced, not repaired.
26. Replacement parts and accessories. When servicing, use only identical replacement parts. Use of any other parts will void the warranty. Only use accessories intended for use with this tool. Approved accessories are available from Harbor Freight Tools.
27. Stay alert. Watch what you are doing, use common sense. Do not operate any tool when you are tired.
28. Do not operate tool if under the influence of alcohol, drugs, or medication. Read warning labels if taking prescription medicine to determine if your judgment or reflexes are impaired while taking drugs. If there is any doubt, do not operate the tool.
29. Maintain labels and nameplates on the tool. These carry important safety information. If unreadable or missing, contact Harbor Freight Tools for a replacement.
30. The warnings, precautions, and instructions discussed in this instruction manual cannot cover all possible conditions and situations that may occur. It must be understood by the operator that common sense and caution are factors which cannot be built into this product, but must be supplied by the operator.



**SAVE THESE
INSTRUCTIONS.**

SPECIFICATIONS

Jack Capacity	3000 lb. extended 14" or more 1800 lb. extended 10" or more 1200 lb. extended 8" or more 900 lb. extended 6" or more
Lift Range	6" to 15-1/8"



UNPACKING

When unpacking, make sure that the item is intact and undamaged. If any parts are missing or broken, please call Harbor Freight Tools at 1-800-444-3353 as soon as possible.

COMPONENTS

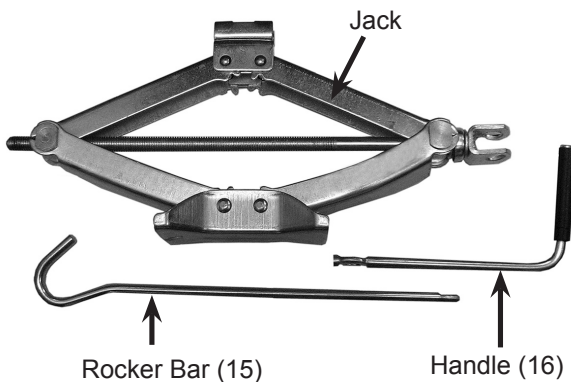


Figure 1

OPERATING INSTRUCTIONS



Read the **ENTIRE IMPORTANT SAFETY INFORMATION** section at the beginning of this manual including all text under subheadings therein before set up or use of this product.

Tool Set Up

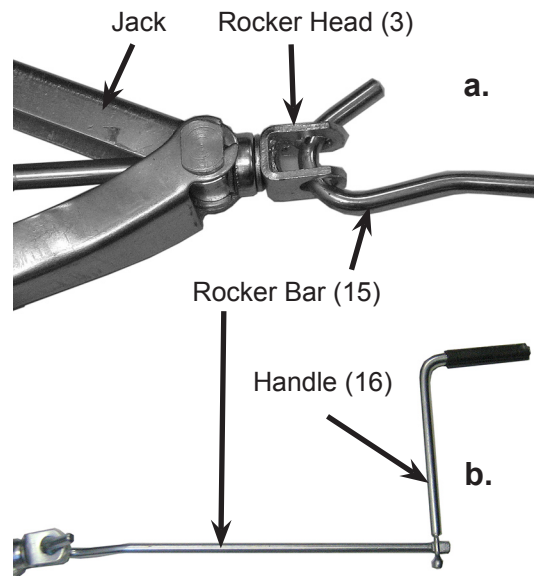


Figure 2

To assemble the Handle (16) and Rocker Bar (15):

- Slide the hooked end of the Rocker Bar (15) into the holes in the Rocker Head (3).
- Attach Handle (16) to the flat end of the Rocker Bar (15).

GENERAL OPERATING INSTRUCTIONS



WARNING TO PREVENT SERIOUS INJURY:

Park the vehicle on a flat, level, solid surface, safely away from oncoming traffic. Turn off the vehicle engine. Place the transmission in Park (if automatic) or in reverse (if manual). Set the emergency brake.

1. Assemble the Handle (16) and Rocker Bar (15) - See Tool Set up for assembly.
2. If the Jack is not fully collapsed, lower the Jack so that it will easily slide under the vehicle.
3. Chock the wheels opposite the wheel to be removed.
4. To make it easier to remove the wheel's lug nuts. Slightly loosen the lug nuts prior to raising the wheel.
5. Slide the Jack under the vehicle near the wheel being removed.

IMPORTANT: The Scissor Jack is designed for use on vehicle's with frame seams capable of sustaining rated capacity loads. Carefully position the Scissor Jack under the vehicle manufacturer's recommended lift point.

6. Rotate the Handle (16) clockwise, raising the Jack. Continue rotating the Handle until the vehicle is raised enough so the wheel is approximately 1" off the ground.
7. Remove the lug nuts from the vehicle's wheel. Remove the wheel, and replace it with the spare wheel (not

included). Replace and tighten all the lug nuts onto the wheel.

8. Remove the old wheel, tools and any other objects from under the vehicle.
9. Rotate the Handle (16) counterclockwise to lower the Jack.
10. Continue rotating the Handle until the Jack is completely collapsed to the ground
11. Double check and re-tighten the wheel lugs.
12. Remove the Jack.

MAINTENANCE AND SERVICING



Procedures not specifically explained in this manual must be performed only by a qualified technician.

⚠️ WARNING

**TO PREVENT
SERIOUS INJURY**

FROM TOOL FAILURE:

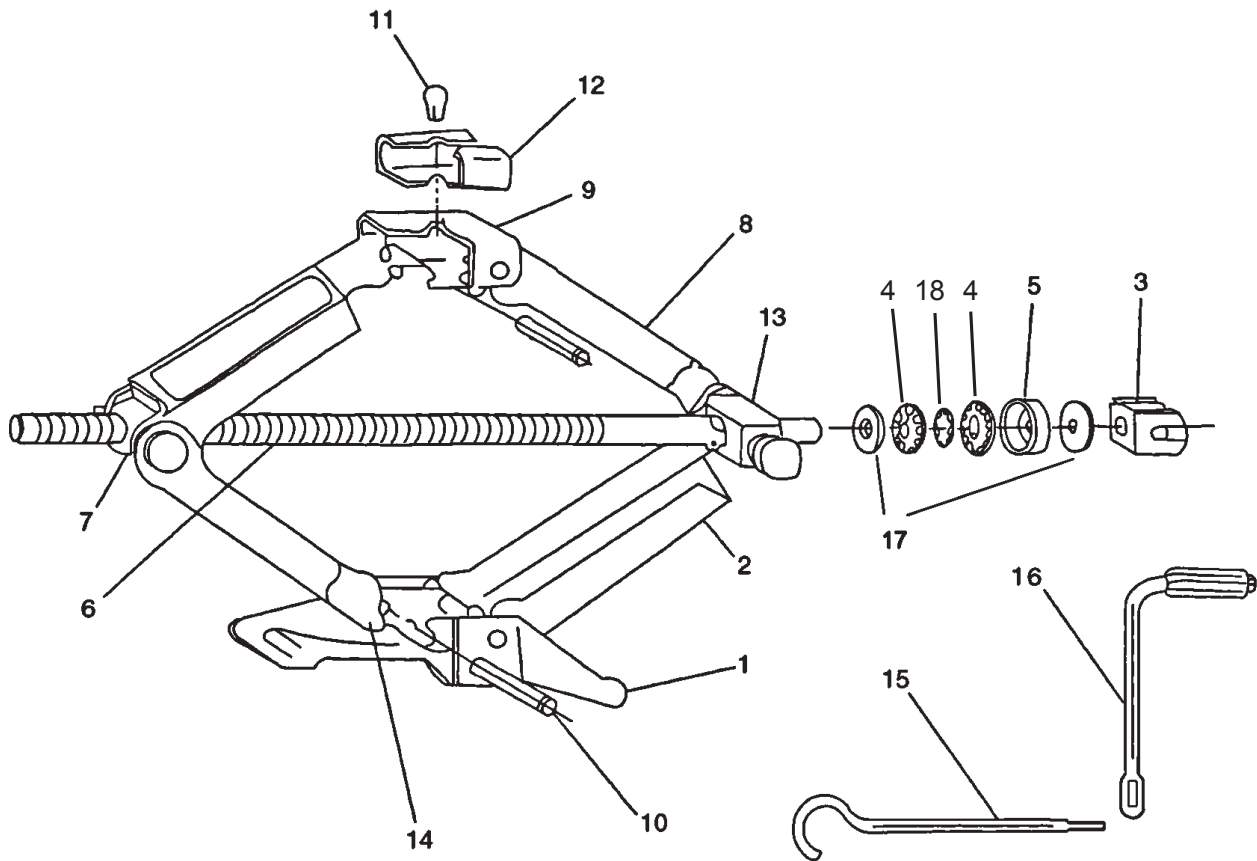
**Do not use damaged
equipment.**

1. **BEFORE EACH USE**, inspect the general condition of the tool. Check for loose hardware, misalignment or binding of moving parts, cracked or broken parts, and any other condition that may affect its safe operation. If anything is found, do not use the Jack. Have it repaired or replaced.
2. **AFTER USE**, wipe external surfaces of the tool with clean cloth.
3. Keep the Scissor Jack clean and dry.
4. Lubricate the threads of the Spindle Rod (6) of the Jack with high quality light weight oil (not included). Keeping the Screw Rod well oiled and free of rust will avoid the jack binding during use.

PARTS LIST & DIAGRAM

Part	Description	Qty
1	Base	1
2	Lower Fork	2
3	Rocker Head	1
4	Bearing Pad	2
5	Bearing Pad Cap	1
6	Spindle Rod	1
7	Supporting Axle	1
8	Upper Fork	2
9	Jacking Head Seat	1

Part	Description	Qty
10	Rivet	4
11	Jacking Head Rivet	1
12	Jacking Head	1
13	Nut	1
14	Under Fork Gear	2
15	Rocker Bar	1
16	Handle	1
17	Washer	2
18	Flat Bearing Set	1



PLEASE READ THE FOLLOWING CAREFULLY

THE MANUFACTURER AND/OR DISTRIBUTOR HAS PROVIDED THE PARTS LIST AND ASSEMBLY DIAGRAM IN THIS MANUAL AS A REFERENCE TOOL ONLY. NEITHER THE MANUFACTURER OR DISTRIBUTOR MAKES ANY REPRESENTATION OR WARRANTY OF ANY KIND TO THE BUYER THAT HE OR SHE IS QUALIFIED TO MAKE ANY REPAIRS TO THE PRODUCT, OR THAT HE OR SHE IS QUALIFIED TO REPLACE ANY PARTS OF THE PRODUCT. IN FACT, THE MANUFACTURER AND/OR DISTRIBUTOR EXPRESSLY STATES THAT ALL REPAIRS AND PARTS REPLACEMENTS SHOULD BE UNDERTAKEN BY CERTIFIED AND LICENSED TECHNICIANS, AND NOT BY THE BUYER. THE BUYER ASSUMES ALL RISK AND LIABILITY ARISING OUT OF HIS OR HER REPAIRS TO THE ORIGINAL PRODUCT OR REPLACEMENT PARTS THERETO, OR ARISING OUT OF HIS OR HER INSTALLATION OF REPLACEMENT PARTS THERETO.

Record Product's Serial Number Here: _____

Note: If product has no serial number, record month and year of purchase instead.

Note: Some parts are listed and shown for illustration purposes only, and are not available individually as replacement parts.

LIMITED 90 DAY WARRANTY

Harbor Freight Tools Co. makes every effort to assure that its products meet high quality and durability standards, and warrants to the original purchaser that this product is free from defects in materials and workmanship for the period of 90 days from the date of purchase. This warranty does not apply to damage due directly or indirectly, to misuse, abuse, negligence or accidents, repairs or alterations outside our facilities, criminal activity, improper installation, normal wear and tear, or to lack of maintenance. We shall in no event be liable for death, injuries to persons or property, or for incidental, contingent, special or consequential damages arising from the use of our product. Some states do not allow the exclusion or limitation of incidental or consequential damages, so the above limitation of exclusion may not apply to you. THIS WARRANTY IS EXPRESSLY IN LIEU OF ALL OTHER WARRANTIES, EXPRESS OR IMPLIED, INCLUDING THE WARRANTIES OF MERCHANTABILITY AND FITNESS.

To take advantage of this warranty, the product or part must be returned to us with transportation charges prepaid. Proof of purchase date and an explanation of the complaint must accompany the merchandise. If our inspection verifies the defect, we will either repair or replace the product at our election or we may elect to refund the purchase price if we cannot readily and quickly provide you with a replacement. We will return repaired products at our expense, but if we determine there is no defect, or that the defect resulted from causes not within the scope of our warranty, then you must bear the cost of returning the product.

This warranty gives you specific legal rights and you may also have other rights which vary from state to state.

3491 Mission Oaks Blvd. • PO Box 6009 • Camarillo, CA 93011 • (800) 444-3353