



## 5" Multi-Purpose Vise

---

Item 67415

### **⚠ WARNING**

Read this material before using this product.  
Failure to do so can result in serious injury.  
**SAVE THIS MANUAL.**



When unpacking, make sure that the product is intact and undamaged.  
If any parts are missing or broken, please call 1-800-444-3353 as soon as possible.

Visit our website at: <http://www.harborfreight.com>  
Email our technical support at: [tech@harborfreight.com](mailto:tech@harborfreight.com)

Copyright© 1997 by Harbor Freight Tools®. All rights reserved. No portion of this manual or any artwork contained herein may be reproduced in any shape or form without the express written consent of Harbor Freight Tools. Diagrams within this manual may not be drawn proportionally. Due to continuing improvements, actual product may differ slightly from the product described herein. Tools required for assembly and service may not be included.

Revised Manual 11f

---

## SAVE THIS MANUAL

---

Keep this manual for the safety warnings and precautions, assembly, operating, inspection, maintenance and cleaning procedures. Write the product's serial number in the back of the manual near the assembly diagram (or month and year of purchase if product has no number). Keep this manual and the receipt in a safe and dry place for future reference.

---

## IMPORTANT SAFETY INFORMATION

---

In this manual, on the labeling, and all other information provided with this product:



**WARNING** Read all safety warnings and instructions. *Failure to follow the warnings and instructions may result in electric shock, fire and/or serious injury.*

1. **Work area safety**
  - a. **Keep work area clean and well lit.** *Cluttered or dark areas invite accidents.*
  - b. **Keep children and bystanders away while operating the Vise.** *Distractions can cause you to lose control.*
2. **Personal safety**
  - a. **Stay alert, watch what you are doing and use common sense when operating the Vise. Do not use while you are tired or under the influence of drugs, alcohol or medication.** *A moment of inattention while operating the Vise may result in serious personal injury.*
  - b. **Use safety equipment. Always wear ANSI-approved eye protection.** *Safety equipment such as dust mask, non-skid safety shoes, hard hat, or hearing protection used for appropriate conditions will reduce the chance of personal injuries.*
  - c. **Keep hands clear of Jaws.**
  - d. **Do not overreach. Keep proper footing and balance at all times.** *This enables better control of the tool in unexpected situations.*
  - e. **Dress properly. Do not wear loose clothing or jewelry. Keep your hair, clothing and gloves away from moving parts.** *Loose clothes, jewelry or long hair can be caught in moving parts.*

3. **Tool use and care**
  - a. **Do not force the tool. Use the correct tool for your application.** Do not use additional leverage for tightening jaw grip. If required, use a larger size vise.
  - b. **Maintain tools. Check for misalignment or binding of moving parts, breakage of parts and any other condition that may affect the tool's operation. If damaged, have the tool repaired before use.** *Many accidents are caused by poorly maintained tools.*
  - c. **Use the tool in accordance with these instructions, taking into account the working conditions and the work to be performed.** *Use of the tool for operations different from those intended could result in a hazardous situation.*
4. **Service**
  - a. **Have your tool serviced by a qualified repair person using only identical replacement parts.** *This will ensure that the safety of the tool is maintained.*

---

### Vise Safety Warnings

---

1. Maintain labels and nameplates on the tool. These carry important safety information. If unreadable or missing, contact Harbor Freight Tools for a replacement.
2. This product is not a toy. Keep it out of reach of children.
3. Do not strike Vise with hardened tool. Inspect before use; discard if chipped.
4. Secure the Vise with appropriate hardware (not supplied) before use.
5. The anvil is used for light forming applications. For heavier jobs use a full size vise.
6. The warnings, precautions, and instructions discussed in this instruction manual cannot cover all possible conditions and situations that may occur. It must be understood by the operator that common sense and caution are factors which cannot be built into this product, but must be supplied by the operator.



**SAVE THESE INSTRUCTIONS.**

---

## SPECIFICATIONS

---

Jaw Throat Depth	3 IN.
Pipe Jaw Capacity	2 IN.
Swivel Capacity	360°

---

## INSTRUCTIONS FOR PUTTING INTO USE

---



Read the **ENTIRE IMPORTANT SAFETY INFORMATION** section at the beginning of this manual including all text under subheadings therein before set up or use of this product.

**Note:** For additional information regarding the parts listed, refer to the Assembly Diagram near the end of this manual.

1. Vise must be mounted on a solid, level surface capable of supporting combined weight of Vise, intended workpieces, and applicable forces.
2. Use the holes in the base of the Vise as a template to mark the bench surface. Verify that the installation surface has no hidden utility lines before drilling or driving screws. Drill holes and attach the Vise firmly to the work surface with appropriate hardware (1/2" lug bolts or hexagonal bolts, flat washers, and self locking hex nuts, all sold separately).

---

## OPERATION

---

1. Turn the Base Lock Bar (1) to open the Jaws (3, 6) and place the workpiece between them.
2. Loosen Lock Screws (7) and rotate the Vise to the best orientation for the job. A choice of three jaws are available: straight Jaws, Pipe Jaws or the V-Jaws. Tighten the Locking Bolt (17) to secure the Vise before starting any work.
3. Close the Jaws until the workpiece is held securely. Do not overtighten the Jaws. Overtightening the Jaws could damage the workpiece. Use soft jaws when necessary to prevent damage to the workpiece. The orientation of the Jaws will become fixed after the handle is tightened.

---

## MAINTENANCE AND SERVICING

---



Procedures not specifically explained in this manual must be performed only by a qualified technician.

1. **BEFORE EACH USE**, inspect the general condition of the tool. Check for misalignment or binding of moving parts, cracked or broken parts and any other condition that may affect its safe operation.
2. **AFTER USE**, clean external surfaces of the tool with clean cloth.
3. Lubricate the moving parts of the Vise periodically with a high quality machine oil.
4. In moderate to extensive use or when foreign particles accumulate on the Faceplate Screws (5) or Cut Jaw Screws (15), take the Vise apart, thoroughly clean all components, re-assemble and properly lubricate.

---

### Replacing the Jaws

To replace straight or V-jaws, insert a screwdriver or wrench to remove the securing screws. For added security, Attach and tighten the new jaws with the same screws.

---

### PLEASE READ THE FOLLOWING CAREFULLY

THE MANUFACTURER AND/OR DISTRIBUTOR HAS PROVIDED THE PARTS LIST AND ASSEMBLY DIAGRAM IN THIS MANUAL AS A REFERENCE TOOL ONLY. NEITHER THE MANUFACTURER OR DISTRIBUTOR MAKES ANY REPRESENTATION OR WARRANTY OF ANY KIND TO THE BUYER THAT HE OR SHE IS QUALIFIED TO MAKE ANY REPAIRS TO THE PRODUCT, OR THAT HE OR SHE IS QUALIFIED TO REPLACE ANY PARTS OF THE PRODUCT. IN FACT, THE MANUFACTURER AND/OR DISTRIBUTOR EXPRESSLY STATES THAT ALL REPAIRS AND PARTS REPLACEMENTS SHOULD BE UNDERTAKEN BY CERTIFIED AND LICENSED TECHNICIANS, AND NOT BY THE BUYER. THE BUYER ASSUMES ALL RISK AND LIABILITY ARISING OUT OF HIS OR HER REPAIRS TO THE ORIGINAL PRODUCT OR REPLACEMENT PARTS THERETO, OR ARISING OUT OF HIS OR HER INSTALLATION OF REPLACEMENT PARTS THERETO.

**Record Product's Serial Number Here:**

---

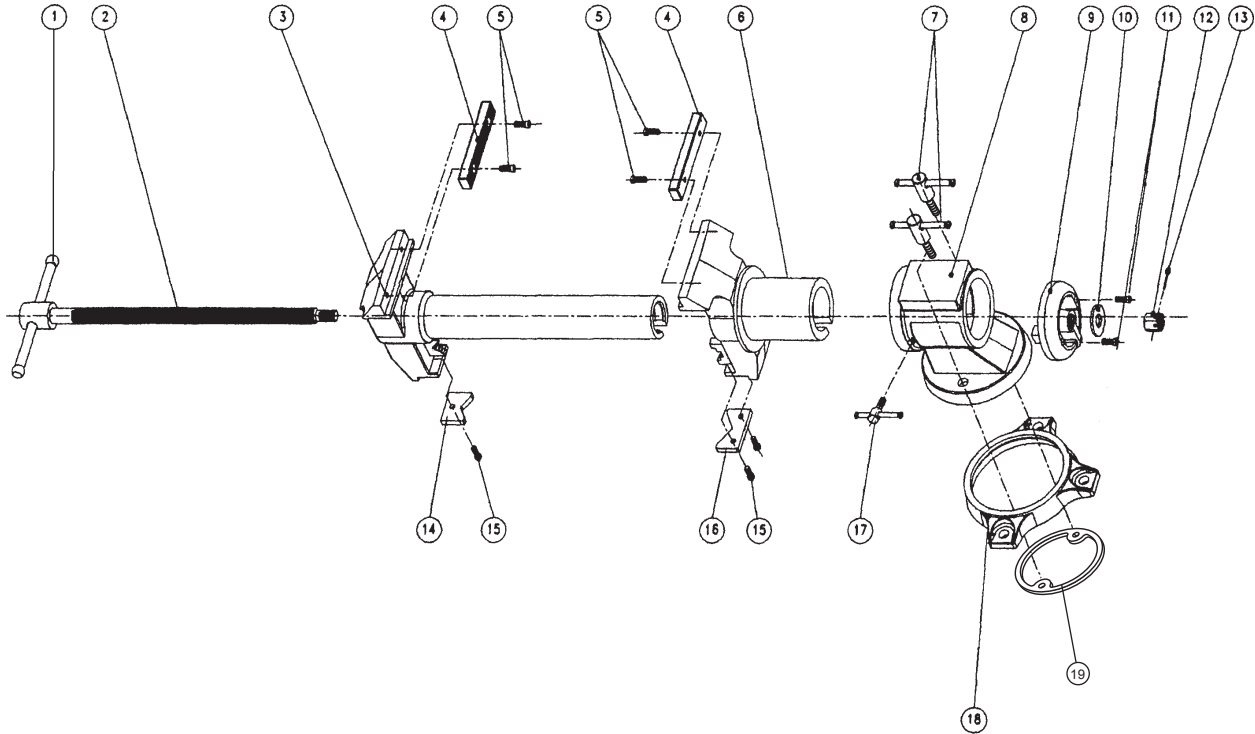
**Note:** If product has no serial number, record month and year of purchase instead.

**Note:** Some parts are listed and shown for illustration purposes only, and are not available individually as replacement parts.

# PARTS LIST

Part	Description	Qty
1	Base Lock Bar	1
2	Vise Screw	1
3	Adjusting Jaw	1
4	Jaw Faceplate	2
5	Faceplate Screw	4
6	Back Jaw	1
7	Lock Screw	2
8	Housing	1
9	Screw Cap	1
10	Washer	1

Part	Description	Qty
11	Cap Screw	2
12	Nut	1
13	Locking Pin	1
14	Outer Cut Jaw	1
15	Cut Jaw Screw	3
16	Inner Cut Jaw	1
17	Locking Bolt	1
18	Base	1
19	Rotation Collar	1



## LIMITED 90 DAY WARRANTY

Harbor Freight Tools Co. makes every effort to assure that its products meet high quality and durability standards, and warrants to the original purchaser that this product is free from defects in materials and workmanship for the period of 90 days from the date of purchase. This warranty does not apply to damage due directly or indirectly, to misuse, abuse, negligence or accidents, repairs or alterations outside our facilities, criminal activity, improper installation, normal wear and tear, or to lack of maintenance. We shall in no event be liable for death, injuries to persons or property, or for incidental, contingent, special or consequential damages arising from the use of our product. Some states do not allow the exclusion or limitation of incidental or consequential damages, so the above limitation of exclusion may not apply to you. THIS WARRANTY IS EXPRESSLY IN LIEU OF ALL OTHER WARRANTIES, EXPRESS OR IMPLIED, INCLUDING THE WARRANTIES OF MERCHANTABILITY AND FITNESS.

To take advantage of this warranty, the product or part must be returned to us with transportation charges prepaid. Proof of purchase date and an explanation of the complaint must accompany the merchandise. If our inspection verifies the defect, we will either repair or replace the product at our election or we may elect to refund the purchase price if we cannot readily and quickly provide you with a replacement. We will return repaired products at our expense, but if we determine there is no defect, or that the defect resulted from causes not within the scope of our warranty, then you must bear the cost of returning the product.

This warranty gives you specific legal rights and you may also have other rights which vary from state to state.

**3491 Mission Oaks Blvd. • PO Box 6009  
Camarillo, CA 93011 • (800) 444-3353**