



# SOLAR FLAGPOLE LIGHT

## Model 67439

### INSTRUCTIONS AND PRECAUTIONS



3491 Mission Oaks Blvd., Camarillo, CA 93011

Visit our website at: <http://www.harborfreight.com>



## SAVE THESE INSTRUCTIONS. READ ALL PRECAUTIONS AND INSTRUCTIONS.

Copyright© 2009 by Harbor Freight Tools®. All rights reserved. No portion of this document or any artwork contained herein may be reproduced in any shape or form without the express written consent of Harbor Freight Tools. Diagrams within this document may not be drawn proportionally. Due to continuing improvements, actual product may differ slightly from the product described herein. Tools required for assembly and service may not be included.

**For technical questions or replacement parts, please call 1-800-444-3353.**

### SPECIFICATIONS

Battery Type	(2) AAA 1.2V Rechargeable NiCd (Included)
Charge Time	2 Hrs. (6 Hrs. for first use)
Running Time	8 Hrs.
Pole Mounting Dimensions	9-3/4" L x 4-3/8" W x 2-3/4" T
Activation	Auto turn-on at dusk / shut-off at dawn

### UNPACKING

When unpacking, make sure that the item is intact and undamaged. If any parts are missing or broken, please call Harbor Freight Tools at the number shown on the cover of this document as soon as possible.

### IMPORTANT SAFETY INFORMATION

1. Assemble only according to these instructions. Improper assembly can create hazards.

2. Do not hang anything from or on light after installing.
3. Verify Pole Clamps are securely tightened. Do not use if Clamps are damaged.
4. Wear ANSI-approved safety goggles and heavy-duty work gloves during set-up.
5. Setup at locations with plenty of sunlight.
6. Do not assemble when tired or when under the influence of drugs or medication.
7. This product is not a toy. Do not allow children to play with or near this item.
8. Use as intended only.
9. Inspect before every use; do not use if parts are loose or damaged.
10. Maintain product labels and nameplates. These carry important safety information. If unreadable or missing, contact Harbor Freight Tools for a replacement.

2. Batteries should not be recharged by any means other than the Solar Light's automatic recharging system.
3. Loosen the head screws on the two Clamp Supports (3) and open the Clamps.
4. Slide the Clamps around the flagpole at the desired height, making sure that the Spotlight faces the flag and that the Solar Panel Cover is in direct sunlight .
5. Tighten the Clamps until the Light is securely fastened to the flagpole.
6. Slide the Spotlight Switch to ON
7. The Solar Light is now set to work. Sunlight will recharge the Battery during daylight hours.

---

## ASSEMBLY INSTRUCTIONS

---



Read the **ENTIRE IMPORTANT SAFETY INFORMATION** section at the beginning of this document including all text under subheadings therein before set up or use of this product.

### Assembly

1. There is no assembly; only set-up is required.
2. There may be a paper tab between the Batteries (5) and the electrical contact so the Battery won't drain over time. Remove tab before setup.
  - a. The Solar Panel Cover (2) will have to be removed using a small Phillips-head screw driver and the paper tab pulled out so the electrical connection is made. See the Parts Diagram on page 3 for reference.

**Caution:** Be careful that the wire connecting the Spotlight Assembly (1) is not pulled and disconnected. (See Parts Diagram on page 3.)

3. Screw the Solar Panel Cover back on.

---

## OPERATION

---

1. The Solar Flagpole Light must be setup in direct sunlight and charged for 6 hours before first use. This will give approximately 8 hours of running time.

---

## MAINTENANCE/REPAIR

---

### Battery Replacement

1. Replace the rechargeable batteries at least every 12 months.
  - a. Requires a small Phillips-head screwdriver.
2. Loosen the Clamps and remove the Light from the flagpole.
3. Place the Light down on a soft non-scratch surface with the LED Bulb facing upward.
4. Slide the Spotlight power switch to "Off".
5. Unscrew the Solar Panel Cover from the Battery Housing. **CAUTION!** Use care when removing batteries so as to NOT to disconnect the wire between the Battery Housing and the Spotlight.
6. Remove and properly recycle old Batteries.

**WARNING:** NiCd batteries must be disposed of properly. Do not incinerate. Batteries could explode causing personal injury and/or property damage. Contact local hazardous waste disposal authority for proper disposal.

7. Replace with the same type and rating of Batteries (AAA 1.2V NiCad).
8. Install the new Batteries, making sure the follow the indicated polarity.
9. Screw the Solar Panel Cover back over the Battery Housing.

---

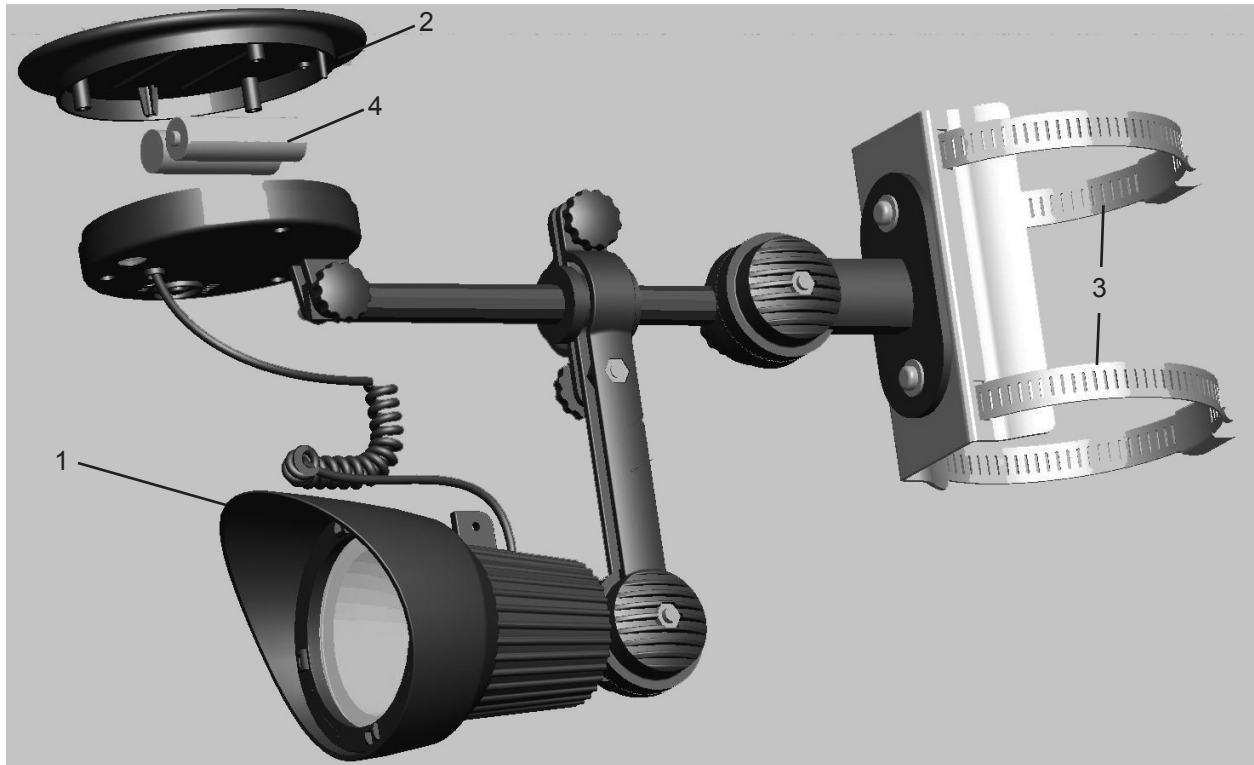
---

## PARTS LIST & ASSEMBLY DIAGRAM

---

---

PARTS LIST		
Parts	Description	Qty
1	Spotlight Assembly	1
2	Solar Panel Cover	1
3	Clamps	2
4	AAA 1.2V Battery	2



### PLEASE READ THE FOLLOWING CAREFULLY

THE MANUFACTURER AND/OR DISTRIBUTOR HAS PROVIDED THE PARTS LIST AND ASSEMBLY DIAGRAM IN THIS DOCUMENT AS A REFERENCE TOOL ONLY. NEITHER THE MANUFACTURER OR DISTRIBUTOR MAKES ANY REPRESENTATION OR WARRANTY OF ANY KIND TO THE BUYER THAT HE OR SHE IS QUALIFIED TO MAKE ANY REPAIRS TO THE PRODUCT, OR THAT HE OR SHE IS QUALIFIED TO REPLACE ANY PARTS OF THE PRODUCT. IN FACT, THE MANUFACTURER AND/OR DISTRIBUTOR EXPRESSLY STATES THAT ALL REPAIRS AND PARTS REPLACEMENTS SHOULD BE UNDERTAKEN BY CERTIFIED AND LICENSED TECHNICIANS, AND NOT BY THE BUYER. THE BUYER ASSUMES ALL RISK AND LIABILITY ARISING OUT OF HIS OR HER REPAIRS TO THE ORIGINAL PRODUCT OR REPLACEMENT PARTS THERETO, OR ARISING OUT OF HIS OR HER INSTALLATION OF REPLACEMENT PARTS THERETO.

**Record Serial Number Here:** \_\_\_\_\_

**Note:** If product has no serial number, record month and year of purchase instead.

**Note:** Some parts are listed and shown for illustration purposes only, and are not available individually as replacement parts.