

Owner's Manual & Safety Instructions

Save This Manual Keep this manual for the safety warnings and precautions, assembly, operating, inspection, maintenance and cleaning procedures. Write the product's serial number in the back of the manual near the assembly diagram (or month and year of purchase if product has no number). Keep this manual and the receipt in a safe and dry place for future reference.

201

WARRIOR™

14 PC. BI-METAL HOLE SAW SET



3/4", 7/8", 1-1/8", 1-3/8", 1-1/2", 1-3/4",
2", 2-1/8", 2-1/4", 2-1/2" Hole Saws

Spare Pilot Drill

Large Mandrel

Small Mandrel with Medium Adapter

Blow Molded Case

Visit our website at: <http://www.harborfreight.com>

Email our technical support at: productsupport@harborfreight.com

68113

When unpacking, make sure that the product is intact and undamaged. If any parts are missing or broken, please call 1-888-866-5797 as soon as possible.

Copyright© 2011 by Harbor Freight Tools®. All rights reserved.

No portion of this manual or any artwork contained herein may be reproduced in any shape or form without the express written consent of Harbor Freight Tools. Diagrams within this manual may not be drawn proportionally. Due to continuing improvements, actual product may differ slightly from the product described herein. Tools required for assembly and service may not be included.

⚠ WARNING

Read this material before using this product. Failure to do so can result in serious injury. SAVE THIS MANUAL.

IMPORTANT SAFETY INFORMATION

1. **Wear ANSI-approved safety goggles and heavy-duty work gloves during setup and use.**
2. **Set contains sharp blades.** Keep away from children.
3. **Use correct size arbor for selected Hole Saw.**
4. **Verify drill's chuck is in good condition and fits securely.**
5. **Do not use excessive pressure when cutting a hole.**
6. **Use as intended only; do not modify tools.**
7. **Inspect before every use; do not use if parts are loose or damaged.**
8. **Use both hands when drilling and keep blade at 90° to workpiece.**
9. **Store saw blades in Case in secure location away from children.**
10. **Read and adhere to all safety warnings and operating instructions of drill used with Set.**
11. **The warnings, cautions, and instructions discussed in this instruction manual cannot cover all possible conditions and situations that may occur.** It must be understood by the operator that common sense and caution are factors which cannot be built into this product, but must be supplied by the operator.



SAVE THESE INSTRUCTIONS.

SETUP

CAUTION

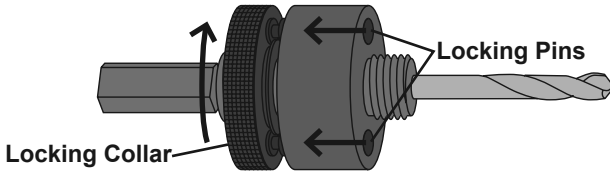
TO PREVENT INJURY:

Wear heavy-duty work gloves and ANSI-approved safety goggles during setup and whenever handling the saws.

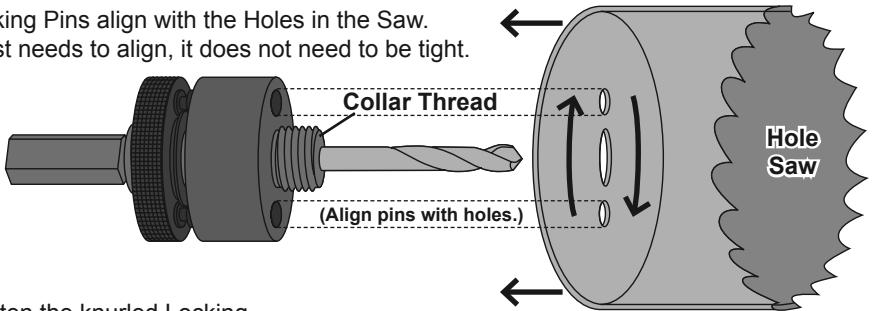
1. Select the desired size Hole Saw and either the Large or Small Mandrel.
2. The correct size Mandrel will fit exactly into the Hole Saw.
3. Use the Adapter to attach the Small Mandrel to medium size Hole Saws (such as 1-3/8" and 1-1/2" sizes.) Carefully thread the Adapter into the Hole Saw and then thread the Small Mandrel through the bottom so that it screws into the Adapter.
4. To attach Hole Saw to the Large Mandrel, see illustrations and instructions on facing page.
5. Open Jaws of Drill Chuck (sold separately).
6. Place the Mandrel Shaft completely into the Chuck and securely tighten the Chuck.

Large Mandrel Setup

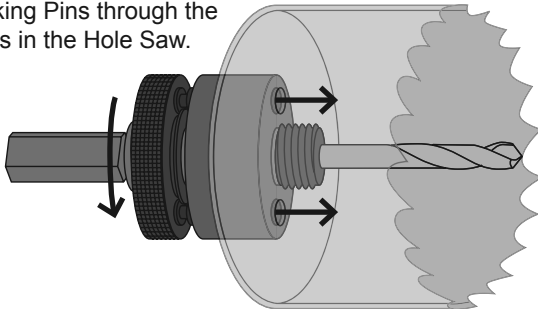
- A.** Unthread the knurled Locking Collar to retract the Locking Pins.



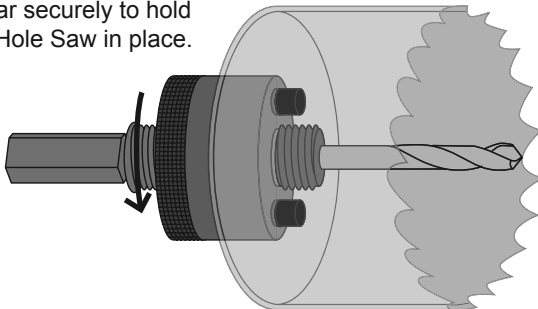
- B.** Thread Hole Saw onto Collar Thread until the Locking Pins align with the Holes in the Saw. It just needs to align, it does not need to be tight.



- C.** Tighten the knurled Locking Collar to extend the Locking Pins through the holes in the Hole Saw.



- D.** Tighten the knurled Locking Collar securely to hold the Hole Saw in place.



OPERATION

1. Holding the drill at 90° to the workpiece, set the Hole Saw on the workpiece.
2. Press the drill's trigger to turn it on.
3. If the drill is a variable speed type, cut the workpiece slowly until a circle groove is made in the workpiece. Then cut faster.
4. When the hole is cut, release the trigger and wait for Hole Saw to come to a complete stop before removing it from the workpiece.
5. When finished, remove Hole Saw from drill's chuck.
6. Remove Hole Saw from Mandrel and clean off Hole Saw with a cloth. Place Hole Saw and Mandrel back in carrying case.
7. Store Hole Saws inside case, out of reach of children.
8. Replace the pilot drill bit if dull or broken. Make sure the bit is securely held in place after being reinstalled.

Record Product's Serial Number Here: _____

Note: If product has no serial number, record month and year of purchase instead.

Note: Some parts are listed and shown for illustration purposes only. Replacement parts are not available. Refer to UPC 193175040367.

LIMITED 90 DAY WARRANTY

Harbor Freight Tools Co. makes every effort to assure that its products meet high quality and durability standards, and warrants to the original purchaser that this product is free from defects in materials and workmanship for the period of 90 days from the date of purchase. This warranty does not apply to damage due directly or indirectly, to misuse, abuse, negligence or accidents, repairs or alterations outside our facilities, criminal activity, improper installation, normal wear and tear, or to lack of maintenance. We shall in no event be liable for death, injuries to persons or property, or for incidental, contingent, special or consequential damages arising from the use of our product. Some states do not allow the exclusion or limitation of incidental or consequential damages, so the above limitation of exclusion may not apply to you. THIS WARRANTY IS EXPRESSLY IN LIEU OF ALL OTHER WARRANTIES, EXPRESS OR IMPLIED, INCLUDING THE WARRANTIES OF MERCHANTABILITY AND FITNESS.

To take advantage of this warranty, the product or part must be returned to us with transportation charges prepaid. Proof of purchase date and an explanation of the complaint must accompany the merchandise. If our inspection verifies the defect, we will either repair or replace the product at our election or we may elect to refund the purchase price if we cannot readily and quickly provide you with a replacement. We will return repaired products at our expense, but if we determine there is no defect, or that the defect resulted from causes not within the scope of our warranty, then you must bear the cost of returning the product.

This warranty gives you specific legal rights and you may also have other rights which vary from state to state.

