



# Bench Grinder Pedestal

## 68321 Grinder Pedestal

### INSTRUCTIONS AND PRECAUTIONS

Visit our website at:  
<http://www.harborfreight.com>

#### **⚠️ WARNING**

**Read this material before  
using this product.  
Failure to do so can result  
in serious injury.  
SAVE THIS MANUAL.**

**When unpacking, make sure  
that the product is intact and  
undamaged.  
If any parts are missing or broken,  
please call 1-800-444-3353  
as soon as possible.**

Copyright© 2011 by Harbor Freight Tools®.  
All rights reserved. No portion of this document  
or any artwork contained herein may be  
reproduced in any shape or form without the  
express written consent of Harbor Freight  
Tools. Diagrams within this document may  
not be drawn proportionally. Due to continuing  
improvements, actual product may differ slightly  
from the product described herein. Tools required  
for assembly and service may not be included.

**For technical questions or replacement  
parts, please call 1-800-444-3353.**

## Specifications

|              |               |
|--------------|---------------|
| Table Height | 33"           |
| Table Size   | 11" x 10-1/4" |

## Important Safety Information

### Assembly Precautions

1. Assemble only according to these instructions. Improper assembly can create hazards.
2. Wear ANSI-approved safety goggles and heavy-duty work gloves during assembly.
3. Keep assembly area clean and well lit.
4. Keep bystanders out of the area during assembly.
5. Do not assemble when tired or when under the influence of drugs or medication.

### Use Precautions

1. This product is not a toy. Do not allow children to play with or near this item.
2. Use as intended only.
3. Inspect before every use; do not use if parts are loose or damaged.
4. Maintain product labels and nameplates. These carry important safety information. If unreadable or missing, contact Harbor Freight Tools for a replacement.

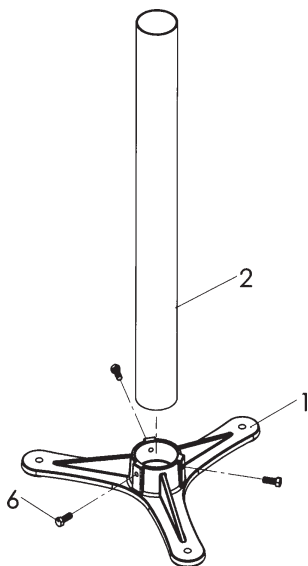
# Assembly Instructions



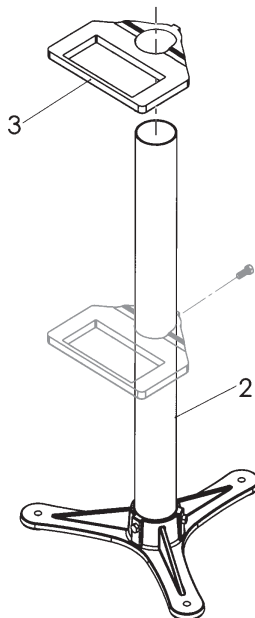
## Read the ENTIRE IMPORTANT SAFETY

**INFORMATION** section at the beginning of this document including all text under subheadings therein before set up or use of this product.

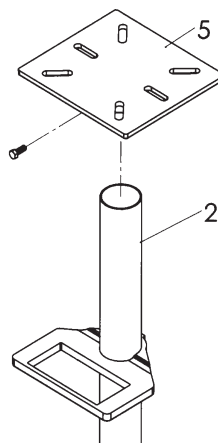
1. Insert Column (2) into Base (1). Secure in place with three Bolts (6). Turn the Column so that the warning label is oriented properly.



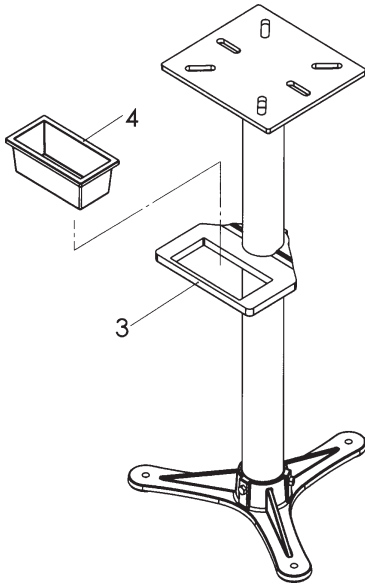
2. Slide the Basin Holder (3) onto the Column from the top. Adjust to desired position and secure in place with Bolt.



3. Place Top (5) onto the top of the Column and secure it in place with a Bolt.

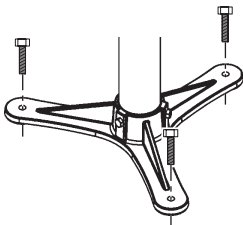


4. Place Basin (4) into Basin Holder.



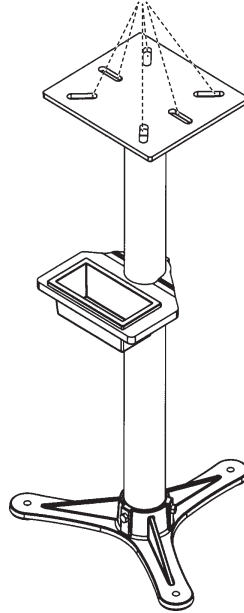
**Note:** The Basin can be filled with water and used to cool off grinding workpieces.

5. Mount Base to solid concrete slab using appropriate hardware (not included). Verify that installation surface has no hidden utility lines before drilling or driving screws.



6. Attach the Bench Grinder securely to the slots in the Top of this Pedestal, using bolts, washers, and nuts (sold separately) through all Bench Grinder mounting holes.

**Attach Bench Grinder here.**



7. After assembly, check all hardware to ensure it is properly tightened.
8. **BEFORE EACH USE**, inspect the general condition of the Pedestal and connection to the Grinder. Check for loose hardware, cracked or broken parts, and any other condition that may affect its safe operation.

**WARNING! TO PREVENT SERIOUS INJURY FROM PEDESTAL FAILURE: Do not use if damaged. If parts are loose or damaged, have the problem corrected before use.**

# PLEASE READ THE FOLLOWING CAREFULLY

THE MANUFACTURER AND/OR DISTRIBUTOR HAS PROVIDED THE PARTS LIST AND ASSEMBLY DIAGRAM IN THIS DOCUMENT AS A REFERENCE TOOL ONLY. NEITHER THE MANUFACTURER OR DISTRIBUTOR MAKES ANY REPRESENTATION OR WARRANTY OF ANY KIND TO THE BUYER THAT HE OR SHE IS QUALIFIED TO MAKE ANY REPAIRS TO THE PRODUCT, OR THAT HE OR SHE IS QUALIFIED TO REPLACE ANY PARTS OF THE PRODUCT. IN FACT, THE MANUFACTURER AND/OR DISTRIBUTOR EXPRESSLY STATES THAT ALL REPAIRS AND PARTS REPLACEMENTS SHOULD BE UNDERTAKEN BY CERTIFIED AND LICENSED TECHNICIANS, AND NOT BY THE BUYER. THE BUYER ASSUMES ALL RISK AND LIABILITY ARISING OUT OF HIS OR HER REPAIRS TO THE ORIGINAL PRODUCT OR REPLACEMENT PARTS THERETO, OR ARISING OUT OF HIS OR HER INSTALLATION OF REPLACEMENT PARTS THERETO.

## Parts List and Assembly Diagram

| Item | Description            | Q'ty |
|------|------------------------|------|
| 1    | Base                   | 1    |
| 2    | Column                 | 1    |
| 3    | Basin Holder           | 1    |
| 4    | Basin                  | 1    |
| 5    | Top                    | 1    |
| 6    | Bolt (3/8"-16UNC x 1") | 5    |

### Record Serial Number Here:

---

**Note:** If product has no serial number, record month and year of purchase instead.

**Note:** Some parts are listed and shown for illustration purposes only, and are not available individually as replacement parts.

