

Owner's Manual & Safety Instructions

Save This Manual Keep this manual for the safety warnings and precautions, assembly, operating, inspection, maintenance and cleaning procedures. Write the product's serial number in the back of the manual near the assembly diagram (or month and year of purchase if product has no number). Keep this manual and the receipt in a safe and dry place for future reference.

HaulMaster®

ROLLER STAND



Visit our website at: <http://www.harborfreight.com>
Email our technical support at: tech@harborfreight.com

ITEM 68898

When unpacking, make sure that the product is intact and undamaged. If any parts are missing or broken, please call 1-800-444-3353 as soon as possible.

Copyright© 2012 by Harbor Freight Tools®. All rights reserved. No portion of this manual or any artwork contained herein may be reproduced in any shape or form without the express written consent of Harbor Freight Tools. Diagrams within this manual may not be drawn proportionally. Due to continuing improvements, actual product may differ slightly from the product described herein. Tools required for assembly and service may not be included.

▲WARNING

**Read this material before using this product.
Failure to do so can result in serious injury.
SAVE THIS MANUAL.**

Specifications

Adjustable Height	26-3/4" – 42-3/4"
Ball Bearing Roller	11-1/4" L

Important Safety Information

Assembly Precautions

1. Assemble only according to these instructions. Improper assembly can create hazards.
2. Wear ANSI-approved safety goggles and heavy-duty work gloves during assembly.
3. Keep assembly area clean and well lit.
4. Keep bystanders out of the area during assembly.
5. Do not assemble when tired or when under the influence of drugs or medication.
6. Weight capacity and other product capabilities apply to properly and completely assembled product only.



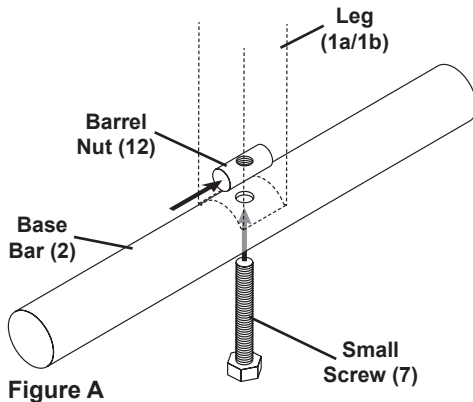
Use Precautions

1. Wear ANSI-approved safety goggles and heavy-duty work gloves during use.
2. Do not exceed the Roller Stand's maximum weight capacity of 132 lb.
Be aware of dynamic loading!
Sudden load movement may briefly create excess load causing product failure.
3. Use the Roller Stand on a flat, level surface capable of supporting the weight of the Stand and the weight of the workpiece.
4. Do not wear loose clothing or jewelry as they can be caught in moving parts. Protective, electrically non-conductive clothes and non-skid footwear are recommended when working. Wear restrictive hair covering to contain long hair.
5. This product is not a toy. Do not allow children to play with or near this item.
6. Use as intended only. Do not use the Roller Stand to support people or animals.
7. Inspect before every use; do not use if parts are loose or damaged.
8. Maintain product labels and nameplates. These carry important safety information. If unreadable or missing, contact Harbor Freight Tools for a replacement.
9. The warnings, cautions, and instructions discussed in this instruction manual cannot cover all possible conditions and situations that may occur. It must be understood by the operator that common sense and caution are factors which cannot be built into this product, but must be supplied by the operator.

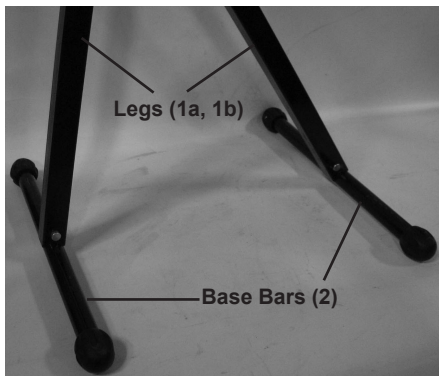


Assembly Instructions

1. Insert a Barrel Nut (12) into the hole at the bottom of each Leg with the hole in Barrel Nut facing down. See **Figure A**.



2. Place the Base Bar (hole facing up) onto the Leg (1a, 1b). Insert the Small Screw (7) through the hole in the Leg so that it fastens to the Barrel Nut, locking the Base Bar (2) to the Leg. See **Figure B** below.



3. Fasten the two Legs (1a & 1b) together:
 - a. Lean the Long Leg (1a) against the Short Leg (1b) (bracket end up).

- b. Put a Large Screw (6) through a Large Washer (8) and insert through one side of the frame, both holes at the top of the Long Leg and the other hole on the frame.

- c. Fasten with another Large Washer (8) and a Large Nut (10).

4. Slide the Extendable Arm (5) into the top opening of the short Leg (1b) with its holes at the top and facing the front and back of the stand. If the holes face the sides of the stand, the Extendable Arm cannot lock in place. See **Figure C** below.

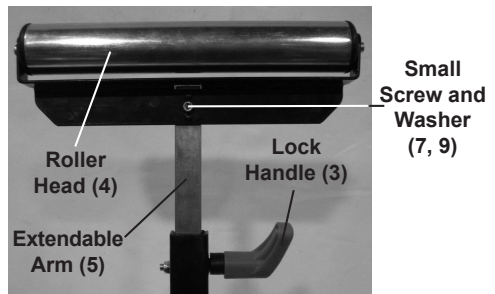


Figure C

5. Fasten the Lock Handle (3) to the frame at the top of the Short Leg (1b). See **Figure C**.

6. Extend the Long Leg (1a) from the Stand so that it is level with the other Leg (1b), making the Roller Stand balanced.

7. Slide a Small Screw (7) through a Small Washer (9) and use them to fasten the Roller Head (4) to the top of the Extendable Arm. Tighten with a Small Nut (11). Make sure the Screw fits all the way through the Arm and that the Roller Head (4) is fastened tightly. See **Figure C**.

Operation

1. Before use, be sure the Roller Stand is situated on a flat, level surface, capable of supporting the weight of the Stand plus the weight of your work piece.
2. You can adjust the height of your Roller Stand from 26-3/4" to 42-3/4" H. To do so, loosen the Lock Handle (3). Raise or lower the Extension Arm (5) to the desired height.
3. Tighten the Lock Handle (3) again. Tighten the Handle fully before using the Stand.
4. Place the Roller Stand in the desired location in the work area. Make sure the Stand is set at the appropriate height for the task at hand. Also, always ensure that the workpiece supported by the Stand is stable and level.

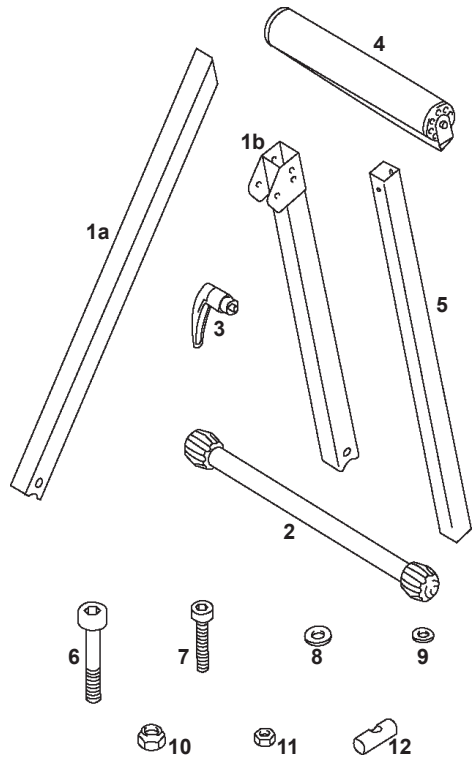
Maintenance

1. Periodically check Roller Head (4) and all hardware for tightness.
2. Periodically clean the Roller Stand with warm water and a soft cloth.



Parts List

Part	Description	Qty
1a	Long Leg	1
1b	Short Leg	1
2	Base Bar	2
3	Lock Handle	1
4	Roller Head	1
5	Extendable Arm	1
6	Large Screw	1
7	Small Screw	2
8	Large Washer	2
9	Small Washer	2
10	Large Nut	1
11	Small Nut	2
12	Barrel Nut	2



HaulMaster®

PLEASE READ THE FOLLOWING CAREFULLY

THE MANUFACTURER AND/OR DISTRIBUTOR HAS PROVIDED THE PARTS LIST AND ASSEMBLY DIAGRAM IN THIS DOCUMENT AS A REFERENCE TOOL ONLY. NEITHER THE MANUFACTURER OR DISTRIBUTOR MAKES ANY REPRESENTATION OR WARRANTY OF ANY KIND TO THE BUYER THAT HE OR SHE IS QUALIFIED TO MAKE ANY REPAIRS TO THE PRODUCT, OR THAT HE OR SHE IS QUALIFIED TO REPLACE ANY PARTS OF THE PRODUCT. IN FACT, THE MANUFACTURER AND/OR DISTRIBUTOR EXPRESSLY STATES THAT ALL REPAIRS AND PARTS REPLACEMENTS SHOULD BE UNDERTAKEN BY CERTIFIED AND LICENSED TECHNICIANS, AND NOT BY THE BUYER. THE BUYER ASSUMES ALL RISK AND LIABILITY ARISING OUT OF HIS OR HER REPAIRS TO THE ORIGINAL PRODUCT OR REPLACEMENT PARTS THERETO, OR ARISING OUT OF HIS OR HER INSTALLATION OF REPLACEMENT PARTS THERETO.

Record Serial Number Here:

Note: If product has no serial number, record month and year of purchase instead.

Note: Some parts are listed and shown for illustration purposes only, and are not available individually as replacement parts.



Limited 90 Day Warranty

Harbor Freight Tools Co. makes every effort to assure that its products meet high quality and durability standards, and warrants to the original purchaser that this product is free from defects in materials and workmanship for the period of 90 days from the date of purchase. This warranty does not apply to damage due directly or indirectly, to misuse, abuse, negligence or accidents, repairs or alterations outside our facilities, criminal activity, improper installation, normal wear and tear, or to lack of maintenance. We shall in no event be liable for death, injuries to persons or property, or for incidental, contingent, special or consequential damages arising from the use of our product. Some states do not allow the exclusion or limitation of incidental or consequential damages, so the above limitation of exclusion may not apply to you. THIS WARRANTY IS EXPRESSLY IN LIEU OF ALL OTHER WARRANTIES, EXPRESS OR IMPLIED, INCLUDING THE WARRANTIES OF MERCHANTABILITY AND FITNESS.

To take advantage of this warranty, the product or part must be returned to us with transportation charges prepaid. Proof of purchase date and an explanation of the complaint must accompany the merchandise. If our inspection verifies the defect, we will either repair or replace the product at our election or we may elect to refund the purchase price if we cannot readily and quickly provide you with a replacement. We will return repaired products at our expense, but if we determine there is no defect, or that the defect resulted from causes not within the scope of our warranty, then you must bear the cost of returning the product.

This warranty gives you specific legal rights and you may also have other rights which vary from state to state.



3491 Mission Oaks Blvd. • PO Box 6009 • Camarillo, CA 93011 • (800) 444-3353