

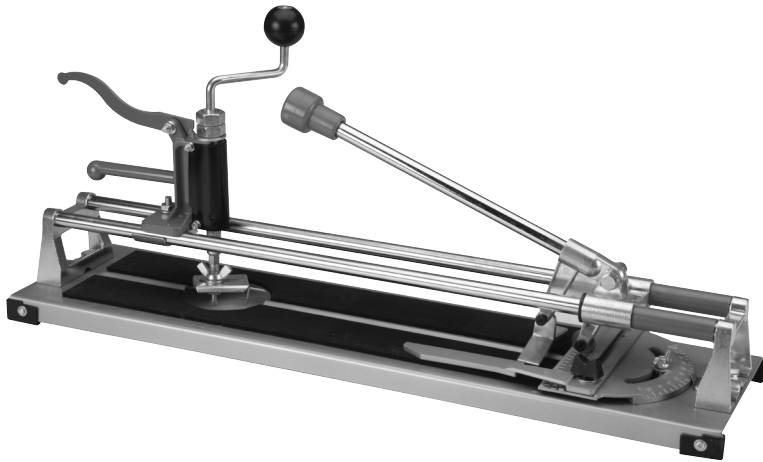
# Owner's Manual & Safety Instructions

**Save This Manual** Keep this manual for the safety warnings and precautions, assembly, operating, inspection, maintenance and cleaning procedures. Write the product's serial number in the back of the manual near the assembly diagram (or month and year of purchase if product has no number). Keep this manual and the receipt in a safe and dry place for future reference.

Finch  
&  
McLay

# FLOOR™

# Three In One TILE CUTTER



REV 14a

Visit our website at: <http://www.harborfreight.com>  
Email our technical support at: [productsupport@harborfreight.com](mailto:productsupport@harborfreight.com)

**ITEM 68979**

When unpacking, make sure that the product is intact and undamaged. If any parts are missing or broken, please call 1-888-866-5797 as soon as possible.

Copyright© 2011 by Harbor Freight Tools®. All rights reserved.

No portion of this manual or any artwork contained herein may be reproduced in any shape or form without the express written consent of Harbor Freight Tools. Diagrams within this manual may not be drawn proportionally. Due to continuing improvements, actual product may differ slightly from the product described herein. Tools required for assembly and service may not be included.

## **⚠ WARNING**

**Read this material before using this product.  
Failure to do so can result in serious injury.  
SAVE THIS MANUAL.**

## Important Safety Information

1. Assemble only according to these instructions. Improper assembly can create hazards.
2. Wear ANSI-approved safety goggles and heavy-duty work gloves during use.
3. Keep work area clean and well lit.
4. Keep bystanders out of the area during use.
5. Do not use when tired or when under the influence of drugs or medication.
6. This product is not a toy. Do not allow children to play with or near this item.
7. Use as intended only. Do not use handle extension to increase force.
8. Inspect before every use; do not use if parts are loose or damaged.
9. Maintain product labels and nameplates. These carry important safety information. If unreadable or missing, contact Harbor Freight Tools for a replacement.

## Assembly and Setup Instructions

### Installing the Feet

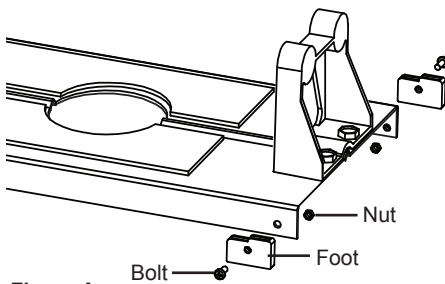


Figure A

1. Slide each Foot onto the lower corners of the Base.
2. Secure the Feet to the Base with the Bolts and Nuts.

### Installing the Try Square

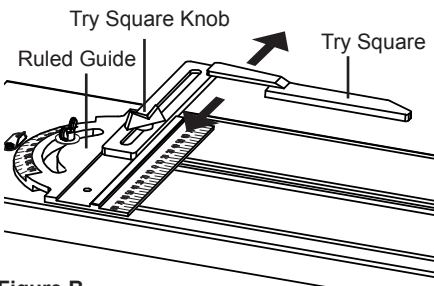


Figure B

1. Position the Try Square with the scale markings upward.
2. Place the slotted arm of the Try Square over the Ruled Guide on the Base.
3. Secure in place with the Try Square Knob.

## Operating Instructions

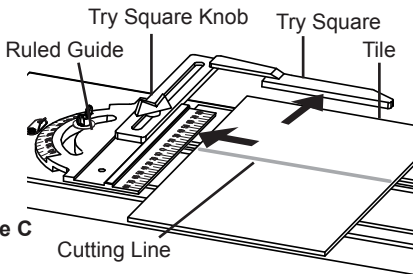
Make several practice cuts on scrap tile before attempting to make finish cuts.

Use a sturdy workbench, or place the machine on the floor to increase your leverage.

Before beginning, mark the cut line on the tile with a soft carpenter's pencil, a grease pencil or a washable marker.

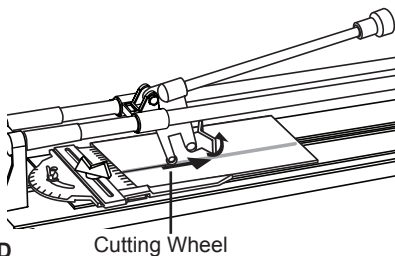
### Making a Straight Cut

1. Remove the Circle Cutter assembly if it is installed.



2. Loosen the Try Square Knob and slide the Try Square out so there is room for the tile.
3. With the glazed side up, place the tile against the Ruled Guide, with the marked cutting line directly under the Cutting Wheel.
4. Slide the Try Square to the edge of the tile and tighten the Try Square Knob.

**Note:** Once the Try Square is secured at the desired setting, you can make multiple cuts of the same size without marking the cut line on the tile.



5. Swing the Breaking Bar up and out of the way, then holding the tile firmly, score along the marked cutting line with the Cutting Wheel several times.

**Note:** Good results require applying proper pressure and scoring the tile properly. This depends largely upon the operator and requires practice.

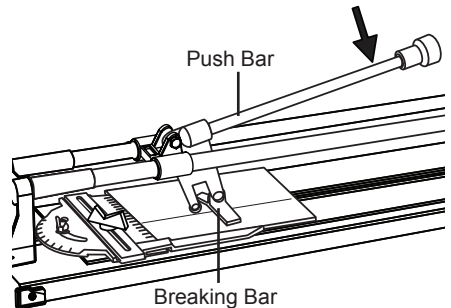


Figure E

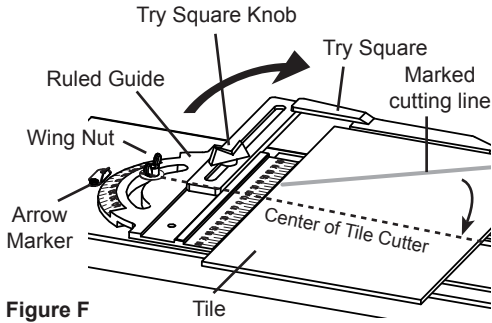
6. Slide the Push Bar handle back until the Breaking Bar is centered over the tile, and lower the Handle to press the Breaking Bar onto the tile.

**Note:** Make sure that the score line is aligned with the center of the Breaking Bar and the Breaking Bar is centered over the tile, straddling the score line.

7. Remove tile pieces from the Tile Cutter.

## Making an Angled Cut

---

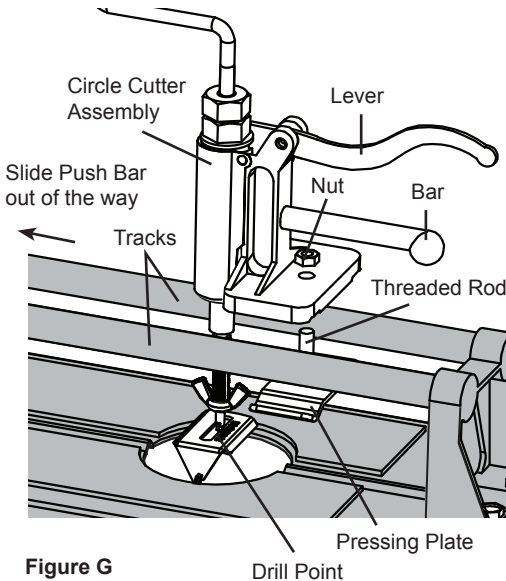


**Figure F**

1. Slide the Push Bar away from the Ruled Guide area.
2. Loosen the Wing Nut on the Ruled Guide and the Try Square Knob on the Try Square.
3. Place the tile against the Ruled Guide and Try Square and rotate the them together until the arrow marker and center of the Tile Cutter is aligned with the marked cutting line.
4. Tighten in place with the Wing Nut and Try Square Knob.
5. Place the tile against the Ruled Guide, and make the cut following steps 4-6 on page 4.

# Making a Circle Cut

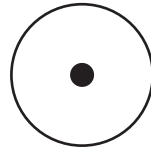
The Tile Cutter is set up for straight cuts. Install the Circle Cutter Assembly for circle cuts. Remove the Circle Cutter Assembly when finished.



**Figure G**

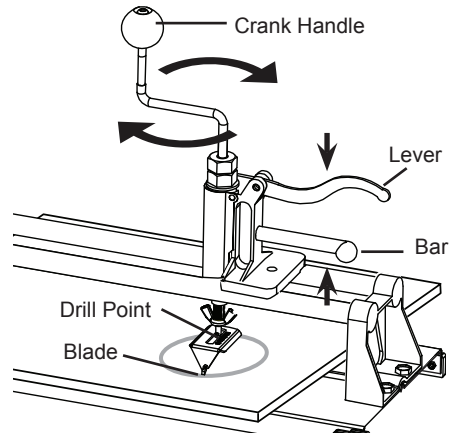
To install the Circle Cutter Assembly:

1. Slide the Push Bar assembly away from the circle cutter area, towards the Buffer Sleeves and Ruled Guide.
2. Remove the Nut holding the Pressing Plate to the Assembly and set both pieces aside.
3. Place the Circle Cutter Assembly onto the Tracks with the Lever pointed away from the Buffer Sleeves and Ruler Guide.
4. Align the Drill Point with the center of the hole in the Base.
5. Place the Pressing Plate under the Tracks and Circle Cutter Assembly, with the threaded rod inserted upward through the hole in the base of the Circle Cutter Base. Re-install the Nut and Washer and tighten.
6. Assemble the Circle Cutter Assembly onto the Tile Cutter (see Assembly section).



**Figure H**

7. Mark the circle to cut and mark the center of the circle.



**Figure I**

8. Squeeze the Lever and Bar together to lift the Drill Point enough to slide the tile in place.
9. Center the center mark on the tile under the Drill Point and slowly release the Lever, adjusting the tile location as needed to get the Drill Point centered in place.
10. Loosen the Wing Nut on the bottom of the Blade Assembly and slide the Assembly so that the Blade rests on the edge of the marked circle (the circumference).
11. Tighten the Wing Nut.
12. Holding the tile firmly in place, rotate the Crank Handle clockwise to drill into the tile and cut the circle. Continue rotating the crank until the circle has been completely cut through the tile.
13. Turn the Crank Handle counterclockwise to raise the Blade above the tile, then squeeze the Lever and Bar together and remove the cut tile pieces.

## Parts List and Assembly Diagram

### PLEASE READ THE FOLLOWING CAREFULLY

THE MANUFACTURER AND/OR DISTRIBUTOR HAS PROVIDED THE PARTS LIST AND ASSEMBLY DIAGRAM IN THIS MANUAL AS A REFERENCE TOOL ONLY. NEITHER THE MANUFACTURER OR DISTRIBUTOR MAKES ANY REPRESENTATION OR WARRANTY OF ANY KIND TO THE BUYER THAT HE OR SHE IS QUALIFIED TO MAKE ANY REPAIRS TO THE PRODUCT, OR THAT HE OR SHE IS QUALIFIED TO REPLACE ANY PARTS OF THE PRODUCT. IN FACT, THE MANUFACTURER AND/OR DISTRIBUTOR EXPRESSLY STATES THAT ALL REPAIRS AND PARTS REPLACEMENTS SHOULD BE UNDERTAKEN BY CERTIFIED AND LICENSED TECHNICIANS, AND NOT BY THE BUYER. THE BUYER ASSUMES ALL RISK AND LIABILITY ARISING OUT OF HIS OR HER REPAIRS TO THE ORIGINAL PRODUCT OR REPLACEMENT PARTS THERETO, OR ARISING OUT OF HIS OR HER INSTALLATION OF REPLACEMENT PARTS THERETO.

### Parts List

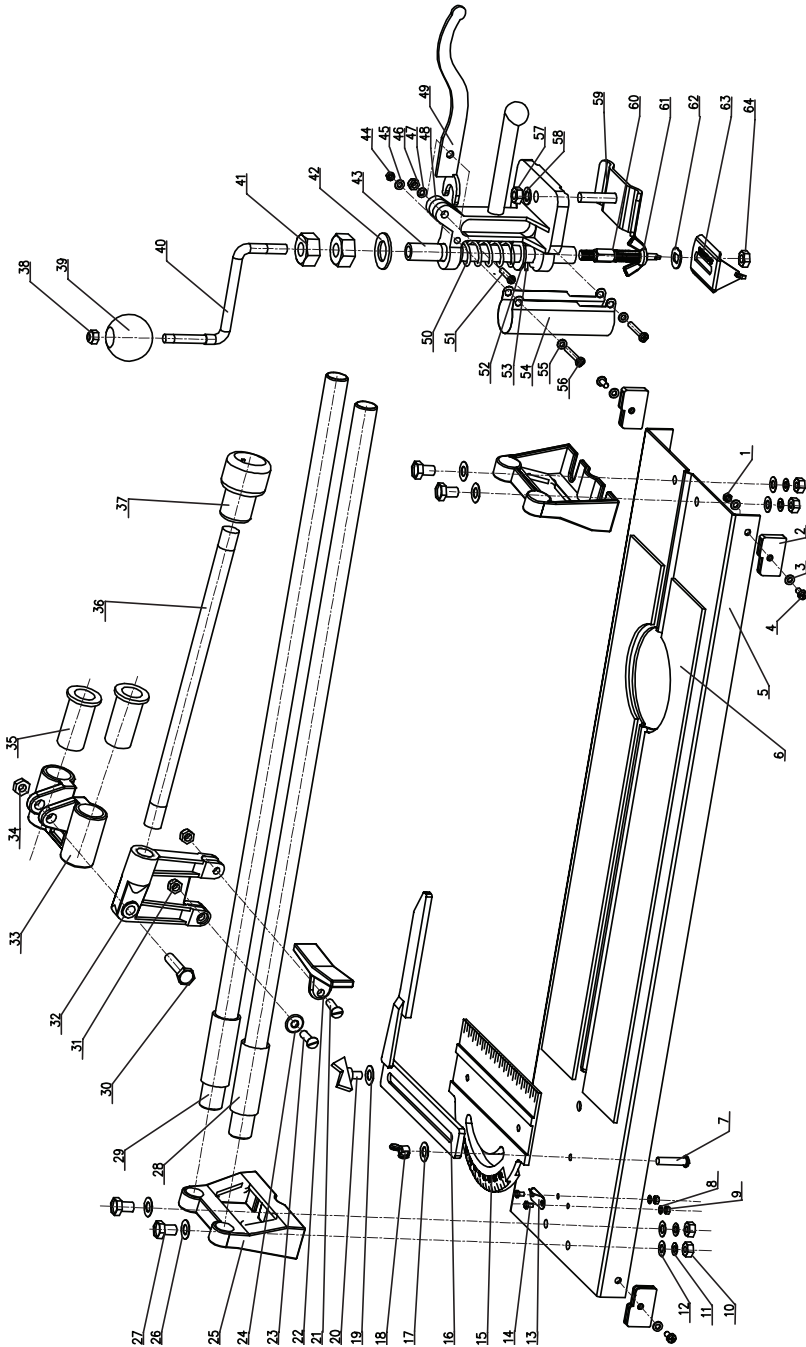
Part	Description	Part	Description	Part	Description
1	Nut	23	Bolt	45	Washer
2	Foot	24	Cutting Wheel	46	Nut
3	Washer	25	Support	47	Washer
4	Bolt	26	Washer	48	Circle Cutter Base
5	Base	27	Bolt	49	Lever
6	Cushion	28	Collar	50	Spring
7	Bolt	29	Slide	51	Bolt
8	Washer	30	Bolt	52	Washer
9	Nut	31	Lock Nut	53	Pin
10	Nut	32	Pivot	54	Cover
11	Lock Washer	33	Carriage	55	Washer
12	Washer	34	Lock Nut	56	Bolt
13	Angle Indicator	35	Bushing	57	Nut
14	Bolt	36	Bar	58	Washer
15	Angle Scale	37	Handle	59	Press Plate
16	Width Guide	38	Nut	60	Center Blade
17	Washer	39	Knob	61	Wing Nut
18	Angle Nut	40	Crank	62	Washer
19	Washer	41	Nut	63	Blade
20	Width Knob	42	Washer	64	Nut
21	Bolt	43	Arbor		
22	Breaking Bar	44	Nut		

Record Product's Serial Number Here: \_\_\_\_\_

**Note:** If product has no serial number, record month and year of purchase instead.

**Note:** Some parts are listed and shown for illustration purposes only, and are not available individually as replacement parts.

# Assembly Diagram



## Limited 90 Day Warranty

Harbor Freight Tools Co. makes every effort to assure that its products meet high quality and durability standards, and warrants to the original purchaser that this product is free from defects in materials and workmanship for the period of 90 days from the date of purchase. This warranty does not apply to damage due directly or indirectly, to misuse, abuse, negligence or accidents, repairs or alterations outside our facilities, criminal activity, improper installation, normal wear and tear, or to lack of maintenance. We shall in no event be liable for death, injuries to persons or property, or for incidental, contingent, special or consequential damages arising from the use of our product. Some states do not allow the exclusion or limitation of incidental or consequential damages, so the above limitation of exclusion may not apply to you. THIS WARRANTY IS EXPRESSLY IN LIEU OF ALL OTHER WARRANTIES, EXPRESS OR IMPLIED, INCLUDING THE WARRANTIES OF MERCHANTABILITY AND FITNESS.

To take advantage of this warranty, the product or part must be returned to us with transportation charges prepaid. Proof of purchase date and an explanation of the complaint must accompany the merchandise. If our inspection verifies the defect, we will either repair or replace the product at our election or we may elect to refund the purchase price if we cannot readily and quickly provide you with a replacement. We will return repaired products at our expense, but if we determine there is no defect, or that the defect resulted from causes not within the scope of our warranty, then you must bear the cost of returning the product.

This warranty gives you specific legal rights and you may also have other rights which vary from state to state.

