



Foldable/Adjustable Sawhorse

Item 69059

INSTRUCTIONS AND PRECAUTIONS

Visit our website at:
<http://www.harborfreight.com>

Email our technical support at:
tech@harborfreight.com

!WARNING

Read this material before using this product. Failure to do so can result in serious injury. **SAVE THIS MANUAL.**

When unpacking, make sure that the product is intact and undamaged. If any parts are missing or broken, please call 1-800-444-3353 as soon as possible.

Copyright© 2007 by Harbor Freight Tools®. All rights reserved. No portion of this document or any artwork contained herein may be reproduced in any shape or form without the express written consent of Harbor Freight Tools. Diagrams within this document may not be drawn proportionally. Due to continuing improvements, actual product may differ slightly from the product described herein. Tools required for assembly and service may not be included.

For technical questions, please call 1-800-444-3353.

Specifications

Weight Capacity	440 LB.
Height Adjustment Range	25-3/8 IN. to 35-7/8 IN.



Important Safety Information

1. Do not stand or sit on Sawhorse.
2. Do not exceed the maximum weight capacity of 440 lb. **Be aware of dynamic loading!** Sudden load movement may briefly create excess load causing product failure.
3. Make sure Leg Locks are secured in Leg Holes before using.
4. Make sure Legs are the same height before using.
5. Always wear ANSI-approved safety goggles and heavy-duty work gloves during use.
6. Use on hard, flat surface that is capable of supporting weight of Sawhorse and workpiece.
7. Inspect before each use. Do not use if damaged.
8. This product is not a toy. Keep it out of reach of children.
9. The warnings, precautions, and instructions discussed in this instruction manual cannot cover all possible conditions and situations that may occur. It must be understood by the operator that common sense and caution are factors which cannot be built into this product, but must be supplied by the operator.
10. Maintain product labels and nameplates. These carry important safety information. If unreadable or missing, contact Harbor Freight Tools for a replacement.

Operating Instructions



Read the **ENTIRE IMPORTANT SAFETY INFORMATION** section at the beginning of this document including all text under subheadings therein before set up or use of this product.

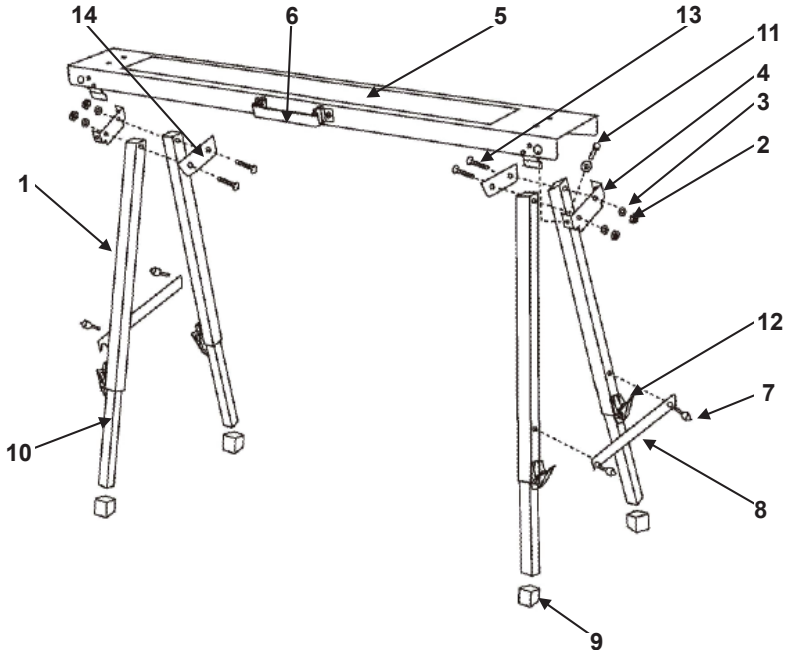
1. Lay the Sawhorse face down on the ground or workbench.
2. Unfold Legs (1) on right side and spread them as far as they will open.
3. Unfold the Legs on the left side and spread them also.
4. Unfold the Support Brace (8) from one Leg to the other. This will help stabilize the Legs.
5. Tighten the Wing Bolt (7) on each end of Support Brace to secure it in place.
6. Carefully turn the Sawhorse over so it is standing on the four Legs.
7. Loosen the Wing Bolt and push on the Spring Loaded Leg Lock (12) that holds each leg in position.
8. Adjust the Leg Extension Tube (10) as needed.
9. Release the spring-loaded Leg Lock so that it enters one of the twelve positioning holes in the Leg Extension Tube.
10. Set each Leg to the same height.
11. Tighten Wing Bolts located on each Leg.
12. When finished, fold the Legs into the Top (5) by reversing steps 1 through 5 above. The Sawhorse will then be ready for storage.

NOTE: The Sawhorse has a Handle (6) on one side for carrying.

Parts List and Assembly Diagram

Part	Description	Qty.
1	Leg	4
2	Locking Nut	4
3	Washer	4
4	Leg Attachment	2
5	Top	1
6	Handle	1
7	Wing Bolt	4

Part	Description	Qty.
8	Support Brace	2
9	Foot	4
10	Leg Extension Tube	4
11	Screw (M10)	4
12	Leg Lock	4
13	Hex Bolt (M8X40)	4
14	Leg Attachment Brace	2



Record Serial Number Here:

Note: If product has no serial number, record month and year of purchase instead.

Note: Some parts are listed and shown for illustration purposes only, and are not available individually as replacement parts.

PLEASE READ THE FOLLOWING CAREFULLY

THE MANUFACTURER AND/OR DISTRIBUTOR HAS PROVIDED THE PARTS LIST AND ASSEMBLY DIAGRAM IN THIS DOCUMENT AS A REFERENCE TOOL ONLY. NEITHER THE MANUFACTURER OR DISTRIBUTOR MAKES ANY REPRESENTATION OR WARRANTY OF ANY KIND TO THE BUYER THAT HE OR SHE IS QUALIFIED TO MAKE ANY REPAIRS TO THE PRODUCT, OR THAT HE OR SHE IS QUALIFIED TO REPLACE ANY PARTS OF THE PRODUCT. IN FACT, THE MANUFACTURER AND/OR DISTRIBUTOR EXPRESSLY STATES THAT ALL REPAIRS AND PARTS REPLACEMENTS SHOULD BE UNDERTAKEN BY CERTIFIED AND LICENSED TECHNICIANS, AND NOT BY THE BUYER. THE BUYER ASSUMES ALL RISK AND LIABILITY ARISING OUT OF HIS OR HER REPAIRS TO THE ORIGINAL PRODUCT OR REPLACEMENT PARTS THERETO, OR ARISING OUT OF HIS OR HER INSTALLATION OF REPLACEMENT PARTS THERETO.

90 Day Warranty

Harbor Freight Tools Co. makes every effort to assure that its products meet high quality and durability standards, and warrants to the original purchaser that this product is free from defects in materials and workmanship for the period of 90 days from the date of purchase. This warranty does not apply to damage due directly or indirectly, to misuse, abuse, negligence or accidents, repairs or alterations outside our facilities, criminal activity, improper installation, normal wear and tear, or to lack of maintenance. We shall in no event be liable for death, injuries to persons or property, or for incidental, contingent, special or consequential damages arising from the use of our product. Some states do not allow the exclusion or limitation of incidental or consequential damages, so the above limitation of exclusion may not apply to you. THIS WARRANTY IS EXPRESSLY IN LIEU OF ALL OTHER WARRANTIES, EXPRESS OR IMPLIED, INCLUDING THE WARRANTIES OF MERCHANTABILITY AND FITNESS.

To take advantage of this warranty, the product or part must be returned to us with transportation charges prepaid. Proof of purchase date and an explanation of the complaint must accompany the merchandise. If our inspection verifies the defect, we will either repair or replace the product at our election or we may elect to refund the purchase price if we cannot readily and quickly provide you with a replacement. We will return repaired products at our expense, but if we determine there is no defect, or that the defect resulted from causes not within the scope of our warranty, then you must bear the cost of returning the product.

This warranty gives you specific legal rights and you may also have other rights which vary from state to state.

