

Specifications

Weight Capacity	2,000 lb.
Face Plate	9-3/4" W x 5-7/8" H x 13/16" thick
Wheel Diameter	3"

Important Safety Information

Assembly Precautions

1. Assemble only according to these instructions. Improper assembly can create hazards.
2. Wear ANSI-approved safety goggles and heavy-duty work gloves during assembly.
3. Keep assembly area clean and well lit.
4. Keep bystanders out of the area during assembly.
5. Do not assemble when tired or when under the influence of drugs or medication.
6. Weight capacity and other product capabilities apply to properly and completely assembled product only.

Use Precautions

Failure to heed these instructions may result in personal injury and/or property damage:

1. Study, understand, and follow all instructions before operating this device.
2. Do not exceed rated capacity.
Be aware of dynamic loading!
Sudden load movement may briefly create excess load causing product failure.
3. Use only on hard, level surfaces.
4. Lock mounting plate rotating mechanism before applying a load.
5. Assure load is centered and secured to mounting attachments.
6. Only use when Legs are fully extended outward and Eye Pins and R-Pins are in place.
7. Hold Handle while removing the Pin.
8. Wear ANSI-approved safety goggles and heavy-duty work gloves during use.
9. Do not use for aircraft purposes.
10. Inspect before every use; do not use if parts loose or damaged.
11. This product is not a toy. Do not allow children to play with or near this item.
12. Use as intended only.
13. Maintain product labels and nameplates. These carry important safety information. If unreadable or missing, contact Harbor Freight Tools for a replacement.

Assembly Instructions



Read the **ENTIRE IMPORTANT SAFETY INFORMATION** section at the beginning of this document including all text under subheadings therein before set up or use of this product.

1. Attach 3-1/2" Casters (15) to the straight, back section of the Base (8) using Bolts (11), Spring Washers (10), and Nuts (9). Insert Bolts from the bottom, through the Casters first.
2. Attach 3" Casters (16) to the angled, front sections of the Base (8) using Bolts (12), Spring Washers (10), and Nuts (9). Insert Bolts from the top, through the Base first.

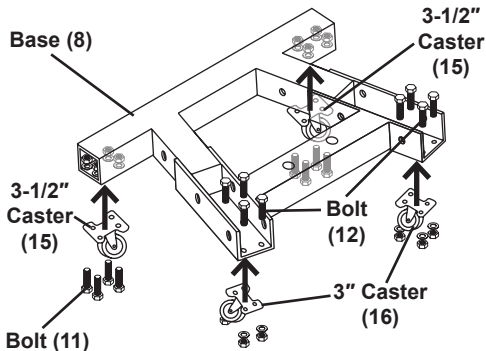


Figure A: Attach Casters to Base

3. Attach a 3-1/2" Caster (15) to the end of each Leg (17) using Bolts (11), Spring Washers (10), and Nuts (9).
4. Place Legs (17) into slots in Base (8) with the Casters (15) turned downward. Use two Leg Lock Pins (13) to secure each Leg. Secure each Leg Lock Pin using an R-pin (14).

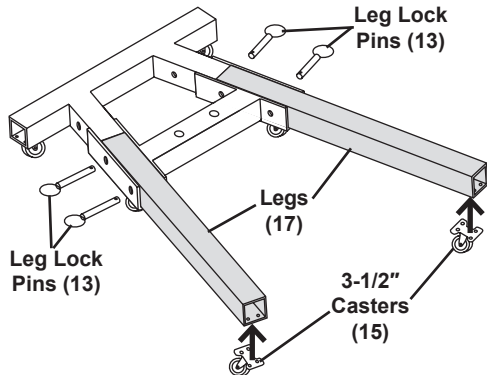


Figure B: Attach Legs

Note: There are five M14 diameter Bolts. The longer one, part 4, is used to attach the top of the two Braces (5) to the Column (2).

5. Attach Column (2) to Base (8) using Bolts (3), Washers (7), and Nuts (6).

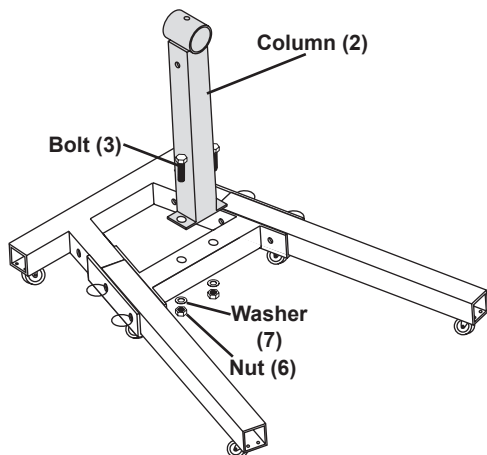


Figure C: Attach Column

- Place the tops of the Braces (5) flat against the Column (2), aligning the holes. Insert Bolt (4) through the Braces and Column, and secure with Washer (7) and Nut (6).
- Secure the bottom ends of the Braces (5) to the Base (8) using Bolts (3), Washers (7), and Nuts (6).

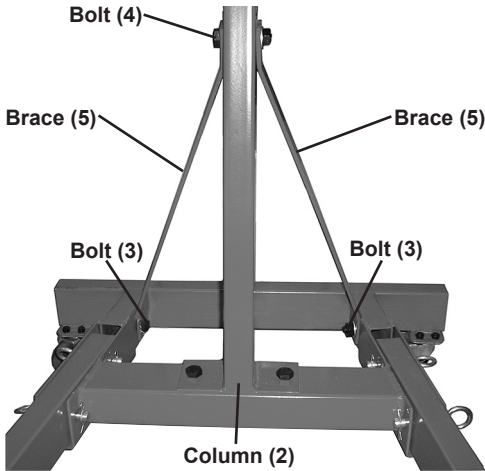


Figure D: Attach Column Braces

- Insert the Mounting Plate (23) through the Column (2).
- Slide off one of the rubber grips from the Handle (18), insert the Handle through the hole in back of the Mounting Plate (23), and replace the rubber grip.

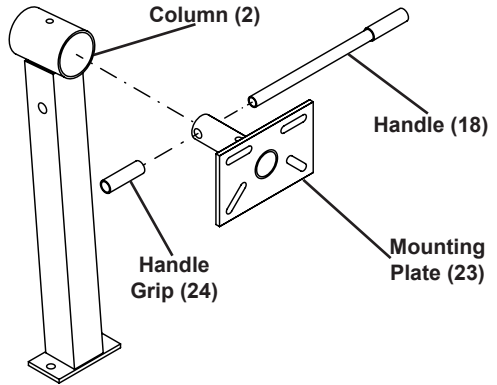


Figure E: Attach Mounting Plate

- To lock Mounting Plate (23) rotation, align a hole on it with the hole on the top of the Column (2), and insert the Pin (1).
- Attach the Mounting Arms (21/22) to the slots in the Mounting Plate (23) using the Bolts (19), Washers (7), Fender Washers (20), and Nuts (6).

PITTSBURGH AUTOMOTIVE

Operating Instructions



Read the **ENTIRE IMPORTANT SAFETY INFORMATION** section at the beginning of this document including all text under subheadings therein before set up or use of this product.

Mounting Engine



TO PREVENT SERIOUS INJURY:

Before attaching an engine to the stand, confirm that its weight does not exceed the Stand maximum capacity.

1. Lock both Legs (17) in lowered position with two Leg Lock Pins (13) per Leg secured in place with R-pins (14).
2. Remove the Pin (1) from the Column (2).
3. Determine the thread type and length of bolts (not included) needed to thread into the engine block. Use grade 8 bolts that are long enough to fit through the Arms and thread as deeply as possible into the engine block.
4. Align the Mounting Arms (21/22) with four mounting bolt locations on the engine.
5. Place the bolts (not included) through the Mounting Plate (23) side and securely tighten them into the engine. The bolt heads must press against the back of the Arms: if needed, use flat washers (not included) as spacers.
6. Tighten the Bolts (19) and Nuts (6) that hold the Mounting Arms (21/22) to the Mounting Plate (23) securely.
7. Slowly lower the hoist/engine crane (sold separately) until all the engine's weight is held by the stand.
8. Safely release the engine from the hoist/engine crane.
9. Slowly rotate the engine to the desired angle and insert the Pin (1) into the top of the Column (2).

WARNING! Use all four Arms when attaching an engine to the Stand.

Rotating Engine



TO PREVENT SERIOUS INJURY: Be prepared for sudden engine movement before removing Pin. Stay clear of engine.

1. While holding onto the Handle (18) and the engine to prevent it from accidental rotation, remove Pin (1).
2. Use assistance to rotate the engine to the desired angle and insert the Pin (1) into the top of the Column (2).

Removing Engine

1. With assistance, rotate the engine to its initial position.
2. Secure the engine properly to the crane. Use the crane to support all of the engine's weight directly overhead, but do not start lifting the engine stand.
3. Once the engine is properly supported by the crane, remove the bolts securing the Mounting Arms (21/22) to the engine.

Maintenance and Servicing



Procedures not specifically explained in this manual must be performed only by a qualified technician.

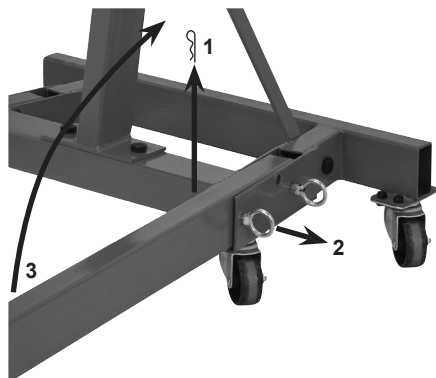
WARNING

TO PREVENT SERIOUS INJURY FROM STAND FAILURE:

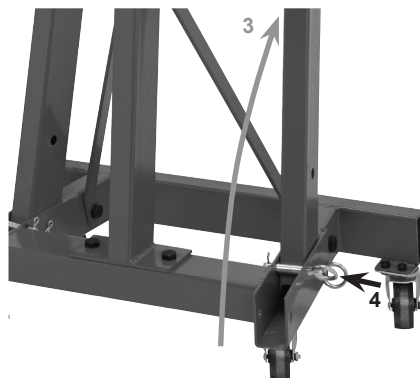
Do not use damaged equipment. Make sure the stand is stable. If any unsafe conditions are found, take it to a qualified technician for service or repair.

1. **BEFORE EACH USE**, inspect the general condition of the Stand. Check it for cracks, bends in the metal, signs of unusual wear or any other condition that may affect its safe operation. If any are found, do not use the Stand.
2. Keep Engine Stand clean and free of dirt or grease.
3. Before each use, check that hardware is securely fastened.
4. Check that the Casters are clean and turn properly.
5. **AFTER USE**, clean external surfaces of the stand with a clean, moist cloth.

Folding the Stand for Storage



1. Remove the forward R-pin (14).
2. Remove the Leg Lock Pin (13).
3. Fold up the Leg (17).

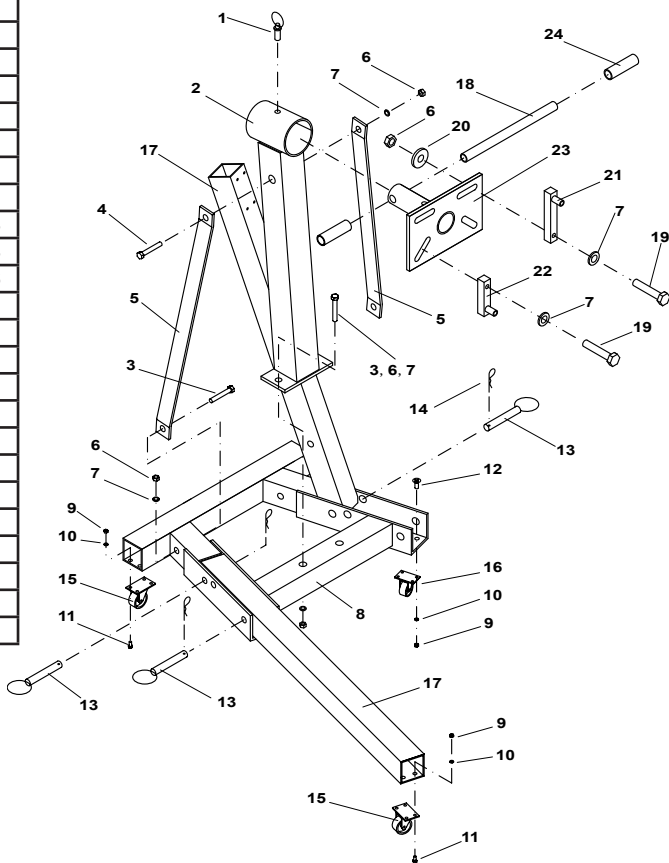


4. Insert the Leg Lock Pin (13) through the upper hole in the Base (8) so that it holds the Leg in place, and lock it in place with the R-pin.
5. Repeat for the other Leg.

WARNING! Do not use the Stand while it is folded. This is only for compact storage.

Parts List and Diagram

Part	Description	Qty
1	Pin	1
2	Column	1
3	Bolt M14×90	4
4	Bolt M14×100	1
5	Brace	2
6	M14 Nut	9
7	Ø14 Washer	9
8	Base	1
9	M8 Nut	24
10	Ø8 Spring Washer	24
11	Bolt M8×16	16
12	Bolt M8×16	8
13	Leg Lock Pin	4
14	R-pin	4
15	3-1/2" Caster	4
16	3" Caster	2
17	Leg	2
18	Handle	1
19	Bolt M14x70	4
20	Ø14 Fender Washer	4
21	Long Mounting Arm	2
22	Short Mounting Arm	2
23	Mounting Plate	1
24	Handle Grip	2



Record Serial Number Here: _____

Note: If product has no serial number, record month and year of purchase instead.

Note: Some parts are listed and shown for illustration purposes only, and are not available individually as replacement parts.

PLEASE READ THE FOLLOWING CAREFULLY

THE MANUFACTURER AND/OR DISTRIBUTOR HAS PROVIDED THE PARTS LIST AND ASSEMBLY DIAGRAM IN THIS DOCUMENT AS A REFERENCE TOOL ONLY. NEITHER THE MANUFACTURER OR DISTRIBUTOR MAKES ANY REPRESENTATION OR WARRANTY OF ANY KIND TO THE BUYER THAT HE OR SHE IS QUALIFIED TO MAKE ANY REPAIRS TO THE PRODUCT, OR THAT HE OR SHE IS QUALIFIED TO REPLACE ANY PARTS OF THE PRODUCT. IN FACT, THE MANUFACTURER AND/OR DISTRIBUTOR EXPRESSLY STATES THAT ALL REPAIRS AND PARTS REPLACEMENTS SHOULD BE UNDERTAKEN BY CERTIFIED AND LICENSED TECHNICIANS, AND NOT BY THE BUYER. THE BUYER ASSUMES ALL RISK AND LIABILITY ARISING OUT OF HIS OR HER REPAIRS TO THE ORIGINAL PRODUCT OR REPLACEMENT PARTS THERETO, OR ARISING OUT OF HIS OR HER INSTALLATION OF REPLACEMENT PARTS THERETO.

Limited 90 Day Warranty

Harbor Freight Tools Co. makes every effort to assure that its products meet high quality and durability standards, and warrants to the original purchaser that this product is free from defects in materials and workmanship for the period of 90 days from the date of purchase. This warranty does not apply to damage due directly or indirectly, to misuse, abuse, negligence or accidents, repairs or alterations outside our facilities, criminal activity, improper installation, normal wear and tear, or to lack of maintenance. We shall in no event be liable for death, injuries to persons or property, or for incidental, contingent, special or consequential damages arising from the use of our product. Some states do not allow the exclusion or limitation of incidental or consequential damages, so the above limitation of exclusion may not apply to you. THIS WARRANTY IS EXPRESSLY IN LIEU OF ALL OTHER WARRANTIES, EXPRESS OR IMPLIED, INCLUDING THE WARRANTIES OF MERCHANTABILITY AND FITNESS.

To take advantage of this warranty, the product or part must be returned to us with transportation charges prepaid. Proof of purchase date and an explanation of the complaint must accompany the merchandise. If our inspection verifies the defect, we will either repair or replace the product at our election or we may elect to refund the purchase price if we cannot readily and quickly provide you with a replacement. We will return repaired products at our expense, but if we determine there is no defect, or that the defect resulted from causes not within the scope of our warranty, then you must bear the cost of returning the product.

This warranty gives you specific legal rights and you may also have other rights which vary from state to state.

PITTSBURGH AUTOMOTIVE

3491 Mission Oaks Blvd. • PO Box 6009 • Camarillo, CA 93011 • (800) 444-3353