

Important Safety Information

1. Assemble only according to these instructions. Improper assembly can create hazards.
2. Wear ANSI-approved safety goggles and heavy-duty work gloves during assembly.
3. Keep assembly area clean and well lit.
4. Keep bystanders out of the area during assembly.
5. Do not assemble when tired or when under the influence of alcohol, drugs or medication.
6. Weight capacity and other product capabilities apply to properly and completely assembled product only.
7. Turn tool off and disconnect tool power before attaching tool to stand.
8. Follow tool instructions for mounting and operation.
9. Place stand on flat, level, sturdy surface capable of supporting stand, tool, and all workpieces.
10. Before use, secure the tool to the Tool Stand using appropriate hardware (not included). If tool does not bolt securely to stand, do not use it with this stand.
11. This product is not a toy. Do not allow children to play with or near this item.
12. Use as intended only.
13. Inspect before every use; do not use if parts are loose or damaged.
14. Do not exceed listed weight capacity. **Be aware of dynamic loading!** Sudden load movement may briefly create excess load causing product failure.
15. Maintain product labels and nameplates. These carry important safety information. If unreadable or missing, contact Harbor Freight Tools for a replacement.



Specifications

Dimensions	18-3/8" x 20-1/2" (Top) Up to 25.2" x 27.16" (Base–Leg Spread)
Maximum Weight Capacity	500 Lb.
Height Adjustment	3" Increments (26–29–32 inches)
Mounting Holes	8 Holes @ 0.310" Diameter
Leg Anchor Holes	4 Holes @ 0.310" Diameter



Assembly Instructions



Read the **ENTIRE IMPORTANT SAFETY INFORMATION** section at the beginning of this document including all text under subheadings therein before set up or use of this product.

Note: For additional information regarding the parts listed in the following pages, refer to the Assembly Diagram near the end of this manual.

Assembling Tool Stand

1. Position the four Extension Feet (6) on the bottom, outside edges of the four Legs (4).
2. The height of the Tool Stand may be adjusted to either 26, 29, or 32 inches. Slide the Extension Feet up or down along the bottom, outside edges of the Legs until the desired height of the Tool Stand is reached. Adjust the Feet to equal length.

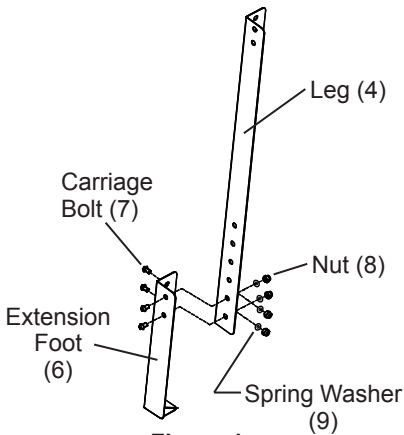


Figure 1

3. Insert four Carriage Bolts (7) through the four mounting holes in each Extension Foot and Leg. Attach Spring Washers (9), and Nuts (8) to the Carriage Bolts and loosely tighten.

4. Align the mounting hole located at each end of a Bottom Long Brace (2) with a mounting hole located on the lower, inside edges of two Legs.

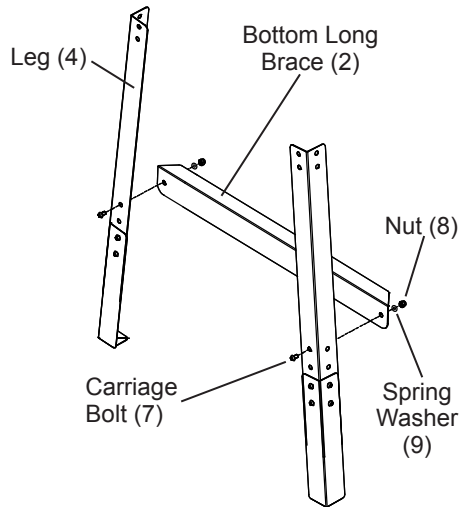


Figure 2

5. Insert two Carriage Bolts through the aligned mounting holes of the Bottom Long Brace and two Legs. Attach Spring Washers and Nuts to the Carriage Bolts and loosely tighten.
6. Repeat Steps #4 and #5 above to attach the remaining Bottom Long Brace to the two remaining Legs.

7. Position a Bottom Short Brace (5) with each of its ends aligned with the Bottom Long Braces.
8. Insert two Carriage Bolts through the aligned mounting holes of the two Legs and Bottom Short Brace. Attach Spring Washers and Nuts to the Carriage Bolts and loosely tighten.

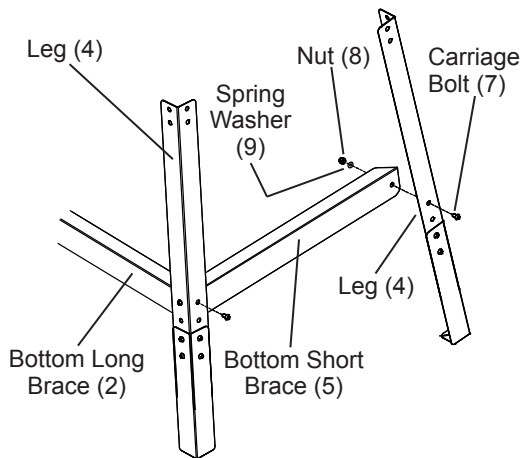


Figure 3

9. Repeat Steps #7 and #8 above to attach the remaining Bottom Short Brace to the remaining two Legs.

10. Align the mounting holes located at each end of a Top Long Brace (1) with the mounting holes located on the upper, inside edges of two Legs. Position it above one of the Bottom Long Braces.
11. Insert four Carriage Bolts (7) through the aligned mounting holes of the Top Long Brace (1) and two Legs (4). Attach Spring Washers (9) and Nuts (8) to the Carriage Bolts and loosely tighten.

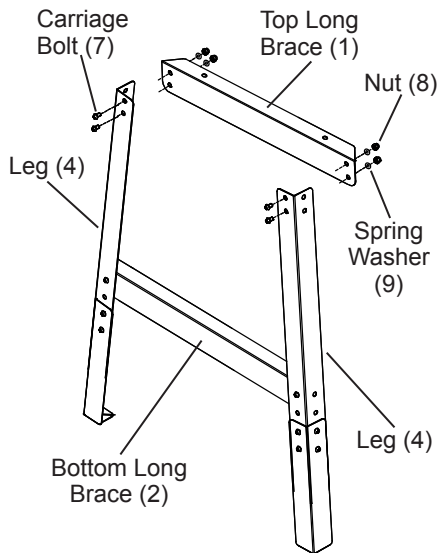


Figure 4

12. Repeat Steps #10 and #11 above to attach the remaining Top Long Brace to the two remaining Legs.

13. Position a Top Short Brace (3) with each of its ends aligned with the Top Long Braces.
14. Insert four Carriage Bolts through the aligned mounting holes of the two Legs and Top Short Brace. Attach Spring Washers and Nuts to the Carriage Bolts and loosely tighten.

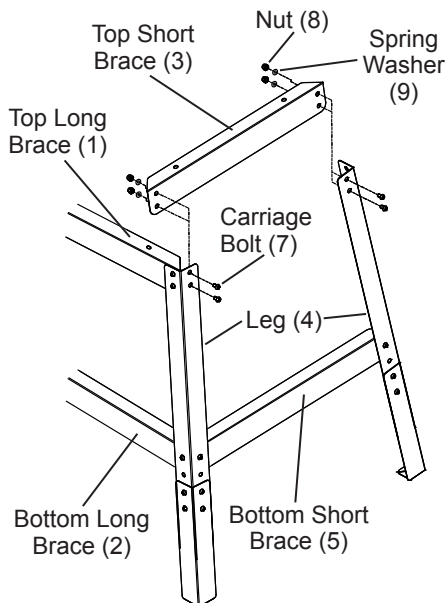


Figure 5

15. Repeat Steps #13 and #14 above to attach the remaining Top Short Brace to the remaining two Legs.

16. Place the Tool Stand at the location where it will be used. With the aid of a corner square and a level, make sure the top of the Tool Stand is level. Then, wrench tighten all of the Nuts.
17. Install tool to the top of the stand, bolting it in place in at least 4 places.

NOTE: A plywood top (not included) may be needed as an adapter to mount some tools. The diagram that follows shows approximate dimensions. Also, some tools may require a hole cut in the plywood to allow proper ventilation or sawdust removal—see tool instructions.

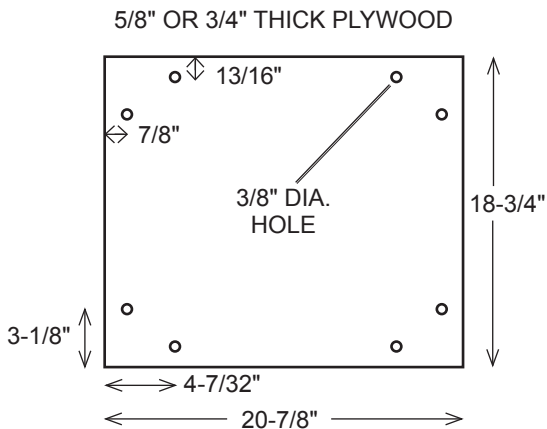


Figure 6



Maintenance and Servicing

⚠️WARNING

TO PREVENT SERIOUS INJURY:

Disconnect the power tool(s) mounted on the Tool Stand from their electrical or compressed air power sources before performing any inspection, maintenance, or cleaning on the Tool Stand.

Do not use damaged equipment. If abnormal noise or vibration occurs, turn off the tool that is mounted on the Tool Stand immediately and have the problem corrected before further use.

Inspection, Maintenance, and Cleaning

- BEFORE EACH USE**, inspect the general condition of the Tool Stand. Check for:
 - loose hardware
 - misalignment or binding of parts
 - loose or improper mounting of a tool
 - cracked or broken parts
 - any other condition that may affect its safe operation.
- To clean, wipe off stand with slightly moist cloth.



Record Serial Number Here:

Note: If product has no serial number, record month and year of purchase instead.

Note: Some parts are listed and shown for illustration purposes only, and are not available individually as replacement parts.



PLEASE READ THE FOLLOWING CAREFULLY

THE MANUFACTURER AND/OR DISTRIBUTOR HAS PROVIDED THE PARTS LIST AND ASSEMBLY DIAGRAM IN THIS DOCUMENT AS A REFERENCE TOOL ONLY. NEITHER THE MANUFACTURER OR DISTRIBUTOR MAKES ANY REPRESENTATION OR WARRANTY OF ANY KIND TO THE BUYER THAT HE OR SHE IS QUALIFIED TO MAKE ANY REPAIRS TO THE PRODUCT, OR THAT HE OR SHE IS QUALIFIED TO REPLACE ANY PARTS OF THE PRODUCT. IN FACT, THE MANUFACTURER AND/OR DISTRIBUTOR EXPRESSLY STATES THAT ALL REPAIRS AND PARTS REPLACEMENTS SHOULD BE UNDERTAKEN BY CERTIFIED AND LICENSED TECHNICIANS, AND NOT BY THE BUYER. THE BUYER ASSUMES ALL RISK AND LIABILITY ARISING OUT OF HIS OR HER REPAIRS TO THE ORIGINAL PRODUCT OR REPLACEMENT PARTS THERETO, OR ARISING OUT OF HIS OR HER INSTALLATION OF REPLACEMENT PARTS THERETO.

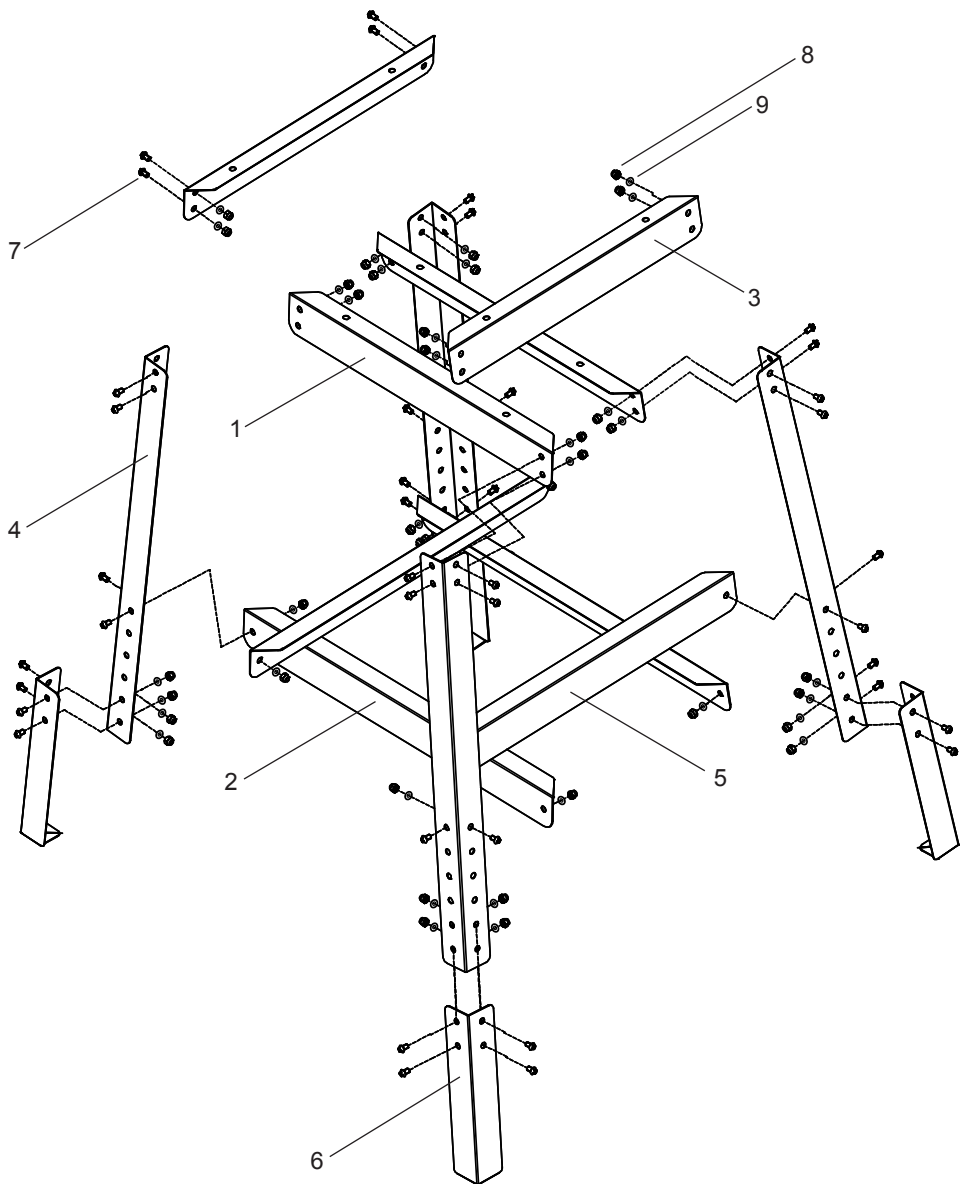


Parts List

Part	Description	Qty.
1	Top Long Brace 19.69" (500mm)	2
2	Bottom Long Brace 23.74" (603mm)	2
3	Top Short Brace 17.71" (450mm)	2
4	Leg 26.38" (670mm)	4
5	Bottom Short Brace 21.77" (553mm)	2
6	Extension Foot 9.76" (248mm)	4
7	Carriage Bolt M6	40
8	Nut M6	40
9	Spring Washer Ø6	40



Assembly Diagram



Limited 90 Day Warranty

Harbor Freight Tools Co. makes every effort to assure that its products meet high quality and durability standards, and warrants to the original purchaser that this product is free from defects in materials and workmanship for the period of 90 days from the date of purchase. This warranty does not apply to damage due directly or indirectly, to misuse, abuse, negligence or accidents, repairs or alterations outside our facilities, criminal activity, improper installation, normal wear and tear, or to lack of maintenance. We shall in no event be liable for death, injuries to persons or property, or for incidental, contingent, special or consequential damages arising from the use of our product. Some states do not allow the exclusion or limitation of incidental or consequential damages, so the above limitation of exclusion may not apply to you. THIS WARRANTY IS EXPRESSLY IN LIEU OF ALL OTHER WARRANTIES, EXPRESS OR IMPLIED, INCLUDING THE WARRANTIES OF MERCHANTABILITY AND FITNESS.

To take advantage of this warranty, the product or part must be returned to us with transportation charges prepaid. Proof of purchase date and an explanation of the complaint must accompany the merchandise. If our inspection verifies the defect, we will either repair or replace the product at our election or we may elect to refund the purchase price if we cannot readily and quickly provide you with a replacement. We will return repaired products at our expense, but if we determine there is no defect, or that the defect resulted from causes not within the scope of our warranty, then you must bear the cost of returning the product.

This warranty gives you specific legal rights and you may also have other rights which vary from state to state.

