

PREDATOR[®]

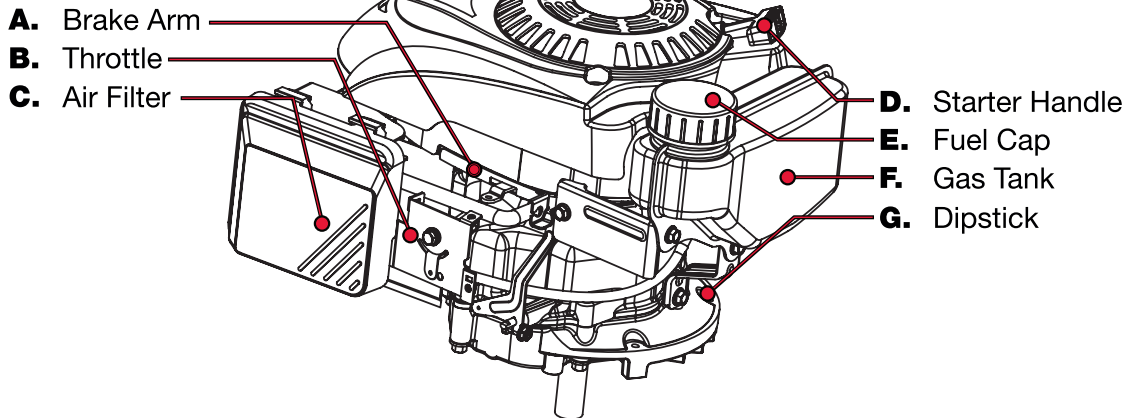
ENGINES

QUICK START GUIDE

Vertical Shaft Gas Engine

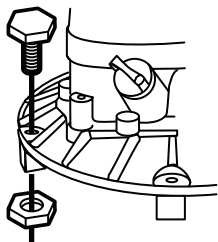
Item: 69731

Engine Components

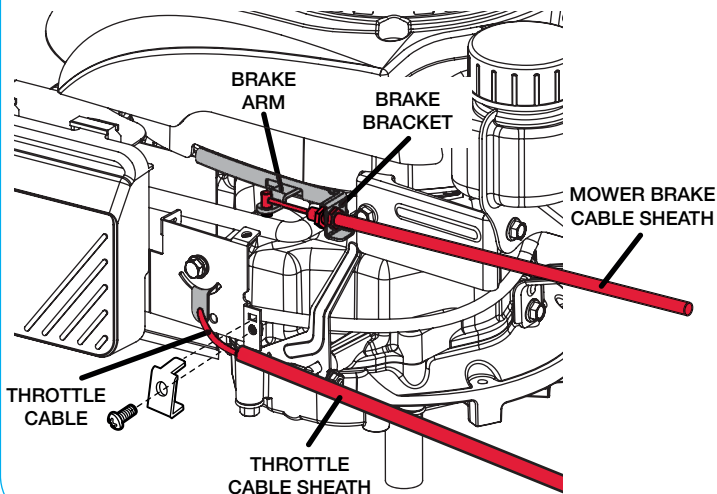


READ AND UNDERSTAND USER MANUAL BEFORE USE.

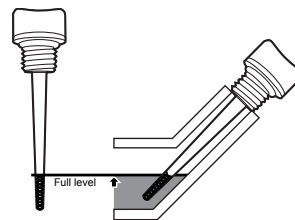
**Mount the engine
securely in place**



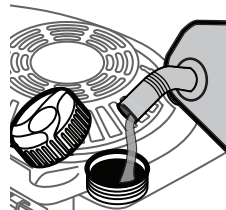
Attach Cables to Brake Arm and Throttle



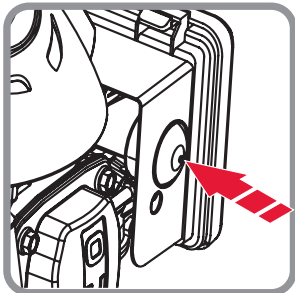
**Check engine for oil and
fuel on a flat surface. If
engine does not have the
recommended amount, fill as
shown below**



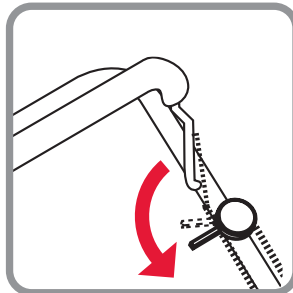
**Check engine fuel level
and add fuel to within
1" of the rim of the tank**



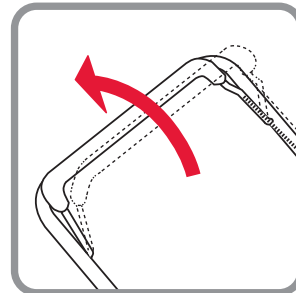
Starting Procedure



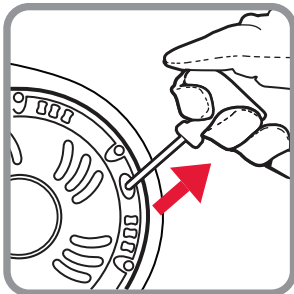
1. PRESS PRIMER TWICE



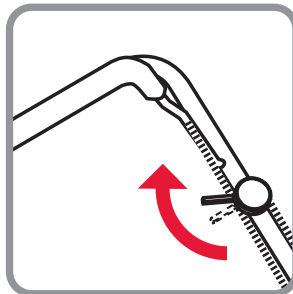
2. CLOSE THROTTLE*



3. HOLD MOWER HANDLES TOGETHER



4. PULL CORD



5. SLOWLY OPEN THROTTLE

*NOTE:
Location, operation
and design of
throttle may vary

IMPORTANT: Breaking-in the engine will help to ensure proper equipment and engine performance. The operational break-in period will last about 3 hours of use. During this period: • Do not apply a heavy load. • Do not operate the engine at its maximum speed.

Maintenance Schedule

To ensure prolonged life of your engine, perform regular maintenance as suggested in the table below.

Procedure	Before Each Use	Monthly or every 20 hr. of use	Every 3 mo. or 50 hr. of use	Every 6 mo. or 100 hr. of use	Yearly or every 300 hr. of use	Every 2 Years
Brush off outside of engine	✓	✓	✓	✓	✓	✓
Check engine oil level	✓	✓	✓	✓	✓	✓
Check air cleaner	✓		✓	✓	✓	✓
Check deposit cup	✓			✓	✓	✓
Change engine oil		✓		✓	✓	✓
Clean/replace air cleaner			✓*	✓	✓	✓
Check and clean spark plug				✓	✓	✓
Check/adjust idle speed						
Check/adjust valve clearance						
Clean fuel tank, strainer and carburetor					✓**	✓**
Clean carbon build-up from combustion chamber						
Replace fuel line if necessary						✓**

* Service more frequently when used in dusty areas.

** These items should be serviced by a qualified technician.

Visit our website at: <http://www.harborfreight.com>

Email our technical support at: productsupport@harborfreight.com

Email our engine support at: predator@harborfreight.com