

9 GALLON 7 HP WHEELBARROW AIR COMPRESSOR START UP GUIDE - PREPARE ENGINE & COMPRESSOR

1

Connect
Air Line to
Coupler.



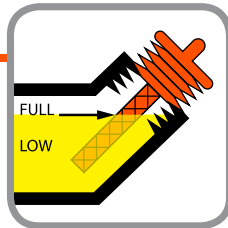
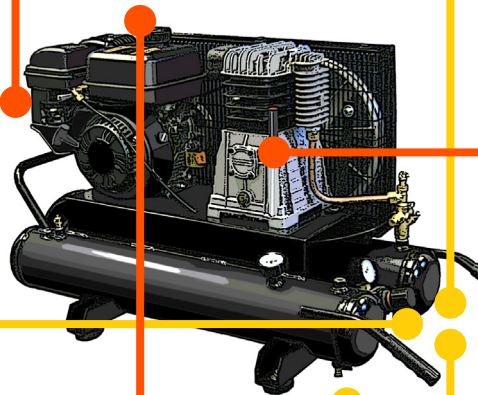
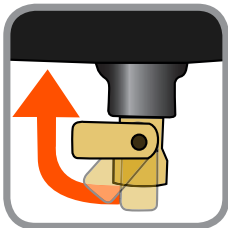
2

Close
Regulator
Knob
(counterclockwise).



3

Close both
Drain Valves.



4

Fill Engine with
oil through Oil Fill
hole

(Oil sold separately).



5

Fill Pump with oil.
Do not overfill

(Oil sold separately).



6

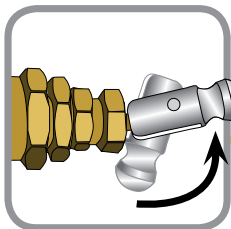
Fill Fuel
Tank with fuel

(Fuel sold separately).

START

7

Open Pilot Valve.



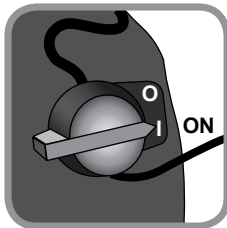
8

Adjust Choke and open Fuel Valve.



9

Turn Power on.



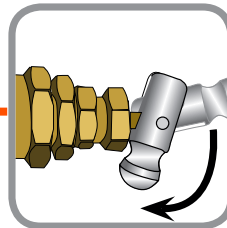
10

Pull Cord.



11

Move Choke to run.



12

Close Pilot Valve.

