

Owner's Manual & Safety Instructions

Save This Manual Keep this manual for the safety warnings and precautions, assembly, operating, inspection, maintenance and cleaning procedures. Write the product's serial number in the back of the manual (or month and year of purchase if product has no number). Keep this manual and the receipt in a safe and dry place for future reference.

23a

ARMSTRONG™

23" - 65" SINGLE STUD FULL-MOTION TV WALL MOUNT



Visit our website at: <http://www.harborfreight.com>
Email our technical support at: productsupport@harborfreight.com

70199

When unpacking, make sure that the product is intact and undamaged. If any parts are missing or broken, please call 1-888-866-5797 as soon as possible.

⚠️ WARNING

Read this material before using this product. Failure to do so can result in serious injury. **SAVE THIS MANUAL.**






Copyright© 2022 by Harbor Freight Tools®. All rights reserved.
No portion of this manual or any artwork contained herein may be reproduced in any shape or form without the express written consent of Harbor Freight Tools. Diagrams within this manual may not be drawn proportionally. Due to continuing improvements, actual product may differ slightly from the product described herein. Tools required for assembly and service may not be included.

Table of Contents

Safety	2	Parts List.....	10
Specifications	3	Warranty	12
Installation	4		

SAFETY

WARNING SYMBOLS AND DEFINITIONS

	This is the safety alert symbol. It is used to alert you to potential personal injury hazards. Obey all safety messages that follow this symbol to avoid possible injury or death.
	Indicates a hazardous situation which, if not avoided, will result in death or serious injury.
	Indicates a hazardous situation which, if not avoided, could result in death or serious injury.
	Indicates a hazardous situation which, if not avoided, could result in minor or moderate injury.
	Addresses practices not related to personal injury.

INSTALLATION

IMPORTANT SAFETY INFORMATION

Failure to heed these warnings may result in personal injury and/or property damage:

1. Do not exceed listed weight capacity. **Be aware of dynamic loading!** Sudden load movement may briefly create excess load causing product failure.
2. Do not mount to hollow wall, gypsum board, or similar material that will not support the weight of the TV. Mount only to structurally-sound 2" x 4" or larger wood stud or concrete walls that can safely support combined weight of TV Mount, TV and all attached hardware and components.
3. Verify that mounting surface has no hidden utility lines before drilling or driving screws.
4. Wear ANSI-approved safety goggles and heavy-duty work gloves during installation.
5. Inspect before installing; do not mount to wall if parts are missing, loose or damaged.
6. Assemble and install only according to these instructions. Improper assembly and installation can create hazards and lead to personal injury and property damage.
7. Keep installation area clean and well lit.
8. Do not assemble or install when tired or when under the influence of drugs or medication.
9. Weight capacity and other product capabilities apply to properly and completely assembled product only.
10. Use as intended only. Use to mount VESA compliant TV to vertical wall only. Do not mount overhead or to non-vertical surface.
11. This product is not a toy. Do not allow children to play with or near this item.
12. Maintain product labels and nameplates. These carry important safety information. If unreadable or missing, contact Harbor Freight Tools for a replacement.
13. The warnings, precautions, and instructions discussed in this instruction manual cannot cover all possible conditions and situations that may occur. It must be understood by the operator that common sense and caution are factors which cannot be built into this product, but must be supplied by the operator.
14. **Carefully read TV instructions before installation. Harbor Freight Tools is not responsible for damage caused by failure to follow TV mounting instructions, improper installation, or improper/loose hardware.**

PARTS LIST



SAVE THESE INSTRUCTIONS.

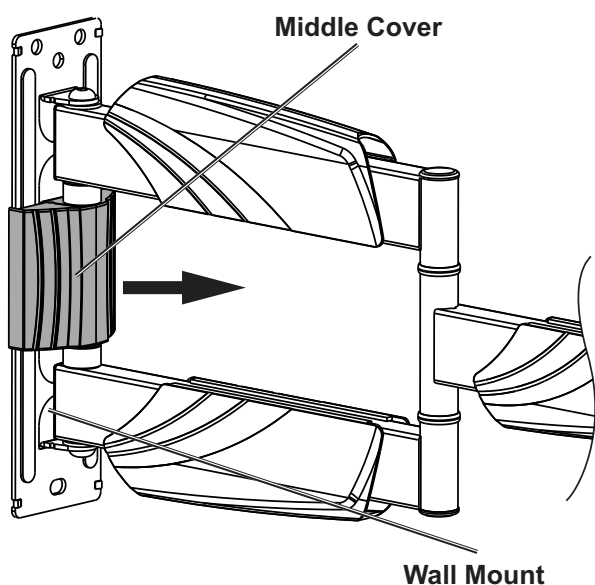
Specifications

Weight Capacity	77 lb
TV Size Range	23" - 65"
VESA Compliance (in mm)	75 x 75 100 x 100 200 x 100 200 x 200 300 x 200 400 x 200 300 x 300 400 x 300 400 x 400

SAFETY

Setup - Before Use:

Remove Middle Cover from Wall Mount.



INSTALLATION



PARTS LIST

Installation Instructions



Read the **ENTIRE IMPORTANT SAFETY INFORMATION** section at the beginning of this manual including all text under subheadings therein before set up or use of this product.

CAUTION

TO PREVENT INJURY: THIS BRACKET IS INTENDED FOR USE WITH A PRODUCT WEIGHING NOT MORE THAN 77 POUNDS AND HAVING DIMENSIONS THAT WILL PERMIT IT TO MOUNT EVENLY ON THIS BRACKET. (SEE INSTRUCTIONS.) USE WITH OTHER PRODUCTS MAY RESULT IN THE COLLAPSE OF THE MOUNT AND ITS ACCESSORIES CAUSING POSSIBLE INJURY.

Mount Wall Mount

Wood Studs

1. Verify wood stud is at least 2" x 4" in size. Use a stud finder (sold separately) to find stud and mark its location.

WARNING! TO PREVENT SERIOUS INJURY:

Verify that mounting surface has no hidden utility lines before drilling or driving screws.

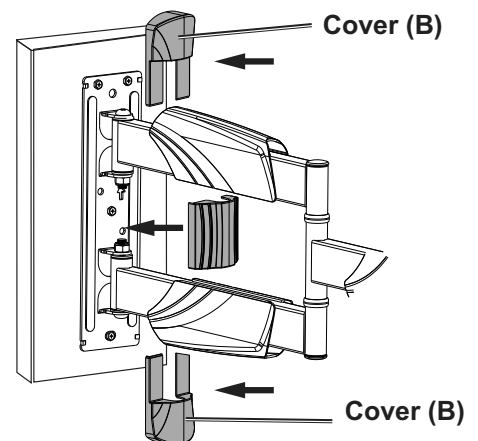
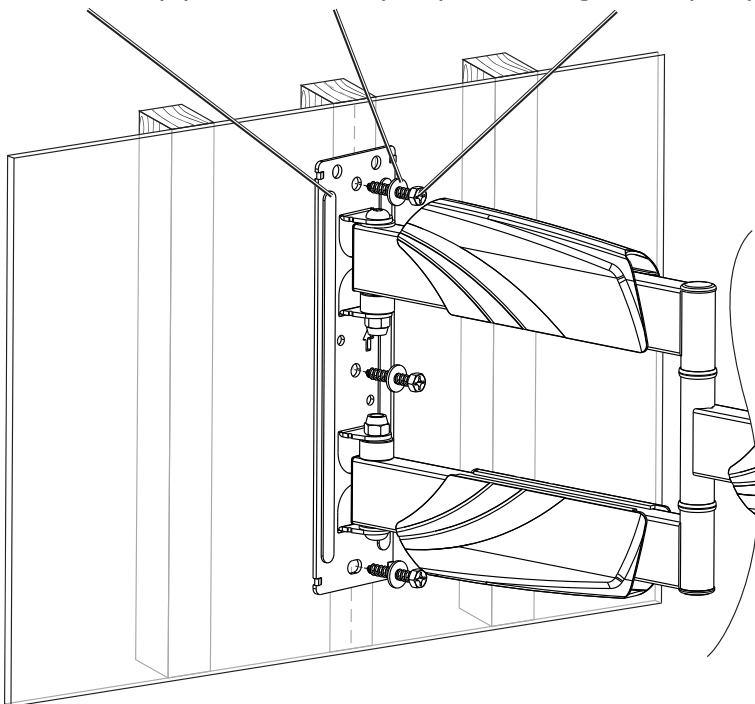
2. Set Wall Mount (A) against wall at desired height. Place a level (sold separately) on top of Wall Mount, adjust until level. Mark locations of mounting holes.
3. Drill three 3/16" holes 2-1/4" deep into stud at marked locations.

CAUTION! Only mount Wall Mount to wood studs.

Do not mount Wall Mount to drywall or plaster.

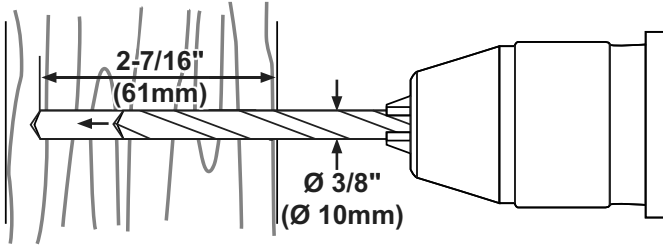
4. Use three Wall Lag Screws (W-A) and three D6 Washers (W-C) to mount Wall Mount to wood stud. Use a level to adjust the Wall Mount until it is completely level (sold separately) before final tightening of the Lag Screws.
5. Attach Covers (B) to Wall Mount and replace Middle Cover.

Wall Mount (A) D6 Washer (W-C) Wall Lag Screw (W-A)



Concrete

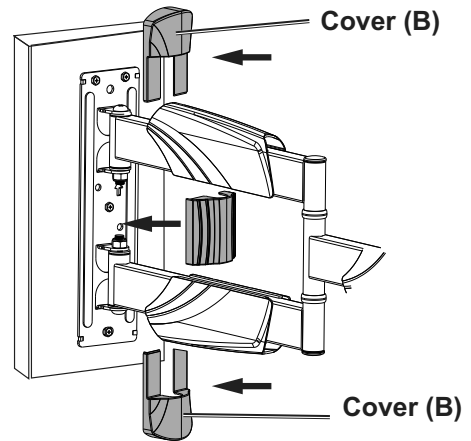
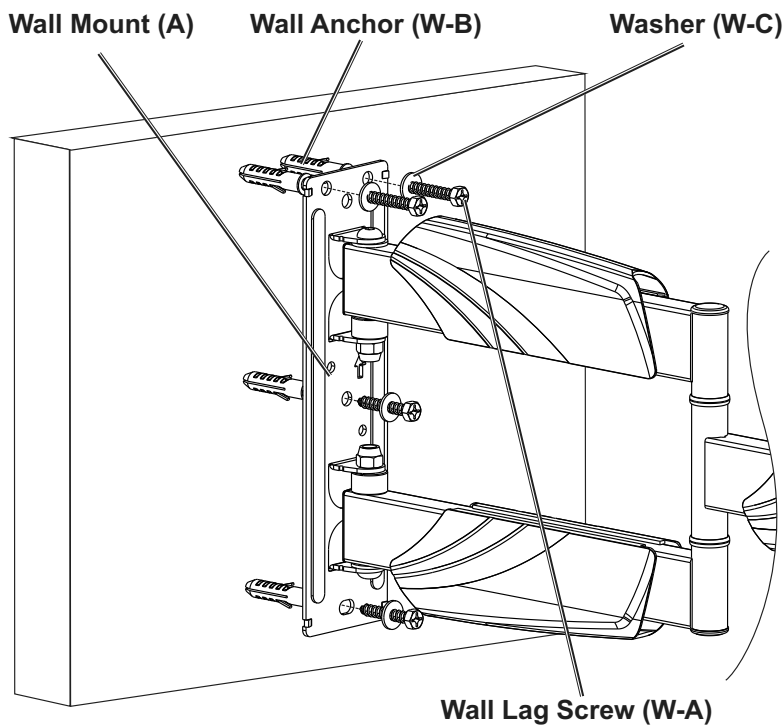
1. Set Wall Mount (A) against wall at desired height. Place a level (sold separately) on top of Wall Mount, adjust until level. Mark locations of the four mounting holes.
2. Using a 3/8" carbide tip masonry bit, drill four holes 2-7/16" deep at marked locations.



3. Insert four Wall Anchors (W-B) into holes, making sure they are flush with wall surface.

CAUTION! Wall anchors must be set firmly into concrete.

4. Use four Wall Lag Screws (W-A) and four D6 Washers (W-C) to mount Wall Mount to wall. Use a level (sold separately) to adjust the Wall Mount until it is completely level before final tightening of the Lag Screws.
5. Attach Covers (B) to Wall Mount and replace Middle Cover.



ARMSTRONG

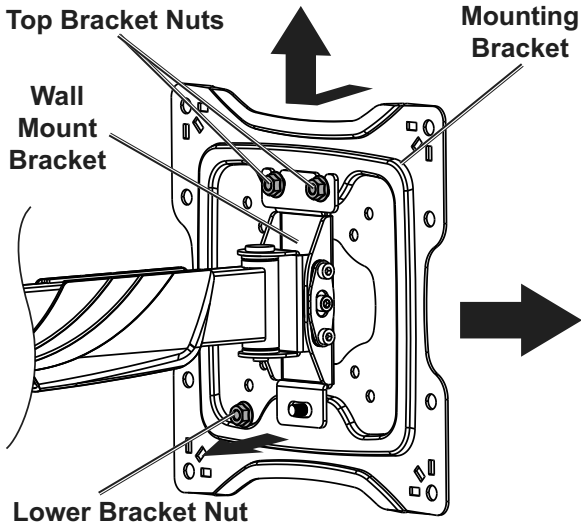
Mount TV Plate to TV

SAFETY

WARNING! TO PREVENT SERIOUS INJURY: To reduce risk of electric shock, unplug TV before threading screws into TV's back panel.

NOTICE: Consult TV owner's manual before attaching this Mount. Harbor Freight Tools is not responsible for damage caused by failure to follow TV mounting instructions, improper installation, or improper/loose hardware.

1. Loosen Top Bracket Nuts and remove Lower Bracket Nut.
2. Pull Mounting Bracket out from the bottom until threads are clear of the hole, then Lift up and pull out to remove Mounting Bracket from Wall Mount.
3. Cover TV screen with a towel or other soft material and tilt it against the wall or another solid surface. **Do not lay TV face down.**
4. Consult TV Owner's Manual to determine TV's VESA mounting pattern and hardware requirements.
5. Mounting Hardware:
 - a. Use mounting hardware that came with the TV, or
 - b. If the TV did not come with mounting hardware, select from included Screws and Washers (see Parts List on page 10).



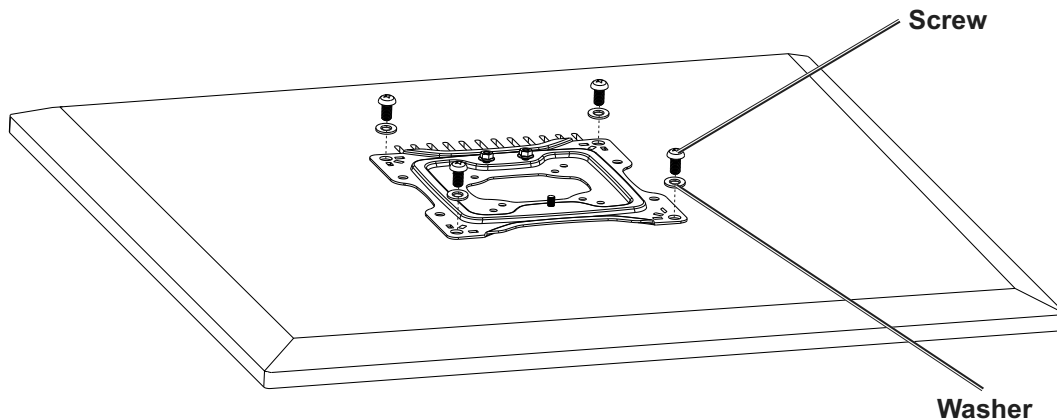
WARNING! To prevent serious injury, do not use hardware that does not match the TV's hardware, that is too long or too short, or overtighten the hardware. Doing so may damage the TV, create a shock hazard by electrifying the hardware/mount, and/or cause the TV to fall.

6. Select Mounting Instructions according to TV's mounting pattern.

INSTALLATION

Mounting Instructions for VESA 75 x 75, 100x100, 200x100, 200x200

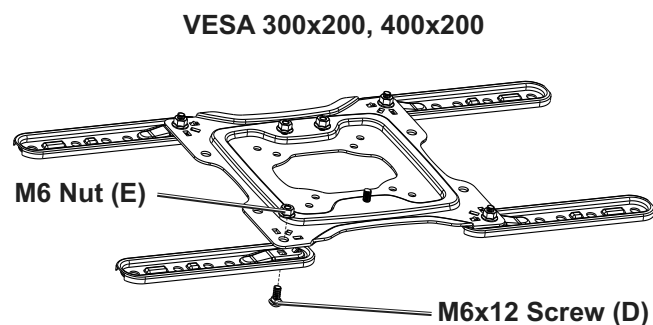
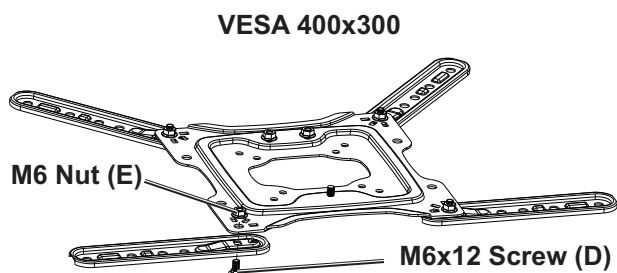
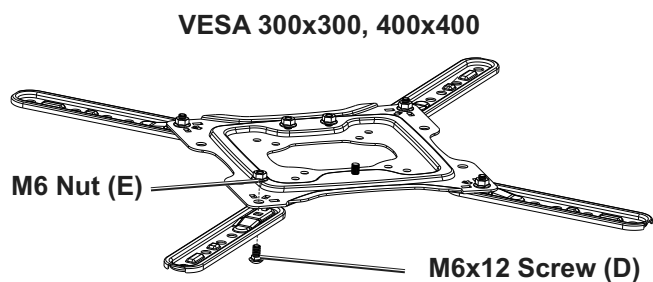
Attach Mounting Bracket directly to back of TV using appropriate Screws and Washers. Use included Spacers between the Mounting Bracket and TV as needed to prevent Screws from bottoming out.



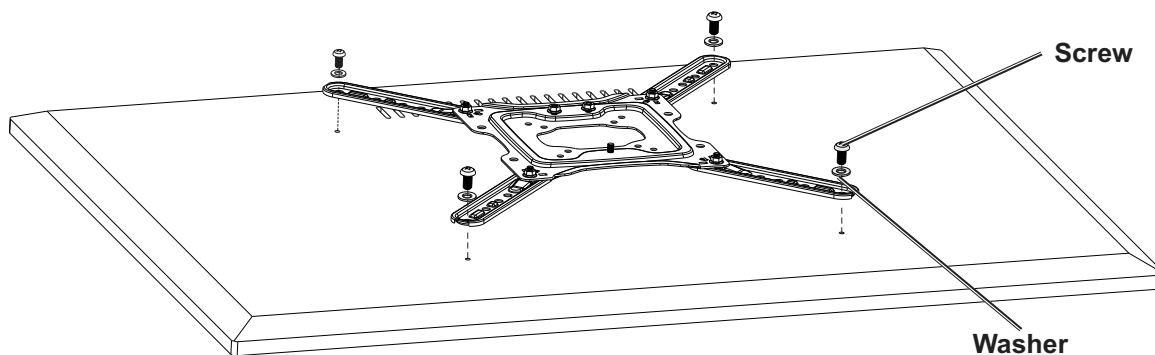
PARTS LIST

Mounting Instructions for VESA 300x200, 300x300, 400x200, 400x300, 400x400

1. Attach Extension Rods to Mounting Bracket with M6x12 Screw (D) and M6 Nut (E).



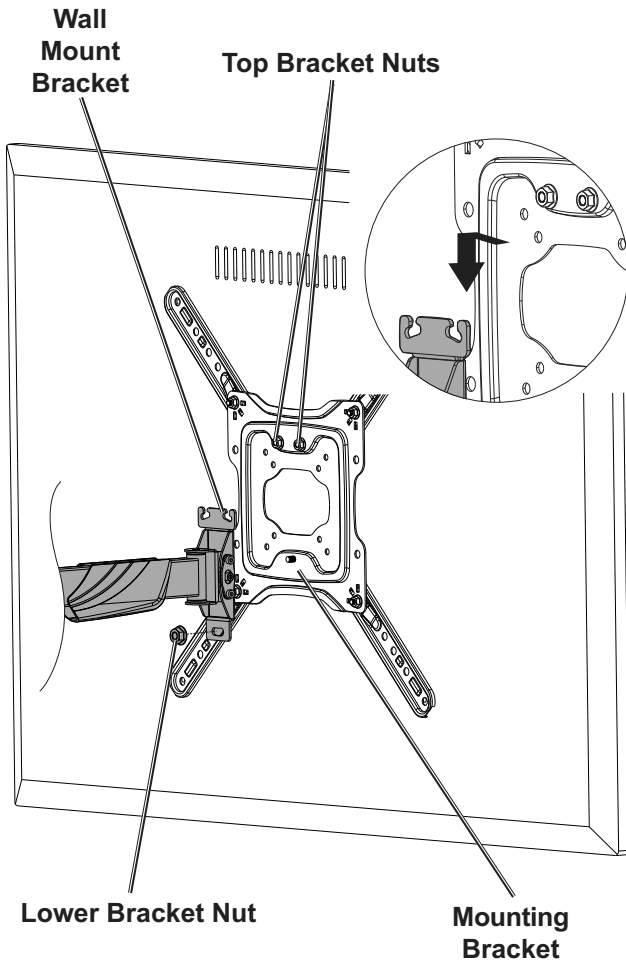
2. Attach Mount Bracket to Mounting Holes on TV using appropriate Screws and Washers. Use included Spacers between the Mounting Bracket and the TV as needed to prevent Screws from bottoming out.



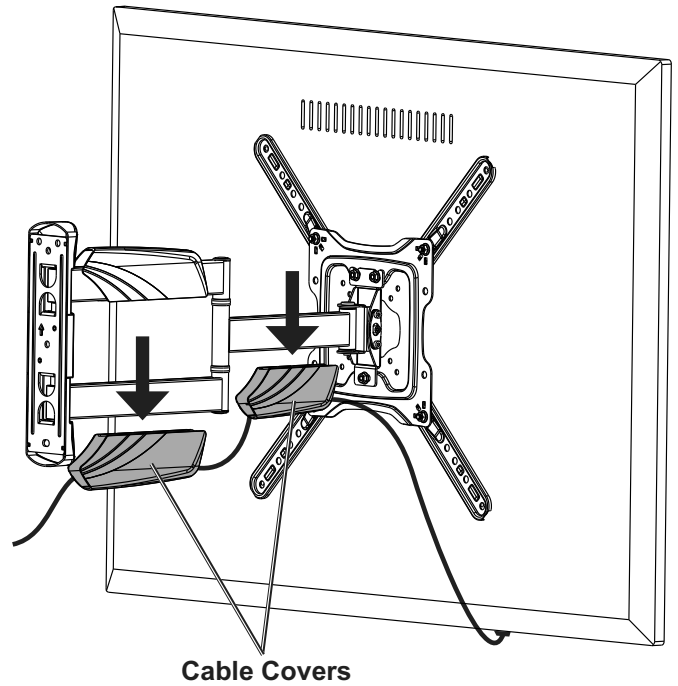
Mount TV to Wall Mount

SAFETY

1. With assistance, lift TV into place and lower onto the Wall Mount Bracket, making sure the hooks on the Wall Mount Bracket fit under the Top Bracket Nuts and the lower threads fit through the lower hole on the Wall Mount Bracket.
2. Fasten the Lower Bracket Nut and then the two top nuts. Tighten securely.



3. Remove Cable Covers.
4. Route cables through Cable Covers and replace.



INSTALLATION

PARTS LIST

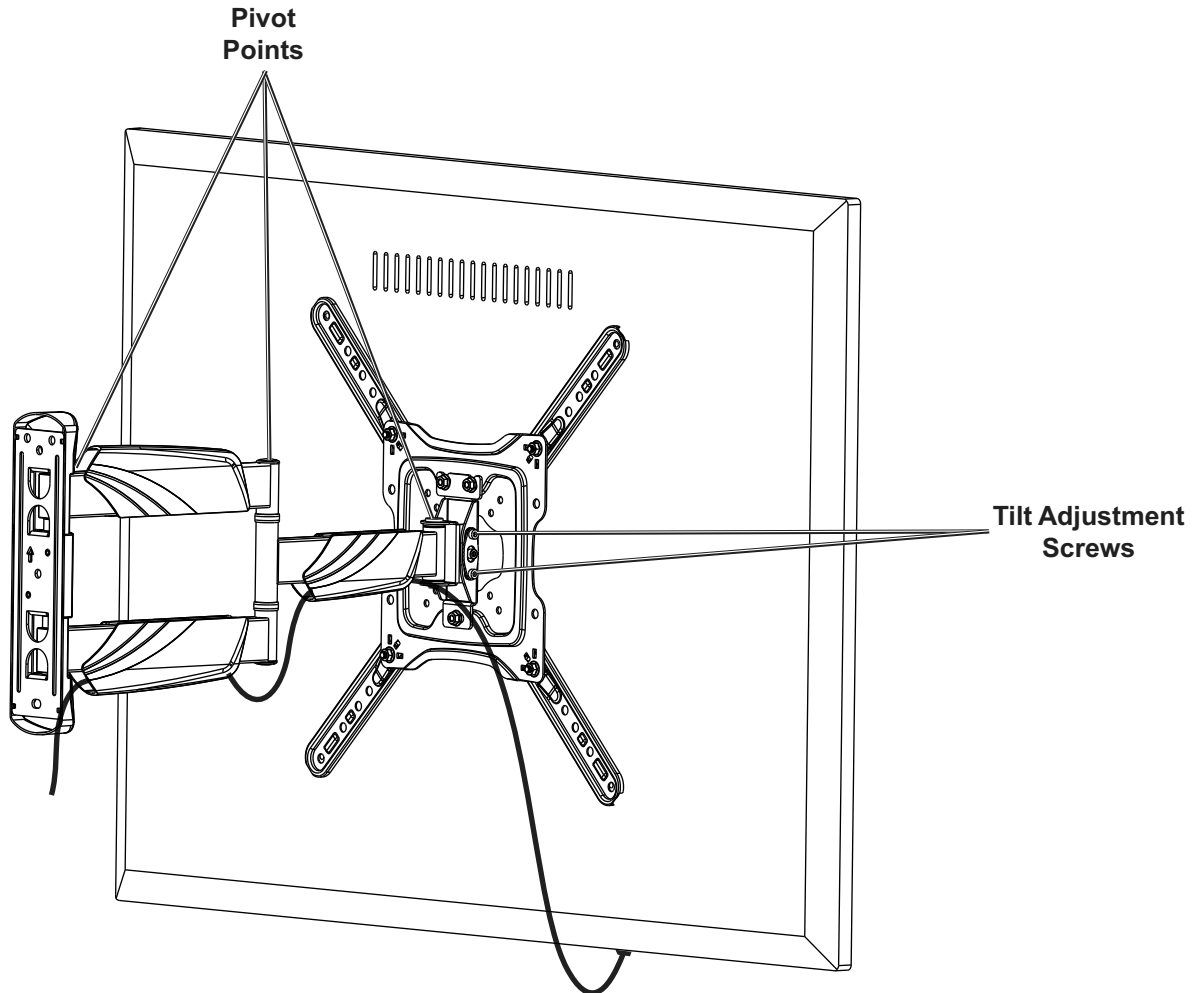
ARMSTRONG™

Adjustment

1. Adjust tilt if desired:
 - a. Loosen four Tilt Adjustment Screws (2 on each side).
 - b. Adjust tilt.
 - c. Tighten Tilt Adjustment Screws securely.
2. To swivel, move the mounted TV to the left or right or side-to-side. The Wall Mount has three pivot points.

CAUTION!: TO PREVENT INJURY, Do not loosen middle screws.

Note: Gently move the TV when changing its position. Do not force it or press on the screen directly.



ARMSTRONG

PLEASE READ THE FOLLOWING CAREFULLY

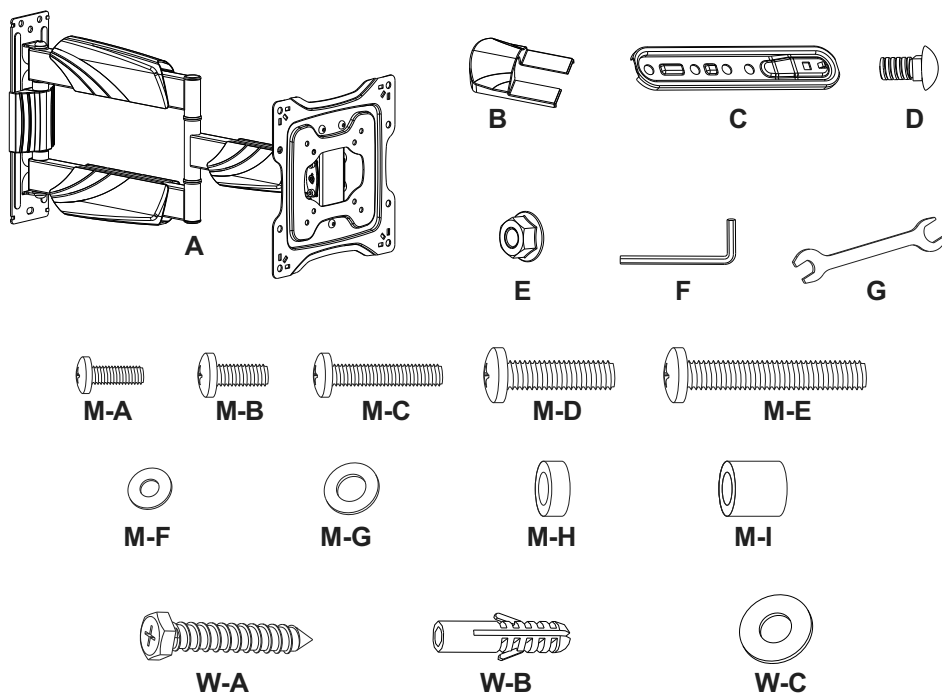
SAFETY

THE MANUFACTURER AND/OR DISTRIBUTOR HAS PROVIDED THE PARTS LIST IN THIS MANUAL AS A REFERENCE TOOL ONLY. NEITHER THE MANUFACTURER OR DISTRIBUTOR MAKES ANY REPRESENTATION OR WARRANTY OF ANY KIND TO THE BUYER THAT HE OR SHE IS QUALIFIED TO MAKE ANY REPAIRS TO THE PRODUCT, OR THAT HE OR SHE IS QUALIFIED TO REPLACE ANY PARTS OF THE PRODUCT. IN FACT, THE MANUFACTURER AND/OR DISTRIBUTOR EXPRESSLY STATES THAT ALL REPAIRS AND PARTS REPLACEMENTS SHOULD BE UNDERTAKEN BY CERTIFIED AND LICENSED TECHNICIANS, AND NOT BY THE BUYER. THE BUYER ASSUMES ALL RISK AND LIABILITY ARISING OUT OF HIS OR HER REPAIRS TO THE ORIGINAL PRODUCT OR REPLACEMENT PARTS THERETO, OR ARISING OUT OF HIS OR HER INSTALLATION OF REPLACEMENT PARTS THERETO.

Parts List

Part	Description	Qty
A	Wall Mount	1
B	Cover	2
C	Extension Rod	4
D	M6x12 Screw	4
E	M6 Nut	4
F	Hex Key 4mmx70mm	1
G	Hex Wrench	1
M-A	M5x14 Screw	4
M-B	M6x14 Screw	4
M-C	M6x30 Screw	4

Part	Description	Qty
M-D	M8x30 Screw	4
M-E	M8x50 Screw	4
M-F	D5 Washer	4
M-G	D8 Washer	4
M-H	5mm Spacer	8
M-I	15mm Spacer	8
W-A	Wall Lag Screw	4
W-B	Wall Anchor	4
W-C	D6 Washer	4



INSTALLATION

PARTS LIST

Record Product's Serial Number Here: _____

Note: If product has no serial number, record month and year of purchase instead.

Note: Some parts are listed and shown for illustration purposes only, and are not available individually as replacement parts. Specify UPC 193175492371 when ordering parts.

SAFETY

INSTALLATION

PARTS LIST

ARMSTRONGTM

Limited 90 Day Warranty

Harbor Freight Tools Co. makes every effort to assure that its products meet high quality and durability standards, and warrants to the original purchaser that this product is free from defects in materials and workmanship for the period of 90 days from the date of purchase. This warranty does not apply to damage due directly or indirectly, to misuse, abuse, negligence or accidents, repairs or alterations outside our facilities, criminal activity, improper installation, normal wear and tear, or to lack of maintenance. We shall in no event be liable for death, injuries to persons or property, or for incidental, contingent, special or consequential damages arising from the use of our product. Some states do not allow the exclusion or limitation of incidental or consequential damages, so the above limitation of exclusion may not apply to you. THIS WARRANTY IS EXPRESSLY IN LIEU OF ALL OTHER WARRANTIES, EXPRESS OR IMPLIED, INCLUDING THE WARRANTIES OF MERCHANTABILITY AND FITNESS.

To take advantage of this warranty, the product or part must be returned to us with transportation charges prepaid. Proof of purchase date and an explanation of the complaint must accompany the merchandise. If our inspection verifies the defect, we will either repair or replace the product at our election or we may elect to refund the purchase price if we cannot readily and quickly provide you with a replacement. We will return repaired products at our expense, but if we determine there is no defect, or that the defect resulted from causes not within the scope of our warranty, then you must bear the cost of returning the product.

This warranty gives you specific legal rights and you may also have other rights which vary from state to state.

ARMSTRONGTM

26677 Agoura Road • Calabasas, CA 91302 • 1-888-866-5797